



www.prolight.co.uk



DDP-405 Digital Dimmer Pack

(Order code: BOTE27)

User manual

WARNING

**FOR YOUR OWN SAFETY, PLEASE READ THIS USER MANUAL CAREFULLY
BEFORE YOUR INITIAL START-UP!**



CAUTION!

**Keep this equipment away from rain,
moisture and liquids.**



SAFETY INSTRUCTIONS

Every person involved with the installation, operation & maintenance of this equipment should:

- Be competent
- Follow the instructions of this manual



**CAUTION! TAKE CARE USING THIS EQUIPMENT!
HIGH VOLTAGE-RISK OF ELECTRIC SHOCK!!**



Before your initial start-up, please make sure that there is no damage caused during transportation. Should there be any, consult your dealer and do not use the equipment.

To maintain the equipment in good working condition and to ensure safe operation, it is necessary for the user to follow the safety instructions and warning notes written in this manual.

Please note that damages caused by user modifications to this equipment are not subject to warranty.

Warnings

IMPORTANT:

The manufacturer will not accept liability for any resulting damages caused by the non-observance of this manual or any unauthorised modification to the equipment.

- Never let the power-cable come into contact with other cables. Handle the power-cable and all mains voltage connections with particular caution!
- Never remove warning or informative labels from the equipment.
- Do not open the equipment and do not modify the equipment.
- Do not switch the equipment on and off in short intervals, as this will reduce the system's life.
- Only use the equipment indoors.
- Do not expose to flammable sources, liquids or gases.
- Always disconnect the power from the mains when equipment is not in use or before cleaning! Only handle the power-cable by the plug. Never pull out the plug by pulling the power-cable.
- Make sure that the available voltage is between 220v/240v.
- Make sure that the power-cable is never crimped or damaged. Check the equipment and the power-cable periodically.
- If the equipment is dropped or damaged, disconnect the mains power supply immediately.
Have a qualified engineer inspect the equipment before operating again.
- If the equipment has been exposed to drastic temperature fluctuation (e.g. after transportation), do not switch it on immediately. The arising condensation might damage the equipment. Leave the equipment switched off until it has reached room temperature.
- If your product fails to function correctly, discontinue use immediately. Pack the unit securely (preferably in the original packing material), and return it to your Prolight dealer for service.
- Only use fuses of same type and rating.
- Repairs, servicing and power connection must only be carried out by a qualified technician. **THIS UNIT CONTAINS NO USER SERVICEABLE PARTS.**
- **WARRANTY;** One year from date of purchase.

OPERATING DETERMINATIONS

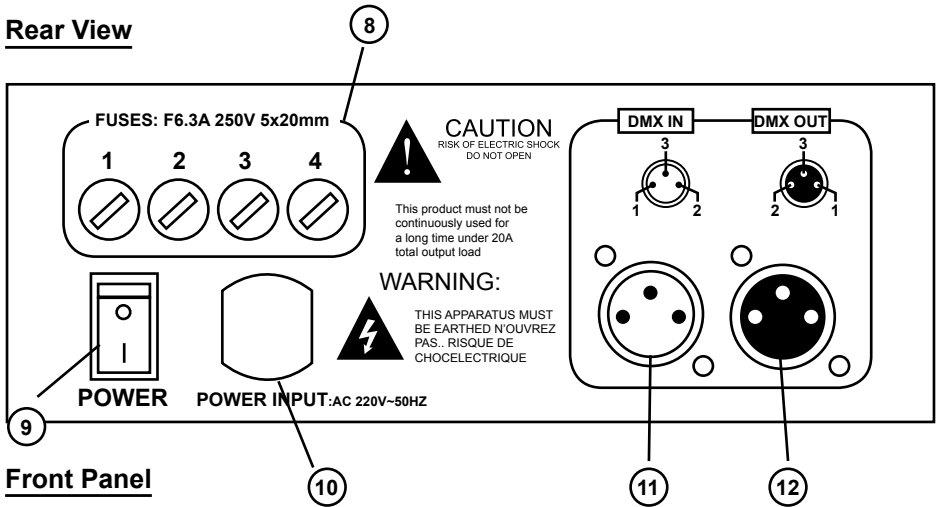
If this equipment is operated in any other way, than those described in this manual, the product may suffer damage and the warranty becomes void.

Incorrect operation may lead to danger e.g.: short-circuit, burns, electric shocks, lamp failure etc.

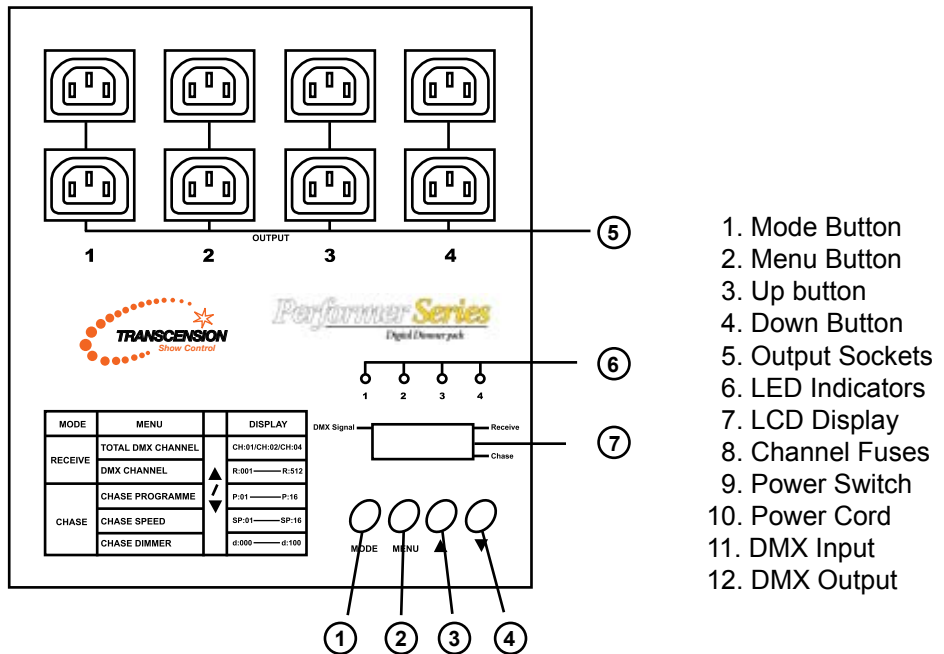
Do not endanger your own safety and the safety of others!
Incorrect installation or use can cause serious damage to people and property.

Functions and Controls

Rear View



Front Panel



1. Mode Button
2. Menu Button
3. Up button
4. Down Button
5. Output Sockets
6. LED Indicators
7. LCD Display
8. Channel Fuses
9. Power Switch
10. Power Cord
11. DMX Input
12. DMX Output

Overview Functions

- Mode Button:** This button will switch the unit between DMX mode and Chase mode.
- Menu Button:** This button will activate different functions in DMX mode or Chase mode.
- Up Button:** This button will increase the displayed value in the LCD display.
- Down Button:** This button will decrease the displayed value in the LCD display.
- Output Sockets:** These 8 IEC sockets are used to power the equipment.
- LED Indicators:** These LED indicators will illuminate when the corresponding channel is activated.
- Channel fuses:** Each of the four channels is protected by a 6.3A fuse. These fuses prevent the unit from overloading and being damaged. Be sure to always replace them with the exact same type fuses.
- Power Switch:** This switch controls the unit's main power.
- Power Cable:** Plug this cable into a rated main power supply for your area.
- DMX Input:** This connector allows the input of a DMX control signal.
- DMX Output:** This connector allows the output of a DMX control signal to the next device.

Operation

The unit has two switchable working modes. It can be used as a four channel chaser or as a 1, 2, or 4 channel DMX dimmer pack. Please follow up the instructions below to operate the unit for your desired performance.

Chase Mode

Choose this working mode only when you want the device to act as a 4-channel chaser. This device has 16 built-in programmes. You can select to run any of these programmes specifically, or set the unit to chase in a random sequence among all 16 built-in programmes for a more dramatic show effect. The chase speed can also be adjusted.

- 1) Connect your lighting effects to any of the 8 IEC sockets on the pack.
- 2) Use the "**MODE**" button to select Chase mode: Chase mode is indicated in the LCD display as "**PA**" followed by numbers 01-16.
"**PA**" stands for "**PROGRAMME APPLIED**".
If an "**A**" appears in the LCD display, it means you are in DMX mode, "**A**" stands for "**ADDRESS**".
- 3) Set your desired chase pattern: Once you have selected the chase function, use the "**MENU**" button to select your desired chase. The chase pattern is represented in the LCD display by "**P**" followed by two numbers. You may select any of the 16 built-in programmes to run at a single time.



www.prolight.co.uk

