



# **S2 Compact 2 Way DMX Splitter**



**User Manual**  
**Order Ref: BOTE62**

[www.prolight.co.uk](http://www.prolight.co.uk)

# SAFETY WARNINGS

## WARNING

**FOR YOUR OWN SAFETY, PLEASE READ THIS USER MANUAL CAREFULLY  
BEFORE YOUR INITIAL START-UP!**



## CAUTION!

**Keep this equipment away from rain,  
moisture and liquids.**



## SAFETY INSTRUCTIONS

Every person involved with the installation, operation and maintenance of this equipment should:  
Be competent & follow the instructions of this manual



**CAUTION! TAKE CARE USING THIS EQUIPMENT!  
HIGH VOLTAGE-RISK OF ELECTRIC SHOCK!!**



Before your initial start-up, please make sure that there is no damage caused during transportation.  
Should there be any, consult your dealer and do not use the equipment.

To maintain the equipment in good working condition and to ensure safe operation, it is necessary  
for the user to follow the safety instructions and warning notes written in this manual.

Please note that damages caused by user modifications to this equipment are not subject to warranty.

## IMPORTANT:

**The manufacturer will not accept liability for any resulting damages caused by the non-observance  
of this manual or any unauthorised modification to the equipment.**

- Never let the power cable come into contact with other cables. Handle the power cable and all mains voltage connections with particular caution!
- Never remove warning or informative labels from the unit.
- Do not open the equipment and do not modify the unit.
- Do not connect this equipment to a dimmer pack.
- Do not switch the equipment on and off in short intervals, as this will reduce the system's life.
- Only use the equipment indoors.
- Do not expose to flammable sources, liquids or gases.
- Always disconnect the power from the mains when equipment is not in use or before cleaning! Only handle the power-cable by the plug. Never pull out the plug by pulling the power-cable.
- Make sure that the available voltage is 9Vdc/800mA.
- Make sure that the power cable is never crimped or damaged. Check the equipment and the power cable periodically.
- This product is supplied with an AC/DC power adaptor. If the AC/DC adaptor is damaged or lost a replacement of the exact same specification must be purchased.
- If the equipment is dropped or damaged, disconnect the mains power supply immediately.
- Have a qualified engineer inspect the equipment before operating again.
- If the equipment has been exposed to drastic temperature fluctuation (e.g. after transportation), do not switch it on immediately. The arising condensation might damage the equipment. Leave the equipment switched off until it has reached room temperature.
- If your product fails to function correctly, discontinue use immediately. Pack the unit securely (preferably in the original packing material), and return it to your Prolight dealer for service.
- Only use fuses of same type and rating.
- Repairs, servicing and power connection must only be carried out by a qualified technician. **THIS UNIT CONTAINS NO USER SERVICEABLE PARTS.**
- **WARRANTY:** One year from date of purchase.

## OPERATING DETERMINATIONS

If this equipment is operated in any other way, than those described in this manual, the product may suffer damage and the warranty becomes void. Incorrect operation may lead to danger e.g: short-circuit, burns and electric shocks etc.

Do not endanger your own safety and the safety of others!

Incorrect installation or use can cause serious damage to people and property.

# SPECIFICATIONS

2 way DMX booster/distributor with one input and two outputs. Both DMX input and DMX output are provided with 3-pin XLR connectors, each DMX output has an independent driver.

- Compact 2 way DMX distributor with one input and two outputs
- 3-pin XLR input socket
- 3-pin XLR output socket per channel
- Each DMX output features an independent driver
- 100% electrical isolation between all inputs/outputs
- 9V DC-power adapter included

## DMX 512 connection:

The DMX booster/distributor can either be connected directly to the lighting controller or after a series of DMX fixtures.

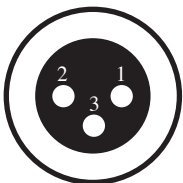
You can connect up to 31 DMX fixtures to every DMX output socket.

If you connect the booster after a DMX fixture the number of DMX units before the booster must not exceed 31.

Only use a 2-core shielded cable and 3-pin or 5-pin XLR connectors in order to connect the controller with the fixture or one fixture with another.

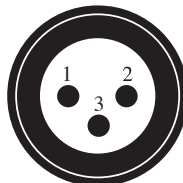
## XLR connection:

DMX output  
XLR mounting socket



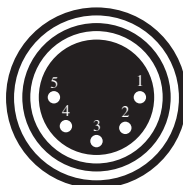
- 1: Ground
- 2: Signal (-)
- 3: Signal (+)

DMX input  
XLR mounting socket



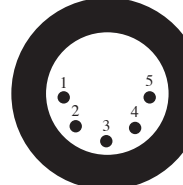
- 1: Ground
- 2: Signal (-)
- 3: Signal (+)

DMX output  
XLR mounting socket



- 1: Ground
- 2: Signal (-)
- 3: Signal (+)
- 4: Not used
- 5: Not used

DMX input  
XLR mounting socket



- 1: Ground
- 2: Signal (-)
- 3: Signal (+)
- 4: Not used
- 5: Not used

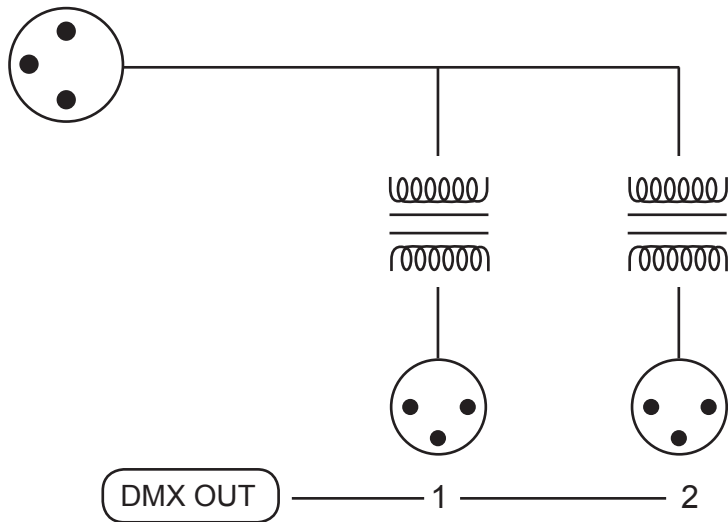
Connector pin assignment:  
• Pin 1: Signal common (shield)  
• Pin 2: Dimmer drive complement (data 1-)  
• Pin 3: Dimmer drive true (data 1+)  
• Pin 4: Option second data link complement (data 2-) (not used)  
• Pin 5: Option second data link complement (data 2+) (not used)

**Caution:** On the last fixture, the DMX cable has to be terminated with a terminator. Solder a 120Ω resistor between signal (-) and signal (+) into a 3-pin XLR plug and connect it to the DMX output of the last fixture. A ready made terminator can be purchased separate using order code CABL90.

After you have connected the fixtures to the mains, the S2 DMX Splitter is ready for use.

# OPERATING INSTRUCTIONS

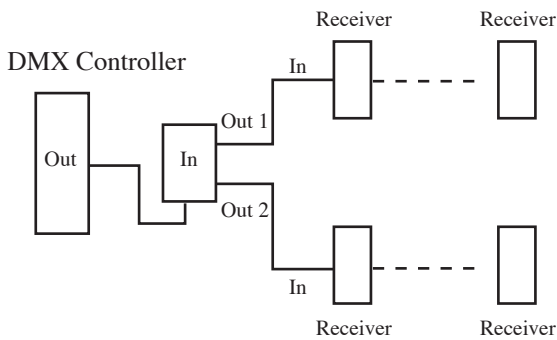
## Operating Instruction and Connection:



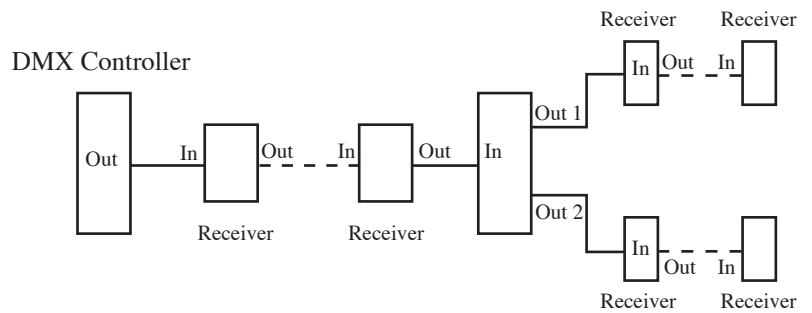
**DMX INPUT:** From the DMX transmitting fixture.

**DMX OUTPUT:** Connect to the DMX receiving fixture.

## Connection Diagram:



The receiver can not have more than 32 units on one output channel



The receiver can not have more than 31 units before the DMX Booster  
The receiver can not have more than 32 units on one output channel

## Technical Specifications:

Power supply: 9V DC 800mA

Dimensions: 100 x 75 x 40mm

Weight: 142g