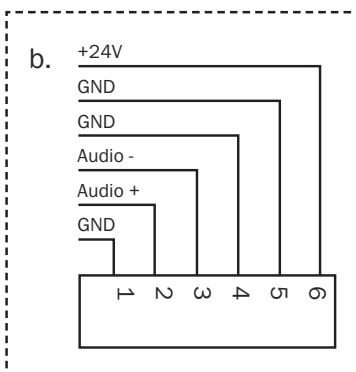
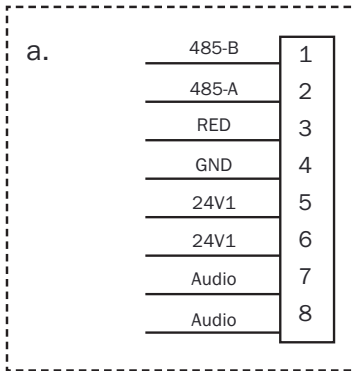
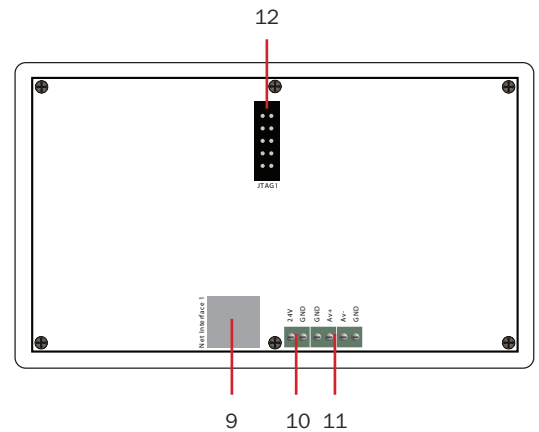
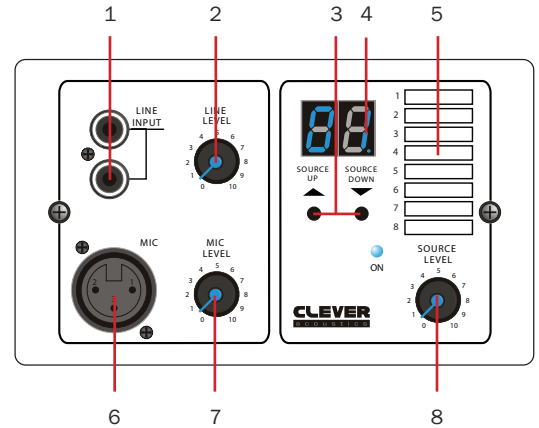


ZM8 Matrix Controller BW Wall Plate

The ZM8 BW Wall Plate is a remote control panel that works together with the ZM8 console to allow remote source selection, volume control and includes a local input panel.

- 01 - LED display** - The display will display the source channel 1 to 8 as '01 to 08' and the local input as 'L'.
- 02 - Source up/down** - The two buttons used to increase or decrease the input source channels from 1 to 8 and local input.
- 03 - LINE input** - This is the local line input via dual RCA type connectors.
- 04 - Label** - This is for the user to display the names of each source.
- 05 - Source level** - This is to increase/decrease the volume from low to high of the selected source output.
- 06 - LINE level** - This is to increase/decrease the volume from low to high of the local line input.
- 07 - MIC level** - This is to increase/decrease the volume from low to high of the local microphone input.
- 08 - MIC input** - This is the local microphone input via the XLR type connector.
- 09 - RJ45 communications port** - The RJ45 communication port is used to communicate between the wall plate and the Matrix. It will also be used to power the wall plate when the distance is less than or equal to 50m (see 'a' below).
- 10 - DC 24V input** - DC 24V input required to power the wall plate when the cable length is greater than 50m (see 'b' below).
- 11 - AUX output** - (see 'b' below).
- 12 - JTAG connector** - Only used for initial factory software upload.



Specifications	
Serial communication speed	4800bps
Communication port	RJ45
Communication protocol	RS485
Serial communication distance	1km maximum
MIC input sensitivity	5mV/600Ω, Phantom power: +12V
AUX input sensitivity	350mV/10kΩ
Audio output	0dB/600Ω
Frequency response	50Hz-18kHz (±1dB)
S/N ratio	MIC: >65dB, AUX: >75dB
THD	<0.1% @ 1kHz
Power consumption	5W
Power supply	DC 24V
Dimensions (H x W x D)	86 x 86 x 48mm
Weight	70g
Order code	CRAM19B

