

CLEVER

..... a c o u s t i c s

www.cleveracoustics.co.uk



VC 1000 100V 5 ZONE VOLUME CONTROL



Order code: CRVOL07

USER MANUAL

.....

WARNING



**FOR YOUR OWN SAFETY, PLEASE READ THIS USER MANUAL CAREFULLY
BEFORE YOUR INITIAL START-UP!**

	<p>CAUTION! INPUT VOLTAGE OF 70-100V</p>	
---	--	---

SAFETY INSTRUCTIONS

Every person involved with the installation, operation & maintenance of this equipment should:

- Be competent
- Follow the instructions of this manual

	<p>CAUTION! TAKE CARE USING THIS EQUIPMENT! HIGH VOLTAGE-RISK OF ELECTRIC SHOCK!!</p>	
---	---	---

Before your initial start-up, please make sure that there is no damage caused during transportation. Should there be any, consult your dealer and do not use the equipment.

To maintain the equipment in good working condition and to ensure safe operation, it is necessary for the user to follow the safety instructions and warning notes written in this manual.

Please note that damages caused by user modifications to this equipment are not subject to warranty.

IMPORTANT:

The manufacturer will not accept liability for any resulting damages caused by the non-observance of this manual or any unauthorised modification to the equipment.

- Never let the power-cable come into contact with other cables. Handle the power-cable and all mains voltage connections with particular caution!
- Never remove warning or informative labels from the equipment.
- Do not open the equipment and do not modify the equipment.
- Do not switch the equipment on and off in short intervals, as this will reduce the system's life.
- Do not expose to flammable sources or gases.
- Make sure that the speaker-cable is never crimped or damaged. Check the equipment and the speaker-cable periodically.
- If the equipment is dropped or damaged, disconnect the mains power supply immediately. Have a qualified engineer inspect the equipment before operating again.
- If your product fails to function correctly, discontinue use immediately. Pack the unit securely (preferably in the original packing material), and return it to your Prolight dealer for service.
- Repairs, servicing and power connection must only be carried out by a qualified technician. THIS UNIT CONTAINS NO USER SERVICEABLE PARTS.
- WARRANTY; One year from date of purchase.

OPERATING DETERMINATIONS

If this equipment is operated in any other way, than those described in this manual, the product may suffer damage and the warranty becomes void.

Incorrect operation may lead to danger e.g.: short-circuit, burns, electric shocks etc.

Do not endanger your own safety and the safety of others!
Incorrect installation or use can cause serious damage to people and property.

This 100V volume controller was designed specifically for use in permanent audio installations, where reliability and premium sound quality are a must. Highly rugged construction and design make this volume control perfect for continuous duty applications in situations where power will be left on for indefinite periods of time.

This 100V volume control is warranted from defects for one year from the date of purchase. Should your volume control require service, either within or beyond that warranty period, please contact your Prolight Dealer.

This unit includes a host of features, along with an impressive list of specifications, which are detailed over the next pages. Please take the time to read this document completely prior to installation of this product.

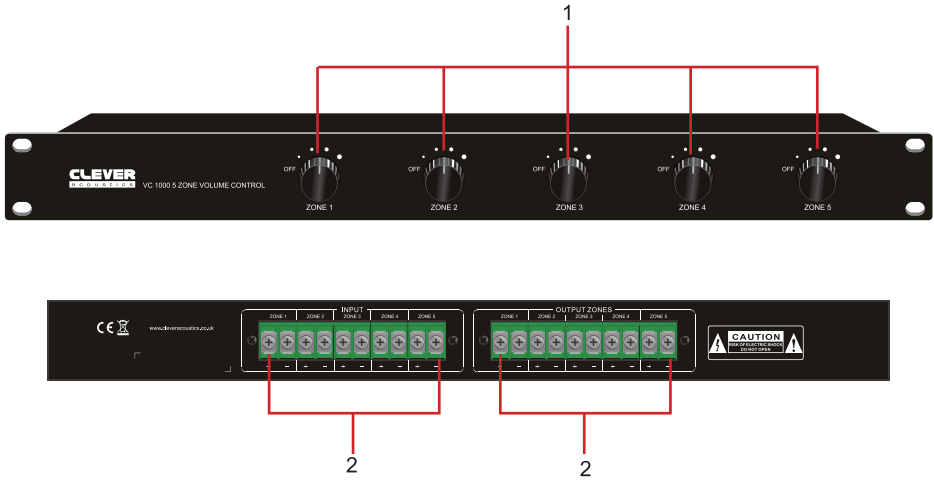
The VC 1000 volume controller is designed to suit all PA system application in schools, offices and stores.

Features

- 1U 19" rack mount chassis
- Low distortion, low noise components
- 5 channel speaker outputs (200W per channel, 1000W total)
- 5 channel amplifier inputs
- 5 step attenuation
- Rubber feet for desktop use
- Ideal for controlling volumes in speaker zones

Product	VC 1000
Rated output power:	1000W
Amplifier Inputs:	5
Outputs:	5 (200W per channel, 1000W total)
Attenuation steps:	4 + off
Frequency response:	100Hz - 16kHz (±1.5dB)
Dimensions (mm)	484 x 142 x 44
Weight:	4.45kg

Overview:

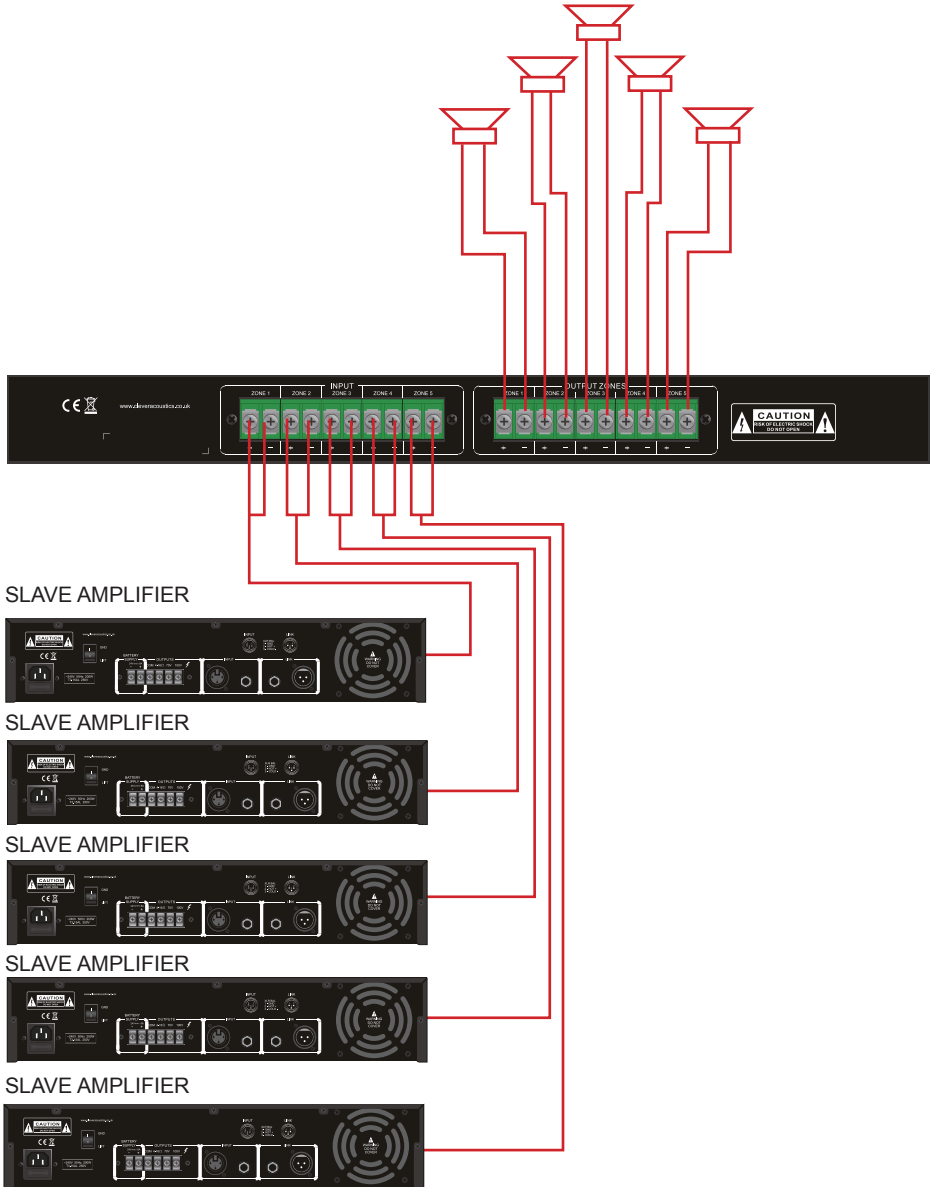


Identification:

- 1. Zone Volume controls** - Use the controls to increase or decrease the volume of the output speaker zones
- 2. Input connections** - Use these to connect your selected amplifier for the designated zones.
- 3. Output zones sockets** - Use these sockets to output to the designated speaker output zones.

NOTE: All connector covers must be in place to prevent risk from electric shock.

Connections:





**CAUTION - DANGER TO LIFE
SWITCH OFF AMPLIFIER AND DISCONNECT
THE SPEAKER BEFORE
STARTING MAINTENANCE**



Cleaning and Maintenance

We recommend a frequent cleaning of the product. Please use a soft lint free and moistened cloth. Never use alcohol or solvents.

There are no serviceable parts inside the product except for the fuse. Maintenance and service operations are only to be carried out by authorised dealers.

English



Correct Disposal of This Product (Waste Electrical & Electronic Equipment)

(Applicable in the European Union and other European countries with separate collection systems)

This marking shown on the product or its literature, indicates that it should not be disposed with other household wastes at the end of its working life. To prevent possible harm to the environment or human health from uncontrolled waste disposal, please separate this from other types of wastes and recycle it responsibly to promote the sustainable reuse of material resources.

Household users should contact either the retailer where they purchased this product, or their local government office, for details of where and how they can take this item for environmentally safe recycling.

Business users should contact their supplier and check the terms and conditions of the purchase contract. This product should not be mixed with other commercial wastes for disposal.

CLEVER

acoustics

www.cleveracoustics.co.uk

