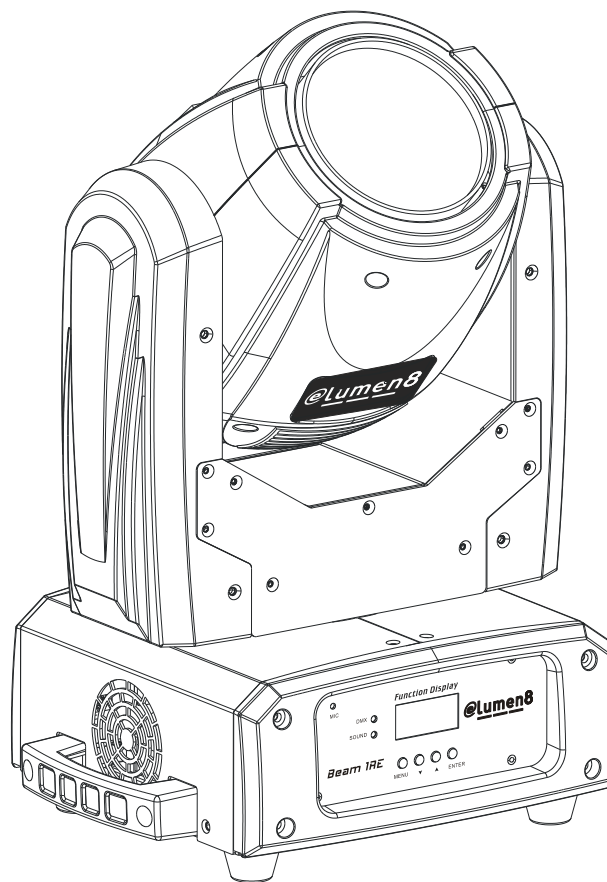


@Lumen8



Beam 1RE



Order Code: ELUM015

User Manual

www.prolight.co.uk

TABLE OF CONTENTS

1. Safety Instructions	2
2. Technical Specifications	4
3. Description.....	5
3.1 Control Panel	5
4. How To Set The Unit	5
4.1 Main Functions	5
4.2 Home Position Adjustment.....	10
4.3 Error Information.....	11
5. Control By Universal DMX Controller	12
5.1 Connection	12
5.2 Address Setting.....	13
5.3 DMX 512 Configuration	13
6. Troubleshooting.....	16
7. Maintenance and Cleaning	17

1. Safety Instructions



WARNING

Please read carefully the instruction manual, which includes important information about installation, usage and maintenance.

Please keep this User Guide for future consultation. If you sell the unit to another user, be sure that they also receive this instruction manual.

Important:

Damages caused by the disregard of this user manual are not subject to warranty. The dealer will not accept liability for any resulting defects or problems.

- Unpack and check carefully that there is no transportation damage before using the unit.
- The unit is for indoor use only. Use only in a dry location.
- Only to be installed and operated by qualified personnel.
- Do not allow children to operate the fixture.
- Use safety cables when installing the unit. Handle the unit by its base only. Do not carry with its head.
- The unit must be installed in a location with adequate ventilation, at least 50cm from adjacent surfaces.
- Be sure that no ventilation slots are blocked; otherwise the unit will overheat.
- Before operating, ensure that the voltage and frequency of power supply matches the power requirements of the unit.
- Always ground the yellow/green conductor to earth in order to avoid electric shock.
- Maximum ambient temperature TA: 40°C. Don't operate it when the temperature is higher.
- Do not connect the unit to a dimmer pack.
- Make sure there are no flammable materials close to the unit while operating.
- The Unit's surface temperature may reach up to 85°C. Do not touch the housing with bare hands during its operation, and allow about 15 minutes for the unit to cool down before replacing the lamp or maintenance as it could be very hot.
- Avoid any inflammable liquids, water or metal objects entering the unit. In the event of a problem cut off the mains power immediately.
- Do not operate in dirty or dusty environment; clean the unit regularly.
- Do not touch any power cables during operation as there may be a hazard of electric shock.
- The minimum distance between the light output lens and the illuminated surface must be

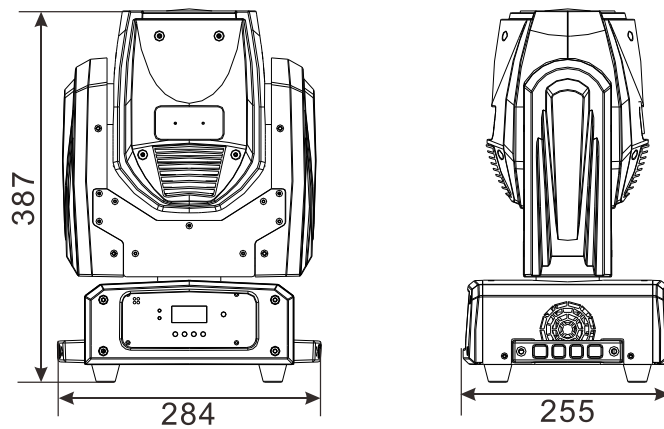
more than 12 meters.

- Disconnect mains power before fuse/lamp replacement or servicing.
- Replace fuse/lamp only with the same type.
- In the event of a serious operating problem, stop using the unit immediately.
- Never turn the unit on and off in short intervals.
- The housing, lenses, or the ultraviolet filter must be replaced if they are visibly damaged.
- Do not open the unit as there are no user serviceable parts inside.
- Do not attempt to repair the unit by yourself. Repairs carried out by unskilled people can lead to damage or malfunction. Please contact the nearest authorized technical assistance center if needed.
- Disconnect the mains power if the fixture is not to be used for a long time.
- Use the original packing materials before transporting the unit.
- To prevent or reduce the risk of electrical shock or fire, do not expose the unit to rain or moisture.
- Hot lamp explosion hazard. Do not open the unit within 15 minutes after switching off.
- Replace the lamp once it is damaged, deformed or past its expiry hours
- Do not look directly at the light while the lamp is on.
- Never touch the lamp with bare fingers, as it is very hot after use.
- Do not switch on the unit without lamp enclosure or when housing is damaged.

2. Technical Specification

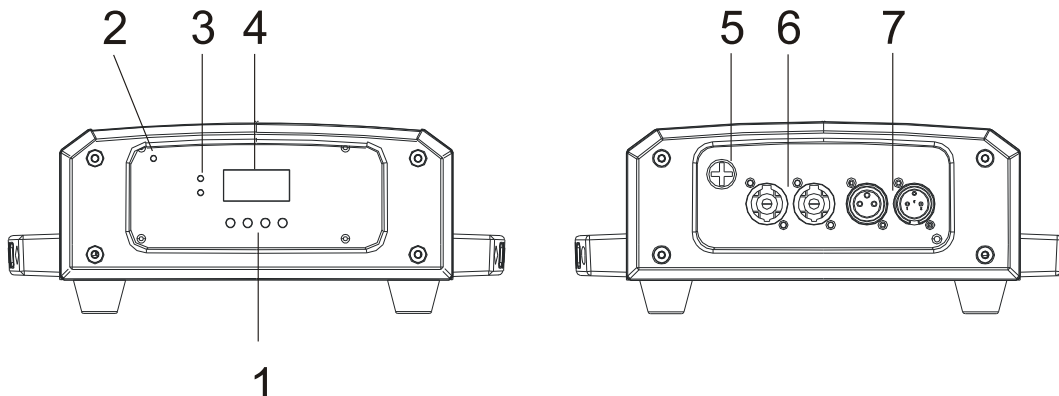
- DMX Channels: 12 channels
- Control mode: DMX, Master slave, Sound active
- LCD display
- One gobo wheel with 15 gobos plus open
- One colour wheel with 14 colours plus open
- 0~100% dimming and variable strobe speeds

- **Voltage:** AC 100~240V, 50/60Hz
- **Power Consumption:** 190W
- **LED:** OSRAM SIRIUS HRI 100W
- **Beam Angle:** 3°
- **Weight:** 9.2Kgs
- **Dimension:** 387 x 284 x 255mm



3. Description

3.1 Control Panel



1. Button:

MENU	To select the programming functions
▼ DOWN	To go forward in the selected functions
▲ UP	To go backward in the selected functions
ENTER	To confirm the selected functions

2. Microphone: To receive music for sound active;

3. LED:

DMX	On	DMX input present
SOUND	Flashing	Sound activation

4. Function Display: Used to show the various menus and selected functions;

5. Fuse(T5A): Protects the unit from over-voltage or short circuit;

6. Power In/out: Used to connect to supply power.

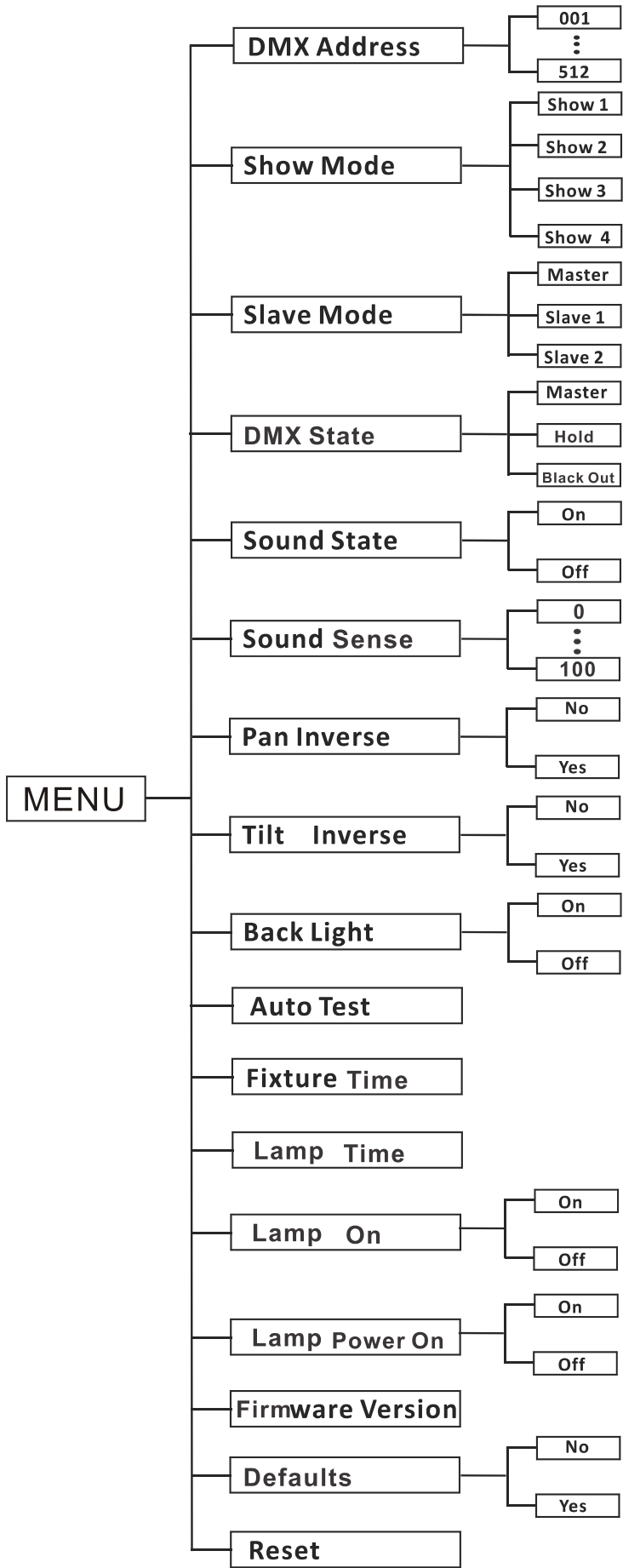
7. DMX In/out: 3-pin XLR connectors for DMX 512 operation;

4. How To Set The Unit

4.1 Main Function

Press the **MENU** button into menu mode, press the **UP** and **DOWN** buttons until the required function is shown on the display. Select the function by pressing the **ENTER** button. Use the **UP** and **DOWN** buttons to choose the submenu, press the **ENTER** button to store and automatically return to the last menu. Press the **MENU** button or leave the unit idle for one minute to exit the menu mode. In the event of power loss, press the **UP** button for one minute to enter into menu mode. Press the **MENU** button or leave the unit idle for one minute to exit.

The main functions are shown below:



DMX Address

To select the **DMX Address**, press the **ENTER** button to show **DMX ADDRESS** on the display. Use the **UP/DOWN** buttons to adjust the address from **001** to **512**. Once the address has been selected, press the **ENTER** button to setup. To go back to the functions without any changes press the **MENU** button again. Press and hold the **MENU** button for about one second or wait for one minute to exit the menu mode.

Show Mode

To select the **Show Mode**, press the **ENTER** button to show **SHOW MODE** on the display. Use the **UP/DOWN** buttons to select **Show 1** or **Show 2** or **Show 3** or **Show 4** Mode. Once the mode has been selected, press the **ENTER** button to setup. To go back to the functions without any changes press the **MENU** button again. Press and hold the **MENU** button for about one second or wait for one minute to exit the menu mode.

Slave/Master Mode

To select the **Slave Mode**, press the **ENTER** button to show **SLAVE MODE** on the display. Use the **UP/DOWN** buttons to select **Slave 1** (normal) or **Slave 2** (2 light show) or **Master mode**. Once the mode has been selected, press the **ENTER** button to setup. To go back to the functions without any changes press the **MENU** button again. Press and hold the **MENU** button for about one second or wait for one minute to exit the menu mode.

DMX State

To select the **DMX State**, press the **ENTER** button to show **DMX STATE** on the display. Use the **UP/DOWN** buttons to select the **Master** (fixture enters master mode), **Hold** (fixture continues to obey the last command it received via DMX) or **Blackout** (blackout). Once selected, press the **ENTER** button to setup. To go back to the functions without any changes press the **MENU** button again. Press and hold the **MENU** button for about one second or wait for one minute to exit the menu mode.

Sound State

To select the **Sound State**, press the **ENTER** button to show **SOUND STATE** on the display. Use the **UP/DOWN** buttons to select the **On** (sound on) or **Off** (sound off) mode. Once the mode has been selected, press the **ENTER** button to setup. To go back to the functions without any changes press the **MENU** button again. Press and hold the **MENU** button for about one second or wait for one minute to exit the menu mode.

Sound Sense

To select the **Sound Sense**, press the **ENTER** button to show **SOUND SENSE** on the display. Use the **UP/DOWN** buttons to adjust the value from **0** to **100**. Once the mode has been selected, press the **ENTER** button to setup. To go back to the functions without any changes press the **MENU** button again. Press and hold the **MENU** button for about one second or wait for one minute to exit the menu mode.

Pan Inverse

To select the **Pan Inverse**, press the **ENTER** button to show **PAN INVERSE** on the display. Use the **UP/DOWN** buttons to select the **Inverse** (pan inversion) or **Normal** (normal) mode. Once the mode has been selected, press the **ENTER** button to setup. To go back to the functions without any changes press the **MENU** button again. Press and hold the **MENU** button for about one second or wait for one minute to exit the menu mode.

Tilt Inverse

To select the **Tilt Inverse**, press the **ENTER** button to show **TILT INVERSE** on the display. Use the **UP/DOWN** buttons to select **Inverse** (tilt inversion) or **Normal** (normal) mode. Once the mode has been selected, press the **ENTER** button to setup. To go back to the functions without any changes press the **MENU** button again. Press and hold the **MENU** button for about one second or wait for one minute to exit the menu mode.

Back Light

To select the **Back Light**, press the **ENTER** button to show **BACK LIGHT** on the display. Use the **UP/DOWN** buttons to select the **On** (LED display always on) or **Off** (LED display off when not use). Once selected, press the **ENTER** button to setup. To go back to the functions without any changes press the **MENU** button again. Press and hold the **MENU** button for about one second or wait for one minute to exit the menu mode.

Auto Test

To select the **Auto Test**, press the **ENTER** button and the unit will run a self-test via its built-in programs. To go back to the functions press the **MENU** button again. Hold and press the **MENU** button about one second or wait for one minute to exit the menu mode.

Fixture Time

To select the **Fixture Time**, press the **ENTER** button and the display will show the number of working hours of the unit. To go back to the functions press the **MENU** button again. Press and hold the **MENU** button about one second or wait for one minute to exit the menu mode.

Lamp Time

To select the **Lamp Time**, press the **ENTER** button and the display will show the number of working hours of the lamp. To go back to the functions press the **MENU** button again. Press and hold the **MENU** button about one second or wait for one minute to exit the menu mode.

Lamp On

To select the **Lamp On**, press the **ENTER** button to show the **LAMP ON** on the display. Use the **UP/DOWN** buttons to select the **On** (Lamp on) or **Off** (Lamp off). Once selected, press the **ENTER** button to setup. To go back to the functions without any changes press the **MENU** button again. Press and hold the **MENU** button for about one second or wait for one minute to exit the menu mode.

Lamp Power On

To select the **Lamp Power On**, press the **ENTER** button to show the **LAMP POWER ON** on the display. Use the **UP/DOWN** buttons to select the **On** (Lamp on when power on) or **Off** (Lamp off when power off). Once selected, press the **ENTER** button to setup. To go back to the functions without any changes press the **MENU** button again. Press and hold the **MENU** button for about one second or wait for one minute to exit the menu mode.

Firmware Version

To select the **Firmware Version**, press the **ENTER** button and the display will show the version of software of the unit. To go back to the functions press the **MENU** button again. Press and hold the **MENU** button about one second or wait for one minute to exit the menu mode.

Defaults

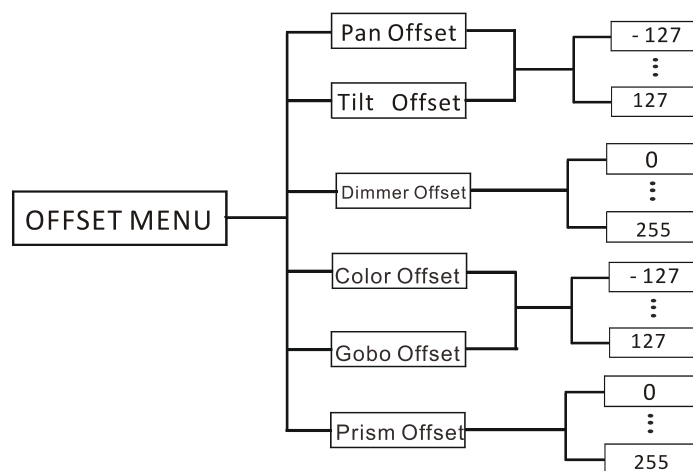
To select the **Defaults**, press the **ENTER** button to show **PRO DEFAULTS** on the display. Use the **UP/DOWN** buttons to select **Yes** (run built-in program to set the fixture to PRO Defaults settings) or **No**. Once selected, press the **ENTER** button to setup. To go back to the functions without any changes press the **MENU** button again. Press and hold the **MENU** button for about one second or wait for one minute to exit the menu mode.

Reset

To select **Reset**, press the **ENTER** button and all channels of the unit will return to their standard positions.

4.2 Home Position Adjustment

Press and hold the **MENU** button for at least 3 seconds then press and hold the **ENTER** button for at least 5 seconds to enter into offset mode to adjust the home position for the motors. Use the **Up** and **Down** buttons to adjust the value, press the **ENTER** button to setup. To go back to the functions without any changes press the **MENU** button.



PAN OFFSET —Pan home position adjustment

To select the **Pan Offset**, press the **ENTER** button to show **PAN OFFSET** on the display. Use the **UP** and **DOWN** buttons to adjust the value from -127 to 127, press the **ENTER** button to store. Press the **MENU** button to exit.

TILT OFFSET —Tilt home position adjustment

To select the **Tilt Offset**, press the **ENTER** button to show **TILT OFFSET** on the display. Use the **UP** and **DOWN** buttons to adjust the value from -127 to 127, press the **ENTER** button to store. Press the **MENU** button to exit.

DIMMER OFFSET —Dimmer flag position adjustment

To select the **Dimmer Offset**, press the **ENTER** button to show **DIMMER OFFSET** on the display. Use the **UP** and **DOWN** buttons to adjust the value from 0 to 255, press the **ENTER** button to store. Press the **MENU** button to exit.

COLOUR OFFSET —Colour home position adjustment

To select the **Colour Offset**, press the **ENTER** button to show the **COLOUR OFFSET** on the display. Use the **UP** and **DOWN** buttons to adjust the value from -127 to 127, press the **ENTER** button to store. Press the **MENU** button to exit.

GOBO OFFSET —Gobo home position adjustment

To select the **Gobo 1 Offset**, press the **ENTER** button to show **GOBO OFFSET** on the display. Use the **UP** and **DOWN** buttons to adjust the value from -127 to 127, press the **ENTER** button to store. Press the **MENU** button to exit.

Prism OFFSET —Prism home position adjustment

To select the **Prism Offset**, press the **ENTER** button to show **PRISM OFFSET** on the display. Use the **UP** and **DOWN** buttons to adjust the value from 0 to 255, press the **ENTER** button to store. Press the **MENU** button to exit.

4.3 Error Information

Lamp Startup Fail

It appears when there is no lamp fitted or the lamp has failed.

Temperature Sense Error

It appears when temperature check board is damaged.

Lamp Too Hot Power Off

It appears when the temperature is detected higher than 110°C. Check if the unit is properly ventilated, or the fans are faulty.

Lamp Too Hot Low Power

It appears when temperature is detected higher than 105°C, the unit will run on a low power level.

Maintenance Fixture

It appears when the maintenance remaining time becomes 0S, please enter menu mode and reset the time.

Lamp On Over 700 Hour

It appears when the lamp has been on over 700 hours, please turn off the lamp.

Memory Initial Fail

It appears when the memory IC is damaged.

CPU-B Error, CPU-C Error, CPU-D Error

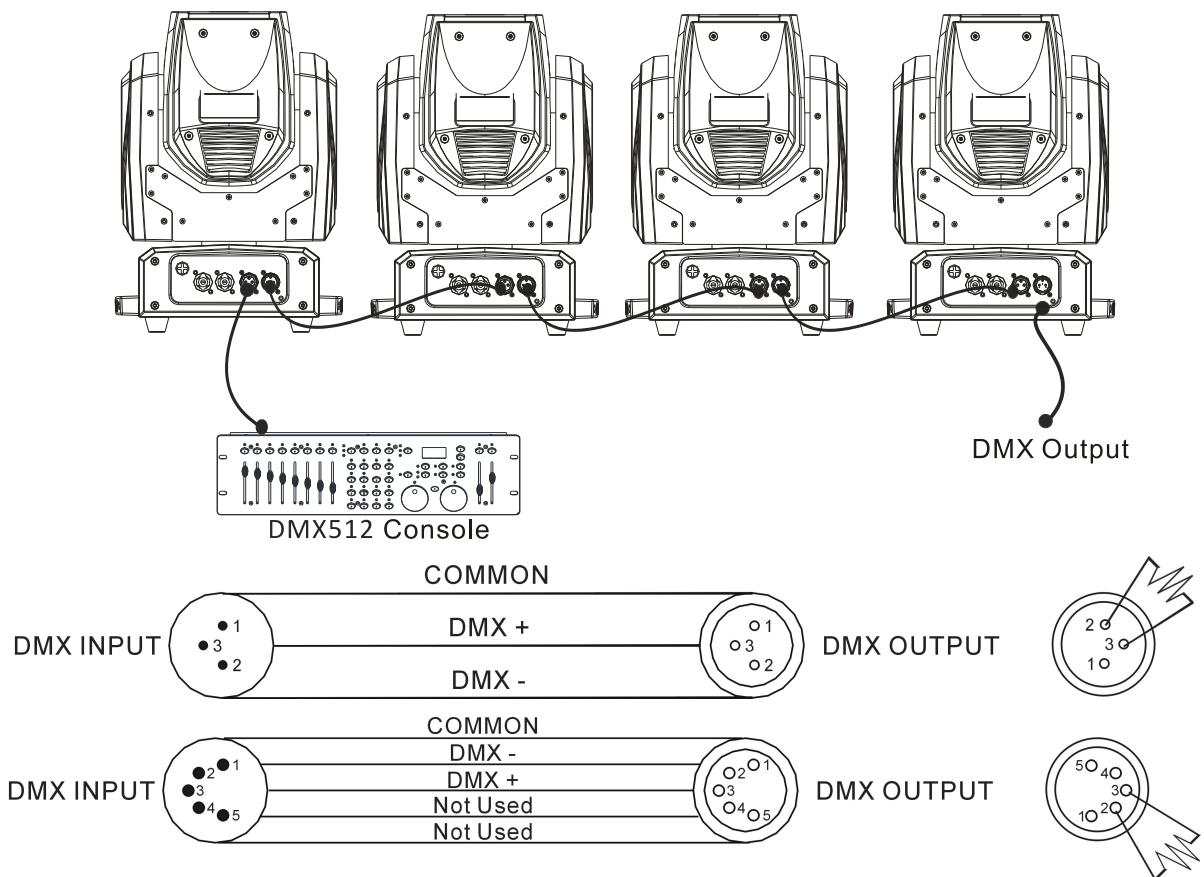
They appear when a PCB board or cables are damaged.

Pan Reset Error, Pan Encode Error, Tilt Reset Error, Tilt Encode Error, Shutter Reset Fail, Dimmer Reset Fail, Color Reset Fail, Gobo Reset Fail, Focus Reset fail.

They may appear when turning on or resetting the unit or when a PCB is damaged. Please contact qualified maintenance.

5. Control By Universal DMX Controller

5.1 Connection



1. At last unit, the DMX cable has to be terminated with a terminator. Solder a 120-ohm 1/4W resistor between pin 2 (DMX-) and pin 3 (DMX+) into a 3-pin XLR-plug and plug it in the DMX-output of the last unit.

2. Connect the unit together in a "daisy chain" by XLR plug cable from the output of the unit to the

input of the next unit. The cable cannot be branched or split to a “Y” cable. DMX 512 is a very high-speed signal. Inadequate or damaged cables can easily distort the signal and shut down the system.

3. The DMX output and input connectors are a pass-through type to maintain the DMX circuit, when one of the units’ power is disconnected.
4. Each unit needs to have a DMX address to receive the data by the controller. The address number is between 0-511 (usually 0 & 1 are equal to 1).
5. The end of the DMX 512 system should be terminated to reduce signal errors.

6.3

3 pin XLR: Pin 1: GND, Pin 2: Negative signal (-), Pin 3: Positive signal (+)

5 pin XLR: Pin 1: GND, Pin 2: Negative signal (-), Pin 3: Positive signal (+), Pin4, Pin5 not used.

5.2 Address Setting

If you use a universal DMX controller to control the units, you have to set DMX address from 1 to 512 so that the units can receive DMX signal.

Press MENU button to enter the menu mode, select **DMX Functions** and press the ENTER button to confirm. Use the UP and DOWN buttons to select **DMX Address**, press the ENTER button to confirm, the present address will blink on the display, use the UP and DOWN buttons to adjust the address from 1 to 512, press the ENTER button to store. Press the MENU button to go back to the last menu or leave the unit idle for one minute to exit menu mode.

Please refer to the following diagram to address your DMX 512 channels for the first 4 units.

Channel mode	Unit 1 Address	Unit 2 Address	Unit 3 Address	Unit 4 Address
12 channels	1	13	25	37

5.3 DMX 512 Configuration

12 Channels Mode:

CHANNEL	VALUE	FUNCTION
1	000-255	PAN 0° - 540°

2	000-255	PAN FINE
3	000-255	TILT 0° - 220°
4	000-255	TILT FINE
5	000-255	PAN/TILT SPEED fast → slow
6	000-255	DIMMER 0%~100%
7	000-007 008-015 016-131 132-139 140-181 182-189 190-231 232-239 240-247 248-255	STROBE: Standby Open Strobe: Slow → Fast Open Fast Close Slow Open Open Fast Open Slow Close Open Random Strobe Open
8	000-008 009-016 017-025 026-033 034-042 043-050 051-059 060-067 068-076 077-084 085-093 094-101 102-110 111-118 119-127 128-189 190-193 194-255	COLOR: Open Colour1 Colour2 Colour3 Colour4 Colour5 Colour6 Colour7 Colour8 Colour9 Colour10 Colour11 Colour12 Colour13 Colour14 Rotation: Fast → Slow Stop Rotation: Slow →Fast
9	000-003 004-007 008-011 012-015 016-019 020-023 024-027	GOBO: Open Gobo1 Gobo2 Gobo3 Gobo4 Gobo5 Gobo6

	028-031 032-035 036-039 040-043 044-047 048-051 052-055 056-059 060-063 064-068 069-072 073-076 077-080 081-084 085-089 090-093 094-097 098-101 102-105 106-110 111-114 115-118 119-122 123-126 128-189 190-193 194-255	Gobo7 Gobo8 Gobo9 Gobo10 Gobo11 Gobo12 Gobo13 Gobo14 Gobo15 Gobo1 Shaking Gobo2 Shaking Gobo3 Shaking Gobo4 Shaking Gobo5 Shaking Gobo6 Shaking Gobo7 Shaking Gobo8 Shaking Gobo9 Shaking Gobo10 Shaking Gobo11 Shaking Gobo12 Shaking Gobo13 Shaking Gobo14 Shaking Gobo15 Shaking Rotation: Fast → Slow Stop Rotation: Slow →Fast
10	000-007 008-255	PRISM: No Effect Prism Effect
11	000-127 128-189 190-193 194-255	R-PRISM: Index: 0 → 360 Rotation: Fast → Slow Stop Rotation: Slow →Fast
12	000-079 080-084 085-089 090-094 095-099 100-109 110-119 120-129 130-139 140-199 200-209	FUNCTION: Null Pan/Tilt Motors reset Colour motor reset Gobo motor reset Shutter/Dimmer/Prism reset Enable blackout while pan/tilt move Enable blackout while colour change Enable blackout while gobo change Lamp On Null Reset All

	210-229	Null
	230-239	Lamp Off
	240-249	Null
	250-255	Sound Function

6. Troubleshooting

Following are a few common problems that may occur during operation. Here are some suggestions for easy troubleshooting:

A. The unit does not work, no light output and the fan does not work

1. Check the power connection and main fuse.
2. Check the power on LED to see if it is illuminated.

B. Not responding to DMX controller

1. DMX LED should be on. If not, check DMX connectors and cables to see if they are connected correctly.
2. If the DMX LED is on and no response to the desk, check the address settings and DMX polarity.
3. Try another DMX controller.
4. Check to see if the DMX cables run near or run alongside high voltage cables that may cause damage or interference to the DMX circuit.

D. The lamp is cutting out intermittently

1. Internal temperature may be too high. Check if replacement of fan is needed on the head.

7. Cleaning

Cleaning:

The cleaning of internal and external optical lenses and/or mirrors must be carried out periodically to optimize light output. Cleaning frequency depends on the environment in which the fixture operates: damp, smoky or particularly dirty surrounding can cause greater accumulation of dirt on the unit's optics.

- Clean with soft cloth and use normal glass cleaner.
- Always dry the parts carefully.
- Clean the external optics at least every 20 days. Clean the internal optics at least every 30/60 days.

Declaration of Conformity

We declare that our products (lighting equipments) comply with the following specification and bears CE mark in accordance with the provision of the Electromagnetic Compatibility (EMC) Directive 89/336/EEC.

EN55103-1: 2009+A1:2012; EN55103-2: 2009;
EN61000-3-2: 2014; EN61000-3-3: 2013.

&

Harmonized Standard

EN 60598-1:2015; EN 60598-2-17:1989 + A2:1991;
EN 62471:2008; EN 62493: 2010
Safety of household and similar electrical appliances
Part 1: General requirements

Innovation, Quality, Performance