



PF LED Profile

User Manual



Order codes:

ELUM094 - 100W 3200K WW Version

ELUM095 - 100W 6000K CW Version

ELUM096 - 150W 3200K WW Version

ELUM097 - 150W 6000K CW Version

WARNING

FOR YOUR OWN SAFETY, PLEASE READ THIS USER MANUAL CAREFULLY BEFORE YOUR INITIAL START-UP!

- Before your initial start-up, please make sure that there is no damage caused during transportation.
- Should there be any damage, consult your dealer and do not use the equipment.
- To maintain the equipment in good working condition and to ensure safe operation, it is necessary for the user to follow the safety instructions and warning notes written in this manual.
- Please note that damages caused by user modifications to this equipment are not subject to warranty.



IMPORTANT:

The manufacturer will not accept liability for any resulting damages caused by the non-observance of this manual or any unauthorised modification to the equipment.

- Never let the power cable come into contact with other cables. Handle the power cable and all mains voltage connections with particular caution!
- Never remove warning or informative labels from the unit.
- Do not open the equipment and do not modify the unit.
- Do not connect this equipment to a dimmer pack.
- Do not switch the equipment on and off in short intervals, as this will reduce the system's life.
- Only use the equipment indoors.
- Do not expose to flammable sources, liquids or gases.
- Always disconnect the power from the mains when equipment is not in use or before cleaning! Only handle the power-cable by the plug. Never pull out the plug by pulling the power-cable.
- Make sure that the available mains supply voltage is between 100~240V AC, 50/60Hz.
- Make sure that the power cable is never crimped or damaged. Check the equipment and the power cable periodically.
- If the equipment is dropped or damaged, disconnect the mains power supply immediately and have a qualified engineer inspect the equipment before operating again.
- If the equipment has been exposed to drastic temperature fluctuation (e.g. after transportation), do not connect power or switch it on immediately. The arising condensation might damage the equipment. Leave the equipment switched off until it has reached room temperature.
- If your product fails to function correctly, stop use immediately. Pack the unit securely (preferably in the original packing material), and return it to your Pro Light dealer for service.
- Only use fuses of same type and rating.
- Repairs, servicing and power connection must only be carried out by a qualified technician. **THIS UNIT CONTAINS NO USER SERVICEABLE PARTS.**
- This lighting fixture is for professional use only - it is not designed for or suitable for household use. The product must be installed by a qualified technician in accordance with local territory regulations. The safety of the installation is the responsibility of the installer. The fixture presents risks of severe injury or death due to fire hazards, electric shock and falls.
- Warning! Risk Group 2 LED product according to EN 62471. Do not view the light output with optical instruments or any device that may concentrate the beam.
- **WARRANTY:** Two years from date of purchase.

OPERATING DETERMINATIONS

If this equipment is operated in any other way, than those described in this manual, the product may suffer damage and the warranty becomes void. Incorrect operation may lead to danger e.g: short-circuit, burns and electric shocks etc.

Do not endanger your own safety and the safety of others!

Incorrect installation or use can cause serious damage to people and/or property.

PF LED Profile

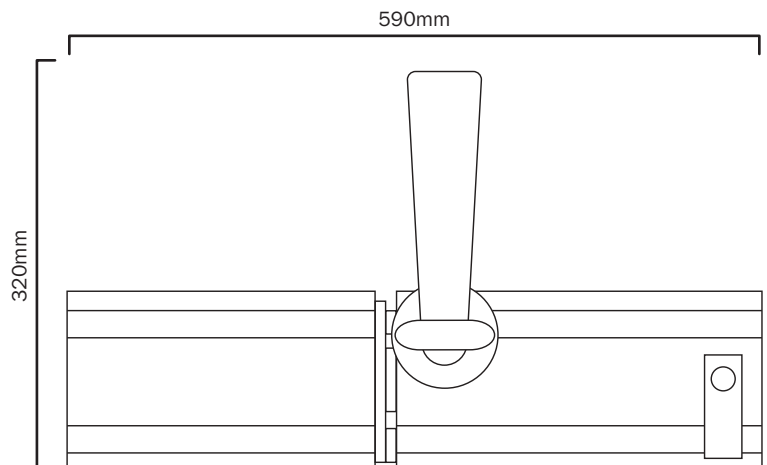
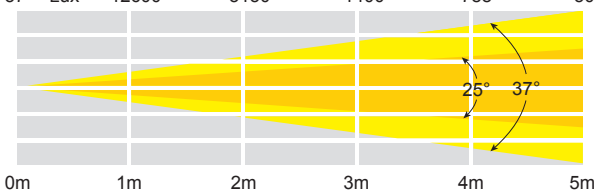
The PF LED Profile is loaded with a 100W (150W) cool (warm) white LED, producing an output similar to a 650W (1000W) lamp. Control of the unit is facilitated via a 3 button menu and LCD display, whilst the beam angle can be manually adjusted between 25° and 37°. Eight dimmer curves are included for maximum flexibility. The whole fixture is enclosed in a robust chassis featuring four framing shutters, gobo slot with holder and is supplied with filter frame.

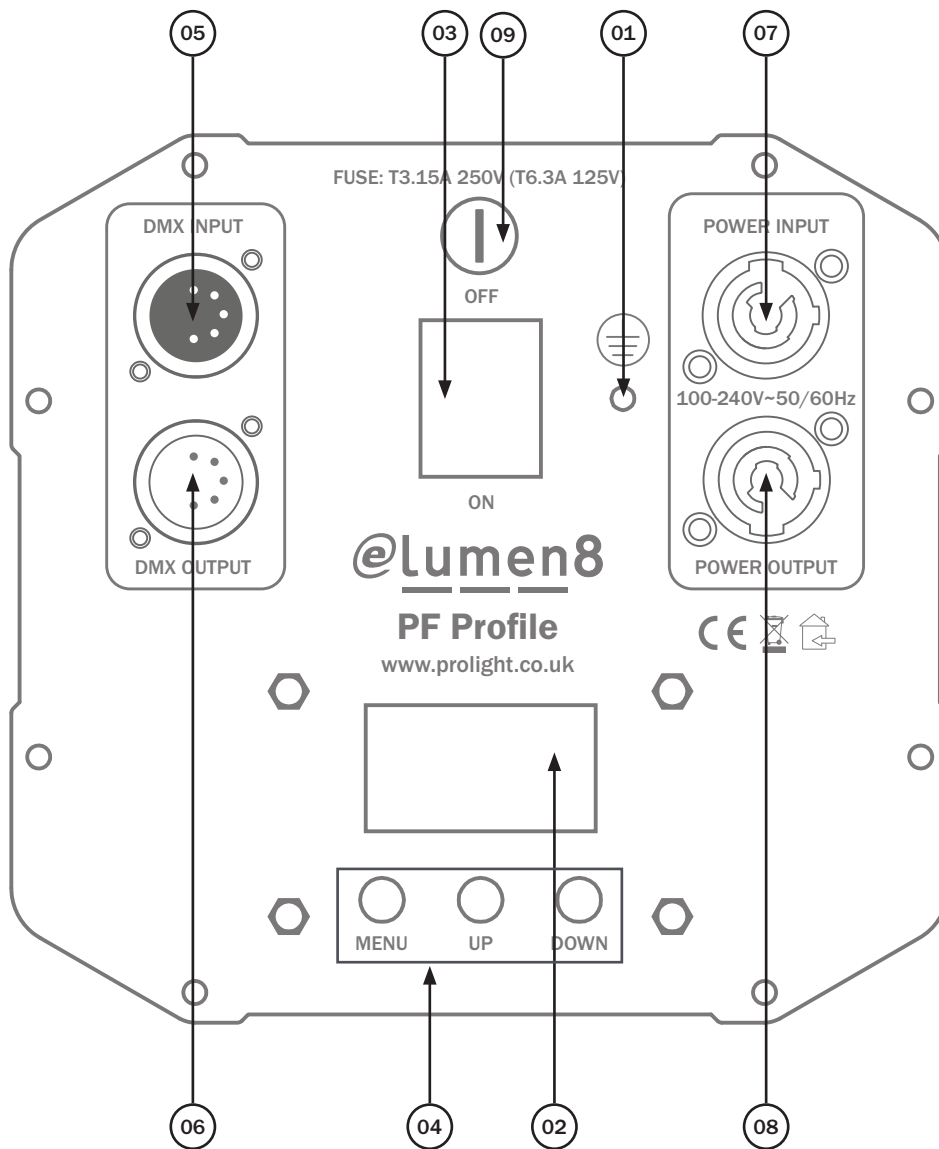
- 1 x 100W warm white COB LED (3200K) - ELUM094
- 1 x 100W cool white COB LED (6000K) - ELUM095
- 1 x 150W warm white COB LED (3200K) - ELUM096
- 1 x 150W cool white COB LED (6000K) - ELUM097
- Manually adjustable beam angle: 25° - 37°
- CRI > 95
- Glass condenser optic system with zoom and focus adjustment
- 1.6kHz refresh rate
- Beam framing shutters
- Gobo slot (Gobo size: 70mm)
- DMX channels: 1 or 2 selectable
- 0-100% dimming
- 4 dimming curves in both LED and halogen profiles: Linear, square law, inverse square law and S-curve
- 3 push button menu with LCD display
- PowerCON input/output
- 5-Pin XLR input/output
- Temperature controlled fan cooling
- Handle on rear panel
- Filter frame included
- Supplied with gobo holder



Specifications	PF LED Profile
Power consumption	120W - 100W Version
Power consumption	170W - 150W Version
Power supply	100~240V, 50/60Hz
Dimensions	320 x 262 x 590mm
Weight	9.6kg
Order code	ELUM094 - 100W WW Version
Order code	ELUM095 - 100W CW Version
Order code	ELUM096 - 150W WW Version
Order code	ELUM097 - 150W CW Version

100W WW					
25° - Lux	14760	3700	1640	925	592
37° - Lux	9800	2450	1090	613	392
100W CW					
25° - Lux	15200	3800	1690	950	608
37° - Lux	9000	2250	1000	563	360
150W WW					
25° - Lux	21000	5250	2330	1310	840
37° - Lux	13720	3430	1520	856	548
150W CW					
25° - Lux	21200	5300	2360	1130	848
37° - Lux	12600	3150	1400	788	504





- 01 - Earth point
- 02 - LCD display
- 03 - On/Off switch
- 04 - Function buttons
- 05 - 5-Pin DMX input
- 06 - 5-Pin DMX output
- 07 - PowerCON input
- 08 - PowerCON output
- 09 - Fuse T3.15A 250V

In the box: **1 x fixture,**
1 x 13A powerCON
mains cable &
1 x user manual

Operating instructions

DMX channel mode:

Operating in DMX control mode gives the user the greatest flexibility when it comes to customising or creating a show. In this mode you will be able to control each individual trait of the fixture and each fixture independently.

To access the 1 channel DMX mode, press the “**MENU**” button on the rear of the unit to show “**DMX-1CH**” on the LCD display. The fixture is now in 1 Channel mode. Now use the “**UP**” and “**DOWN**” buttons to set the desired DMX address for the 1 Channel mode.

To access the 2 channel DMX mode, press the “**MENU**” button on the rear of the unit to show “**DMX-2CH**” on the LCD display. The fixture is now in 2 Channel mode. Now use the “**UP**” and “**DOWN**” buttons to set the desired DMX address for the 2 Channel mode.

To exit out of any of the above options, press the “**MENU**” button.

1 channel mode:

Channel	Value	Function
1	000-255	Master dimmer (0-100%)

Please note: Dimming curves for 1 channel mode can be set via internal menu.

2 channel mode:

Channel	Value	Function
1	000-255	Master dimmer (0-100%)
2	000-014	Dimming Curves (set via unit)
	015-044	Linear Halogen dimming curve
	045-074	Square Halogen dimming curve
	075-104	Inverse Square Halogen dimming curve
	105-134	S-curve Halogen dimming curve
	135-164	Linear LED dimming curve
	165-194	Square LED dimming curve
	195-224	Inverse Square LED dimming curve
	225-255	S-curve LED dimming curve

Manual dimming mode:

To access the sound active mode, press the “**MENU**” button on the rear of the unit to show “**WhiteSet**” on the LCD display. The unit is now in manual dimming mode. Now use the “**UP**” and “**DOWN**” buttons to set the brightness from “**0**” - “**255**” (**0 = LED off, 255 = LED at full brightness**).

To exit out of any of the above options, press the “**MODE**” button.

Dimming curves

To access the units dimmer curves, press the “**MENU**” button on the rear of the unit to show “**Led Linear**” on the LCD display. Now use the “**UP**” and “**DOWN**” buttons to set the dimming curve required.

“**Led Linear**” - LED Linear dimming curve

“**Led Square**” - LED Square dimming curve

“**Led InvSquar**” - LED Inverse Square dimming curve

“**Led S-Curve**” - LED S-Curve dimming curve

“**Halgen Linear**” - Halogen Linear dimming curve

“**Halgen Square**” - Halogen Square dimming curve

“**Halgen InvSquar**” - Halogen Inverse Square dimming curve

“**Halgen S-Curve**” - Halogen S-Curve dimming curve

To exit out of any of the above options, press the “**MENU**” button.

Setting the DMX address:

The DMX mode enables the use of a universal DMX controller. Each fixture requires a “start address” from 1- 511. A fixture requiring one or more channels for control begins to read the data on the channel indicated by the start address. For example, a fixture that occupies or uses 7 channels of DMX and was addressed to start on DMX channel 100, would read data from channels: 100,101,102,103,104,105 and 106. Choose a start address so that the channels used do not overlap. E.g. the next unit in the chain starts at 107.

DMX 512:

DMX (Digital Multiplex) is a universal protocol used as a form of communication between intelligent fixtures and controllers. A DMX controller sends DMX data instructions from the controller to the fixture. DMX data is sent as serial data that travels from fixture to fixture via the DATA “IN” and DATA “OUT” XLR terminals located on all DMX fixtures (most controllers only have a data “out” terminal).

DMX linking:

DMX is a language allowing all makes and models of different manufactures to be linked together and operate from a single controller, as long as all fixtures and the controller are DMX compliant. To ensure proper DMX data transmission, when using several DMX fixtures try to use the shortest cable path possible. The order in which fixtures are connected in a DMX line does not influence the DMX addressing. For example; a fixture assigned to a DMX address of 1 may be placed anywhere in a DMX line, at the beginning, at the end, or anywhere in the middle. When a fixture is assigned a DMX address of 1, the DMX controller knows to send DATA assigned to address 1 to that unit, no matter where it is located in the DMX chain.

DATA cable (DMX cable) requirements (for DMX operation):

This fixture can be controlled via DMX-512 protocol. The DMX address is set on the back of the unit. Your unit and your DMX controller require a standard 5-pin XLR connector for data input/output, see image below.



Further DMX cables can be purchased from all good sound and lighting suppliers or Pro Light Concepts dealers.

Please quote:

CABL185 - 2m

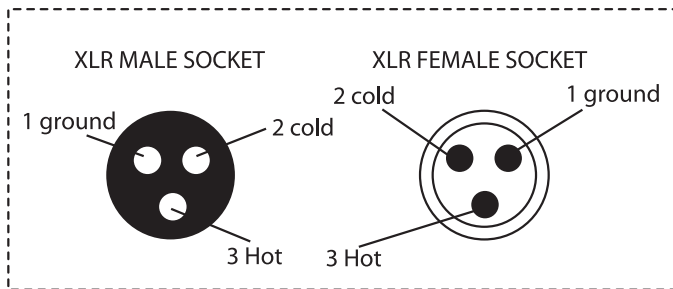
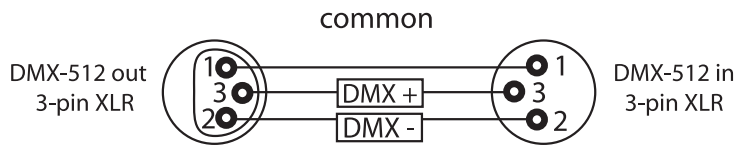
CABL187 - 5m

CABL188 - 10m

Note: DMX cable must be daisy chained and cannot be split.

Notice:

Be sure to follow the diagrams below when making your own cables. Do not connect the cables shield conductor to the ground lug or allow the shield conductor to come in contact with the XLRs outer casing. Grounding the shield could cause a short circuit and erratic behaviour.



XLR Pin Configuration
Pin 1 = Ground
Pin 2 = Negative
Pin 3 = Positive

Special note:

Line termination:

When longer runs of cable are used, you may need to use a terminator on the last unit to avoid erratic behaviour.

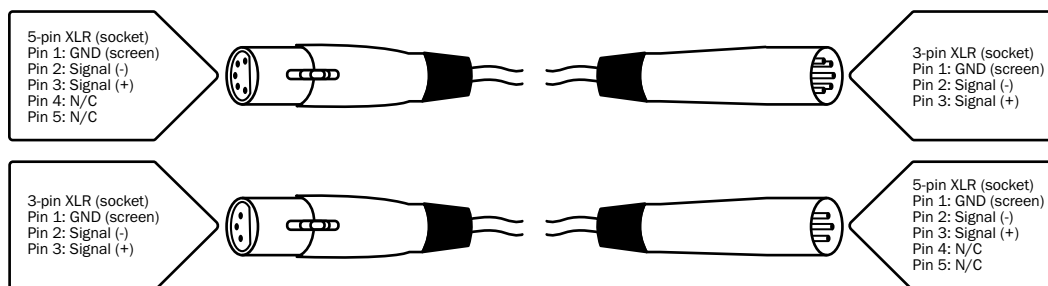
Using a cable terminator will decrease the possibilities of erratic behaviour.

(3-pin - Order ref: CABL90, 5-pin - Order ref: CABL89)

Termination reduces signal transmission problems and interference. It is always advisable to connect a DMX terminal, (resistance 120 Ohm 1/4 W) between pin 2 (DMX-) and pin 3 (DMX+) of the last fixture.

5-pin XLR DMX connectors:

Some manufactures use 5-pin XLR connectors for data transmission in place of 3-pin. 5-pin XLR fixtures may be implemented in a 3-pin XLR DMX line. When inserting standard 5-pin XLR connectors in to a 3-pin line a cable adaptor must be used. The diagram below details the correct cable conversion.





***Correct Disposal of this Product
(Waste Electrical & Electronic Equipment)***

**(Applicable in the European Union and other European countries
with separate collection systems)**

This marking shown on the product or its literature, indicates that it should not be disposed with other household wastes at the end of its working life. To prevent possible harm to the environment or human health from uncontrolled waste disposal, please separate this from other types of wastes and recycle it responsibly to promote the sustainable reuse of material resources.

Household users should contact either the retailer where they purchased this product, or their local government office, for details of where and how they can take this item for environmentally safe recycling.

Business users should contact their supplier and check the terms and conditions of the purchase contract. This product should not be mixed with other commercial wastes for disposal.

