

EQUINOX

Combi Booth System

User Manual



Order code: EQLED026

WARNING

FOR YOUR OWN SAFETY, PLEASE READ THIS USER MANUAL CAREFULLY BEFORE YOUR INITIAL START-UP!



- Site the booth on a level, stable surface
- Booth must be unfolded and setup as per diagram overleaf.
- Incorrect setup may lead to additional stress on the frame and components.
- Take care to keep fingers, body parts and loose clothing away from moving parts
- Shelf loading: 25kg max. (evenly distributed)
- Do not stand or sit on the shelf

Combi Booth System

A compact and portable foldable DJ stand supplied with steel shelf, both black and white lycra panels and a carry bag. The Equinox Combi booth offers a fresh approach to DJ booths where the mesh upper facade provides some privacy to hide cables and connections without totally blocking the DJ from view.

Specifications	
Dimensions	1125 x 120 x 515mm (folded) 1125 x 1050 x 520mm (set-up) 1125 x 1005 x 495mm (internal)
Shelf height	935mm
Shelf dimensions	25 x 1045 x 515mm
Shelf max. load	25kg (evenly distributed)
Frame weight	11kg
Shelf weight	4.5kg
Weight	15.5kg
Order code	EQLED026

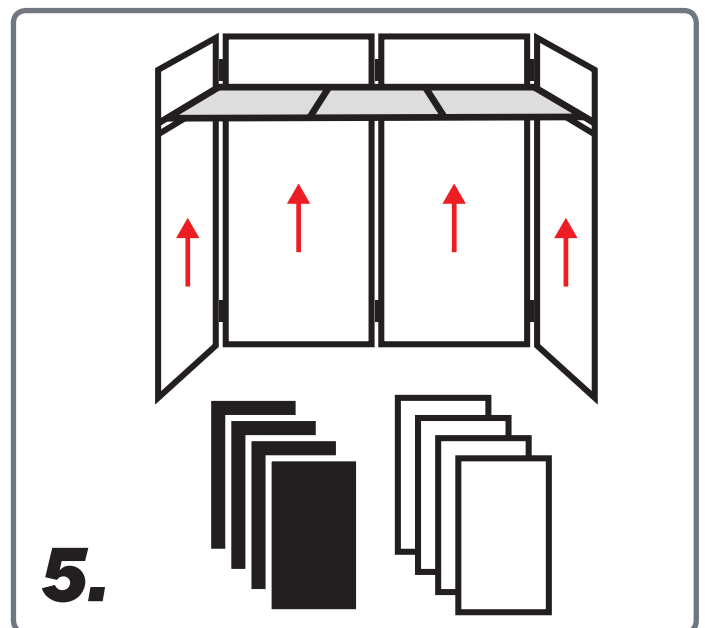
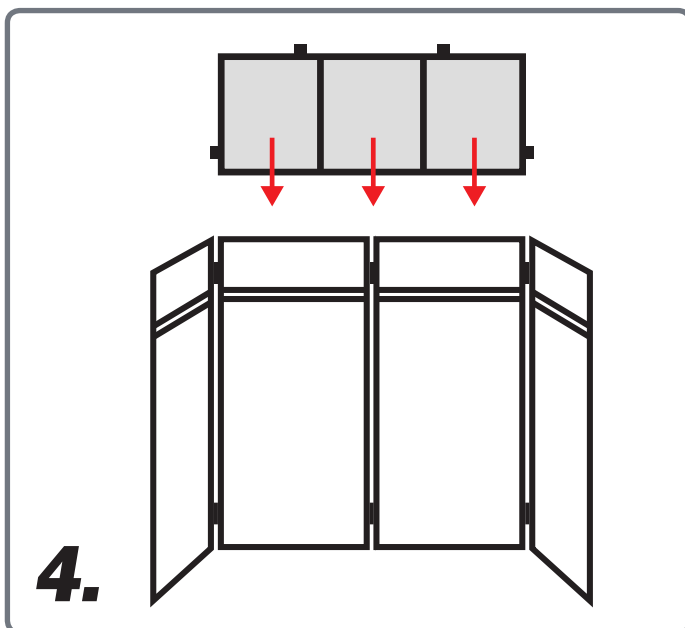
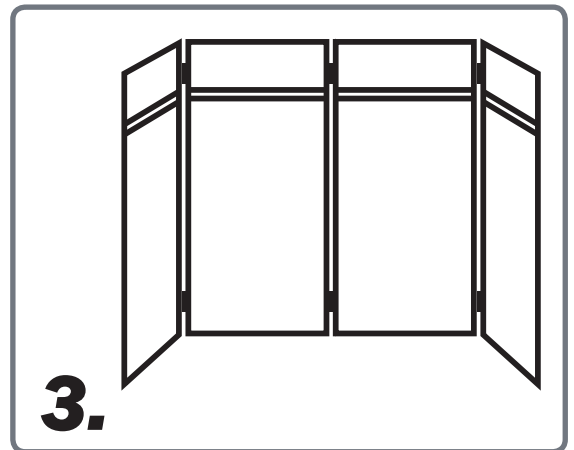
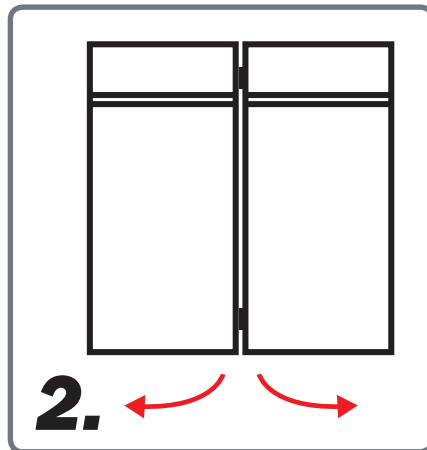
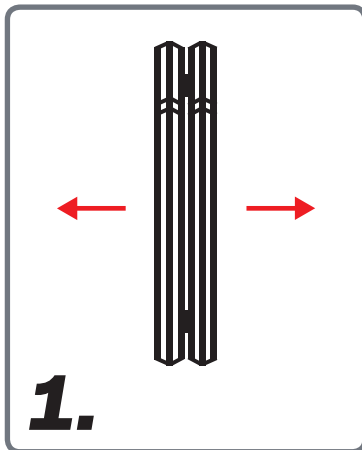


Includes sturdy shelf to support a variety of equipment



Carry Bag Included

To set up the Combi Booth correctly, please follow the 5 steps below.



Please contact your local retailer to purchase these accessories.



Replacement black lycra panel available to purchase should you need one in the future
Order code: EQLED026C



Replacement white lycra panel available to purchase should you need one in the future
Order code: EQLED026D



Replacement Combi Booth bag available to purchase should you need one in the future
Order code: EQLED026B