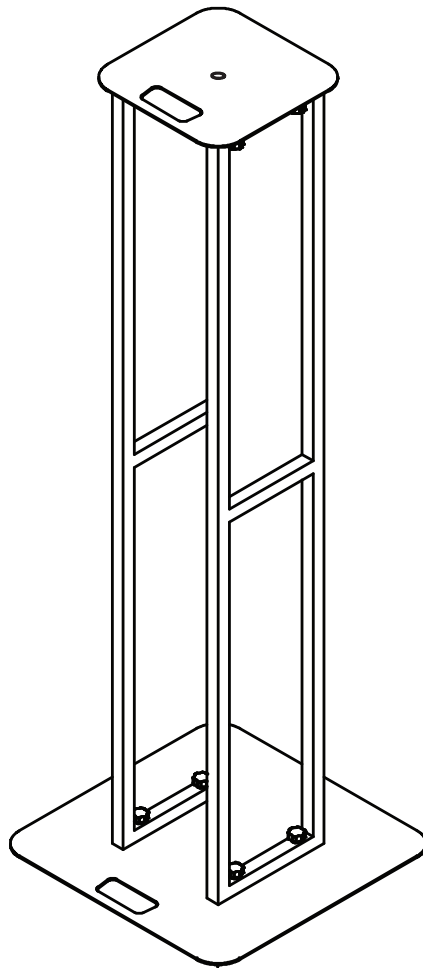


# **EQUINOX**

## **DJ Plinth Kit (Pair)**

**User Manual**



**Order codes:**

**1.0m - EQLED123**

**1.5m - EQLED124**

**WARNING**

**FOR YOUR OWN SAFETY, PLEASE READ THIS USER MANUAL CAREFULLY BEFORE YOUR INITIAL SET-UP!**

- Before your initial set-up, please make sure that there is no damage caused during transportation.
- Should there be any damage, consult your dealer and do not use the equipment.
- To maintain the equipment in good working condition and to ensure safe operation, it is necessary for the user to follow the safety instructions and warning notes written in this manual.
- Please note that damages caused by user modifications to this equipment are not subject to warranty.

**IMPORTANT:**

The manufacturer will not accept liability for any resulting damages caused by the non-observance of this manual or any unauthorised modification to the equipment.

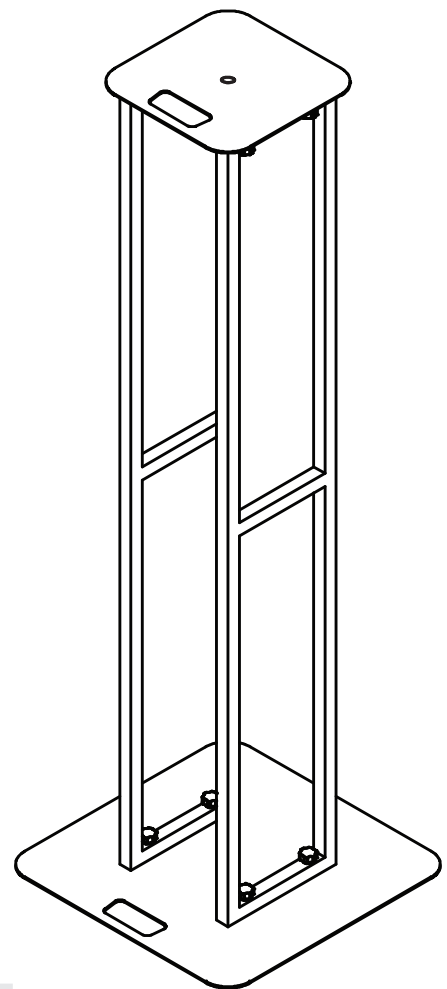
**WARRANTY:** One year from date of purchase

**Truss Plinth Kit**

This Plinth Kit is supplied in pairs with all fixings, a white lycra scrim, 35mm speaker adaptor and carry bag. Assembled using steel upright frames and base plates this plinth is strong and sturdy, whilst the simple construction allows for a rapid assembly and makes transportation easy. The top plate features bolt holes for securely mounting a variety of lighting fixtures, and it also comes supplied with a 35mm adaptor that bolts to the top plate allowing speakers to sit safely on top of the plinths.

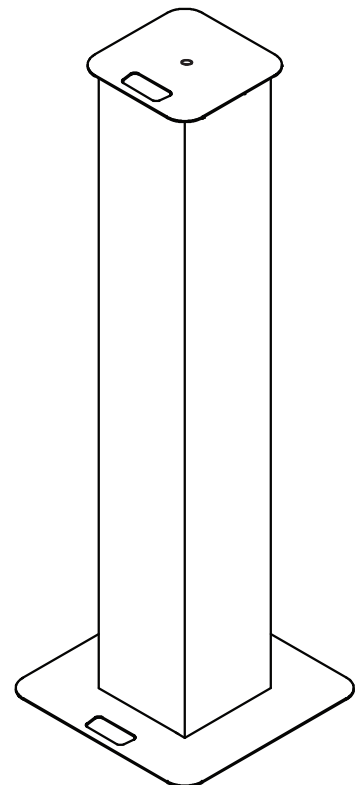
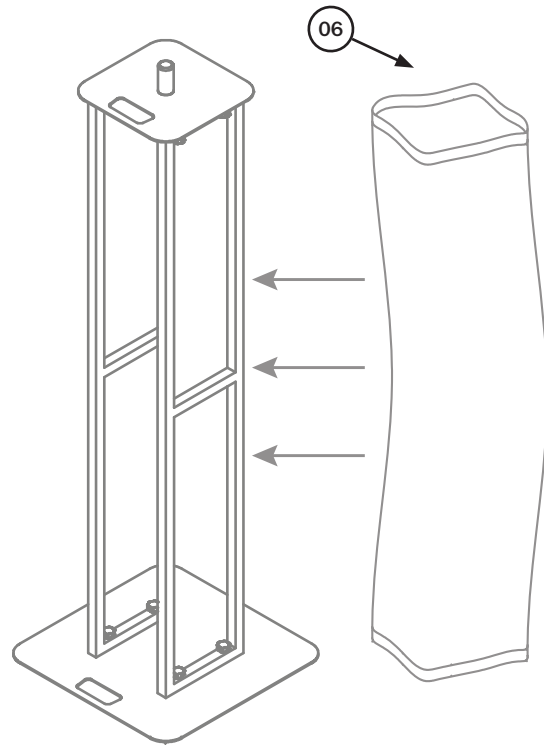
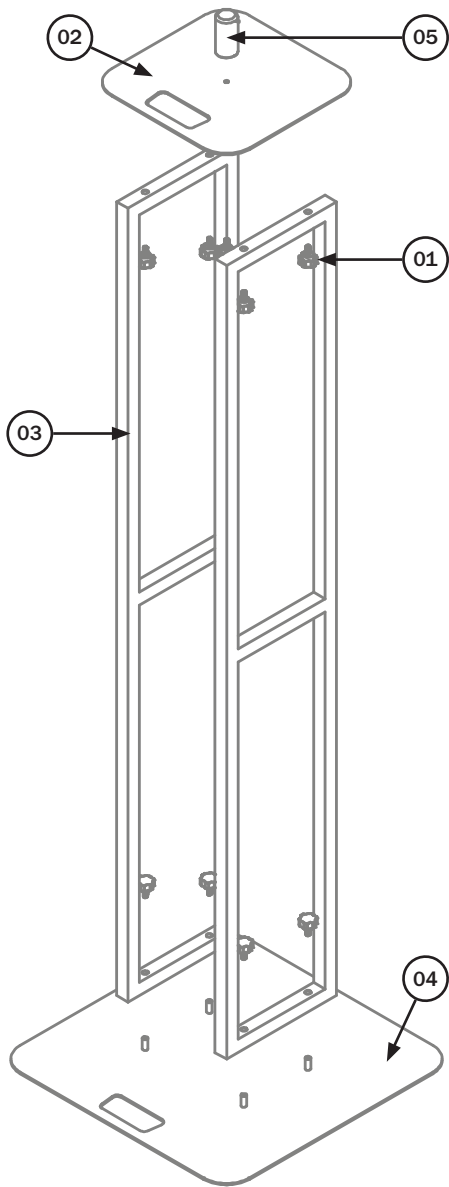
The supplied scrim provides the perfect coverage for the plinth giving a clean look. Why not add a slimline style par can or light effect within the base area of the plinth, illuminating it from within. This plinth is ideal for a wide variety of applications including mobile DJs, events, and weddings.

- Kit comes complete with fixings, 35mm adaptor and white lycra scrim
- 3mm thick top and base plates feature cutout handles for easy transportation
- Lycra scrim: Hand wash only at 30° and do not tumble dry



In the kit:  
**4 x upright frames,**  
**2 x white lycra scrim,**  
**2 x baseplate,**  
**2 x top plate,**  
**16 x fixing knobs,**  
**2 x 35mm speaker pole adaptor,**  
**2 x carry bags**

| Specifications            |                 |
|---------------------------|-----------------|
| Footprint                 | 500 x 500mm     |
| Top plate dimensions      | 300 x 300 x 3mm |
| Base plate dimensions     | 500 x 500 x 3mm |
| Order codes: 1.0m version | EQLED123        |
| 1.5m version              | EQLED124        |



| Part number | Part details              | Qty supplied |
|-------------|---------------------------|--------------|
| 01          | Fixing Knobs              | 16           |
| 02          | Top plate                 | 2            |
| 03          | Upright frames            | 4            |
| 04          | Base plate                | 2            |
| 05          | 35mm speaker pole adaptor | 2            |
| 06          | White lycra scrim         | 2            |

**Truss Plinth Kits**

Our Truss Plinth Kits are available in 2 heights...

