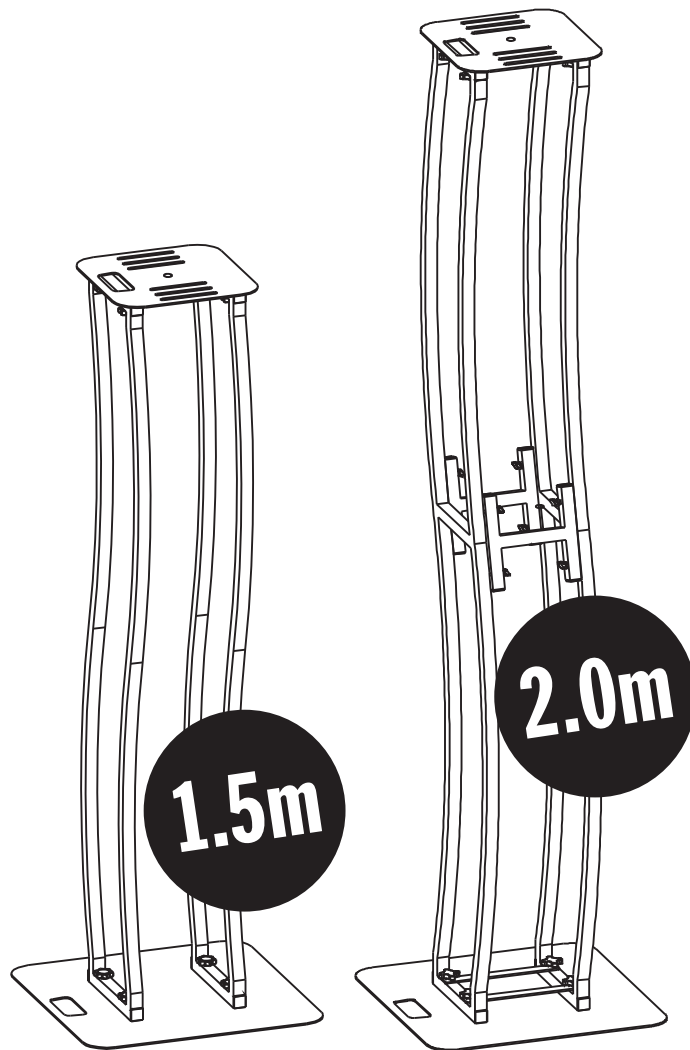


EQUINOX

Curve DJ Plinth Kit (Pair)

User Manual



Order codes:

1.5m - EQLED127

2.0m - EQLED128

WARNING

FOR YOUR OWN SAFETY, PLEASE READ THIS USER MANUAL CAREFULLY BEFORE YOUR INITIAL SET-UP!

- Before your initial set-up, please make sure that there is no damage caused during transportation.
- Should there be any damage, consult your dealer and do not use the equipment.
- To maintain the equipment in good working condition and to ensure safe operation, it is necessary for the user to follow the safety instructions and warning notes written in this manual.
- Please note that damages caused by user modifications to this equipment are not subject to warranty.

IMPORTANT:

The manufacturer will not accept liability for any resulting damages caused by the non-observance of this manual or any unauthorised modification to the equipment.

WARRANTY: One year from date of purchase

Curve DJ Plinth Kit

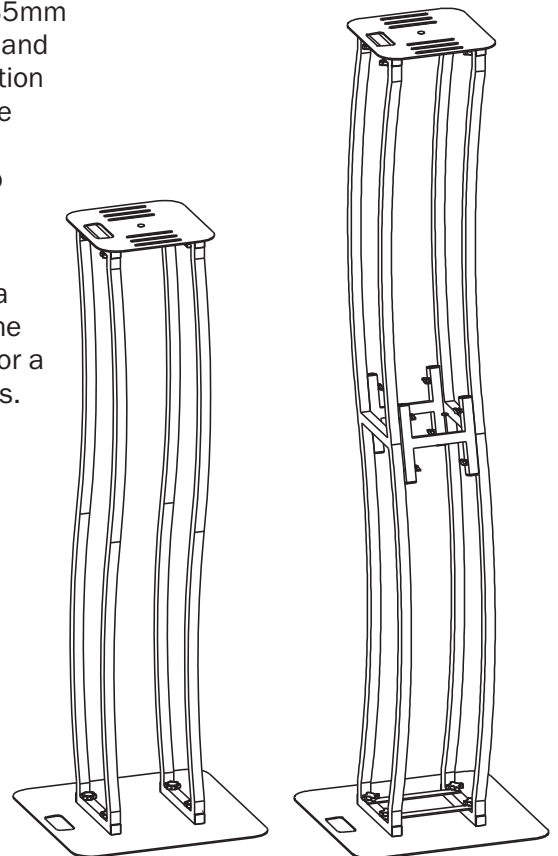
This Plinth Kit is supplied in pairs with all fixings, a white lycra scrim, 35mm speaker adaptor and carry bag. Assembled using steel upright frames and base plates this plinth is strong and sturdy, whilst the simple construction allow for a rapid assembly and make transportation easy. The top plate features multiple bolt holes for securely mounting a variety of lighting fixtures, and it also comes supplied with a 35mm adaptor that bolts to the top plate allowing speakers to sit safely on top of the plinths.

The supplied scrim provides the perfect coverage for the plinth giving a clean look. Why not add a slimline style par can or light effect within the base area of the plinth, illuminating it from within. This plinth is ideal for a wide variety of applications including mobile DJs, events, and weddings.

- Kit comes complete with fixings, 35mm adaptor and white lycra scrim
- 3mm thick top and base plates feature cutout handles for easy transportation
- Lycra scrim: Hand wash only at 30° and do not tumble dry

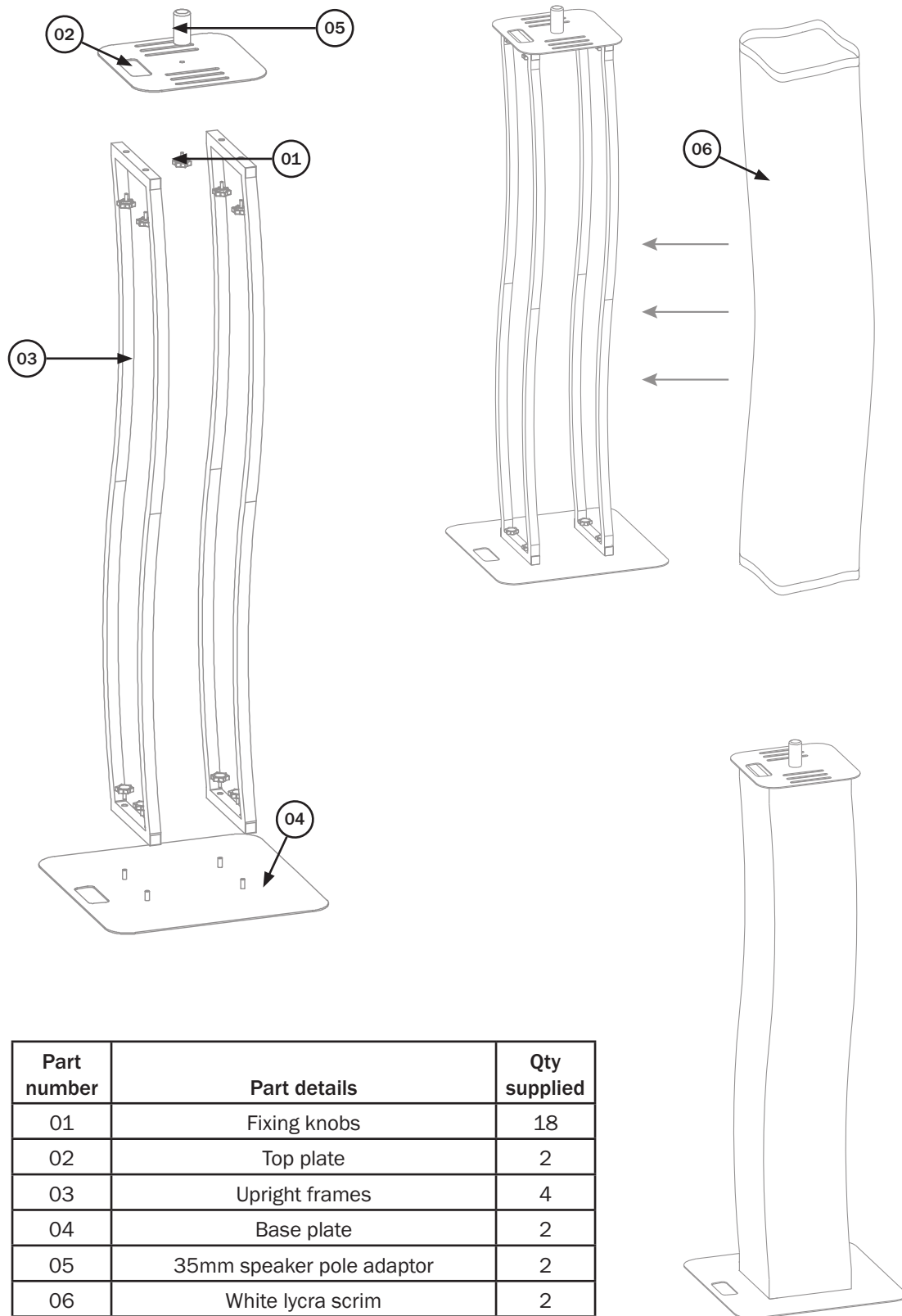
In the kit:

- 4 x upright frames,
- 2 x white lycra scrim,
- 2 x baseplate,
- 2 x top plate,
- 18 x fixing knobs (1.5m),
- 34 x fixing knobs (2.0m),
- 4 x H brace (2.0m only),
- 4 x support brace (2.0m only),
- 2 x 35mm speaker pole adaptor,
- 2 x carry bags



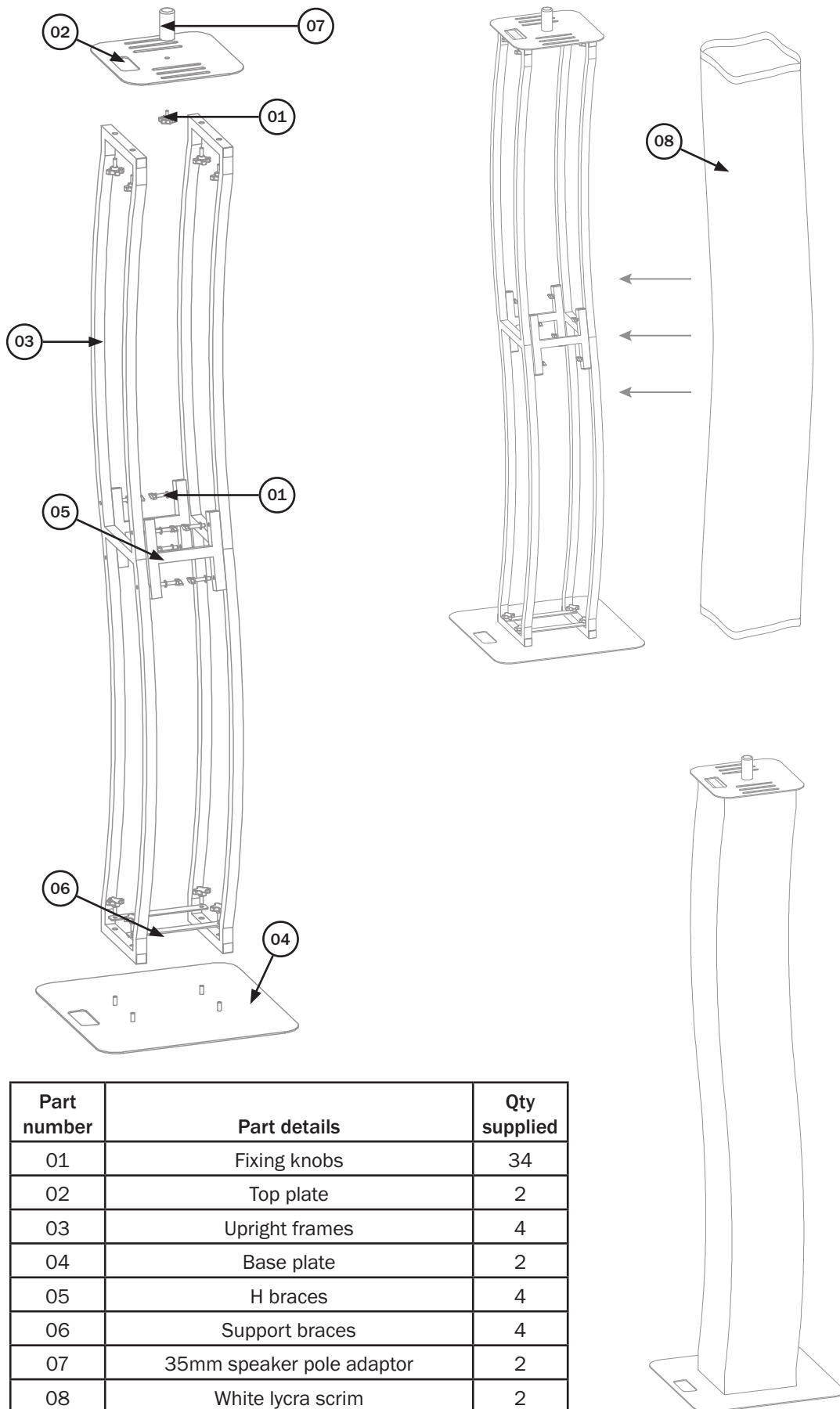
Specifications	1.5m Version	2.0m Version
Footprint	500 x 500mm	600 x 600mm
Top plate dimensions	300 x 300 x 3mm	300 x 300 x 3mm
Base plate dimensions	500 x 500 x 3mm	600 x 600 x 4mm
Max. load	15kg	15kg
Order codes:	EQLED127	EQLED128

1.5m Version



Part number	Part details	Qty supplied
01	Fixing knobs	18
02	Top plate	2
03	Upright frames	4
04	Base plate	2
05	35mm speaker pole adaptor	2
06	White lycra scrim	2

2.0m Version



Part number	Part details	Qty supplied
01	Fixing knobs	34
02	Top plate	2
03	Upright frames	4
04	Base plate	2
05	H braces	4
06	Support braces	4
07	35mm speaker pole adaptor	2
08	White lycra scrim	2