

EQUINOX

Snowflake Snow Machine

User Manual



Order code: EQLED354

WARNING:

FOR YOUR OWN SAFETY, PLEASE READ THIS USER MANUAL CAREFULLY BEFORE YOUR INITIAL START-UP!

- Before your initial start-up, please make sure that there is no damage caused during transportation.
- Should there be any damage, consult your dealer and do not use the equipment.
- To maintain the equipment in good working condition and to ensure safe operation, it is necessary for the user to follow the safety instructions and warning notes written in this manual.
- Please note that damages caused by user modifications to this equipment are not subject to warranty.



IMPORTANT: The manufacturer will not accept liability for any resulting damages caused by the non-observance of this manual or any unauthorised modification to the equipment.

- Never let the power cable come into contact with other cables. Handle the power cable and all mains voltage connections with particular caution!
- Never remove warning or informative labels from the unit.
- Do not open the equipment and do not modify the unit.
- Do not switch the equipment on and off in short intervals, as this will reduce the system's life.
- Only use the equipment indoors.
- Do not expose to flammable sources, liquids or gases.
- Always disconnect the power from the mains when equipment is not in use or before cleaning! Only handle the power-cable by the plug. Never pull out the plug by pulling the power-cable.
- Make sure that the available mains supply voltage is 240V AC, 50Hz.
- Make sure that the power cable is never crimped or damaged. Check the equipment and the power cable periodically.
- If the equipment is dropped or damaged, disconnect the mains power supply immediately and have a qualified engineer inspect the equipment before operating again.
- This unit is not intended for fixed installation.
- If the equipment has been exposed to drastic temperature fluctuation (e.g. after transportation), do not connect power or switch it on immediately. The arising condensation might damage the equipment. Leave the equipment switched off until it has reached room temperature.
- If your product fails to function correctly, stop use immediately. Pack the unit securely (preferably in the original packing material), and return it to your Prolight dealer for service.
- Only use fuses of same type and rating.
- Repairs, servicing and power connection must only be carried out by a qualified technician. **THIS UNIT CONTAINS NO USER SERVICEABLE PARTS.**
- This fixture is for professional use only - it is not designed for or suitable for household use. The product must be installed by a qualified technician in accordance with local territory regulations. The safety of the installation is the responsibility of the installer. The fixture presents risks of severe injury or death due to fire hazards, electric shock and falls.
- **WARRANTY:** One year from date of purchase.

OPERATING DETERMINATIONS

If this equipment is operated in any other way, than those described in this manual, the product may suffer damage and the warranty becomes void. Incorrect operation may lead to danger e.g: short-circuit, burns and electric shocks etc.

Do not endanger your own safety and the safety of others!

Incorrect installation or use can cause serious damage to people and/or property.

Before filling the unit disconnect the mains. Never fill with hot liquids.

Only use high quality, water based snow fluid recommended by the manufacturer.

Other snow fluids may cause clogging and void the guarantee.

Always make sure there is sufficient snow fluid in the tank. Operating this snow machine without snow fluid will cause damage to the pump.

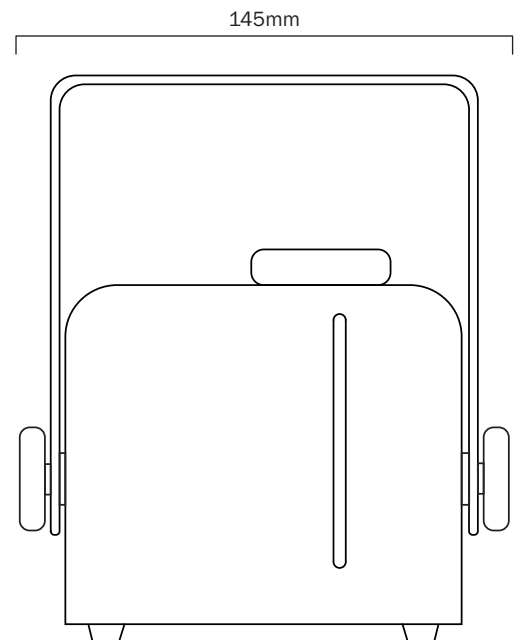
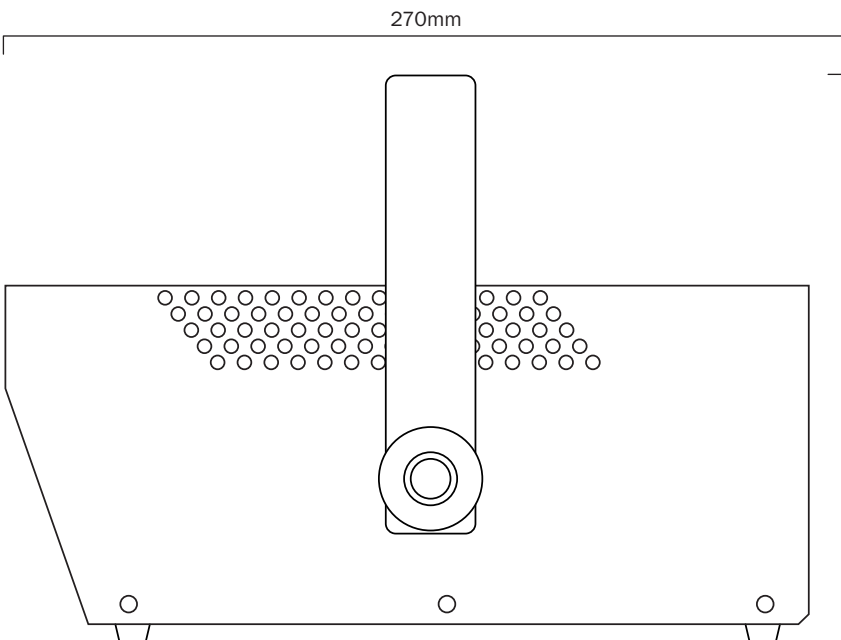
Operate the unit only after you have familiarised yourself with its functions. Do not permit operation by persons not qualified for operating the unit and always drain the tank and use the original packaging if the unit is to be transported.

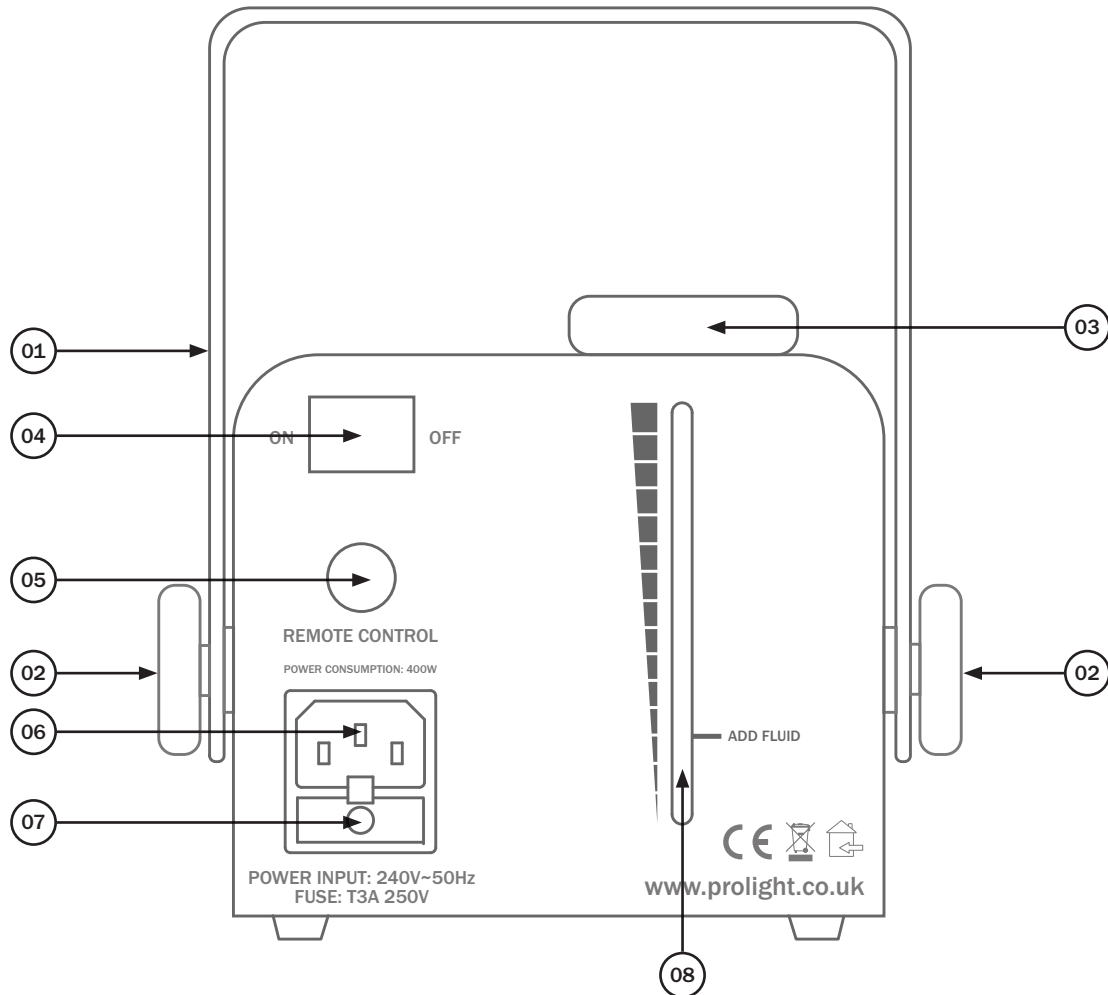
Snowflake Snow Machine

The Snowflake compact artificial snow effects machine is ideal for home party and small venues. The unit comes with a simple to use remote control, hanging bracket and integral 0.2L fluid tank with easy twist off cap.

- Realistic looking snowflakes
- Easy to use remote control
- No warm up time
- Tank capacity: 0.2L
- Power: 400W
- Wired remote control

Specifications	
Power consumption	400W
Power supply	240V, 50Hz
Fuse	T3A 250V
Dimensions	185 x 145 x 270mm
Weight	2kg
Order code	EQLED354





- | | | |
|---------------------------------------|---------------------|----------------------|
| 01 - Hanging bracket | 03 - Fluid tank | 06 - IEC power input |
| 02 - Hanging bracket adjustment knobs | 04 - On/off switch | 07 - Fuse T3A 250V |
| | 05 - Remote control | 08 - Fluid level |

In the box: **1 x fixture,**
1 x remote control,
1 x hanging bracket,
1 x power cable
& 1 x user manual

Starting operation:

Install the unit on a level surface.

The fluid tank of the unit needs to be filled with snow fluid before switching on.

Always disconnected it from the mains supply as fluid could be spilled.

Only use quality snow fluids recommended by your dealer. You must not use substances which are classified as '**DANGEROUS WORKING MATERIALS**' or '**FLAMMABLE FLUIDS**'.

If fluid should get inside the main housing, disconnect the unit from the mains immediately and consult a technician.

Installation:

Do not orientate the output nozzle directly in the direction of the audience's eyes.

In order to create the best effect, there should be a distance between the unit and the audience of at least 1.5m.

Only install the snow machine on scratch resistant and water resistant surfaces.

Please make sure that the installation angle does not exceed 15° from horizontal.

This unit is constructed for a free standing or hanging installation. If the unit is to be installed overhead, please follow the safety instructions below:

Rigging installation:

The installation has to be built and constructed in a way that it can hold 10 times the weight of the unit(s) to be installed for 1 hour without any deformation.

The unit must always be secured with a secondary safety attachment, e.g. an appropriate catch net or safety wire. The secondary safety attachment must be constructed in a way that no part of the installed unit can fall down if the main attachment fails.

When rigging, derigging or servicing, do not allow personnel to be directly underneath the unit.

The operator must always make sure that the safety-relating and machine-technical installations are approved by an expert before operation for the first time and after any further changes are made.

The operator has to make sure that the safety-relating and machine-technical installations are approved by a qualified person once a year.

Procedure:

When hanging, the unit must not be installed in areas above where persons may walk by or be seated.

IMPORTANT! OVERHEAD RIGGING REQUIRES EXTENSIVE EXPERIENCE, including (but not limited to) calculating working load limits, installation materials being used, and periodic safety inspection of all installation materials and the unit. If you are not qualified, do not attempt the installation yourself, but instead use a professional structural rigger. Improper installation can result in bodily injury and or damage to property.

The unit has to be installed out of the reach of people.

CAUTION: Units in overhead installations may cause severe injuries when falling! If you have doubts concerning the safety of a possible installation, do not install the unit.

Mount the unit with the bracket to your hanging system using an appropriate clamp or bolt.

For overhead use, always install a safety wire which can hold at least 12 times the weight of the unit. You must only use safety wires with link screw caps.

The maximum drop distance of any safety bond (wire) must never exceed 20cm. A safety wire which has already held the strain of a fallen item or which is defective must not be used again.

Adjust the desired installation angle via the mounting bracket and tighten the screws.



Cleaning and maintenance:

We recommend a frequent cleaning of the unit. Please use a soft lint-free and moistened cloth. Never use alcohol or solvents!

The fluids we recommend are non-hazardous to the environment and can be disposed of via the sewage system.

There are no serviceable parts inside this unit except for the fuse.

Maintenance and service operations are only to be carried out by authorized dealers.

Replacing the fuse:

Only replace the fuse with a fuse of same type and rating.

Before replacing the fuse, disconnect from the mains, see the following for procedure:

Step 1: Open the fuse holder on the rear panel with a suitable screwdriver.

Step 2: Remove the old fuse from the fuse holder.

Step 3: Install the new fuse in the fuse holder.

(Replacement fuses should be of the same value as originally supplied)

Step 4: Replace the fuse holder in the housing.

Should you need any spare parts, only use genuine parts.

If defective, please dispose of the unusable unit in accordance with the current legal regulations.

Should you have any further questions, please contact your dealer.

Operation:

Connect the fog machine to a suitable mains outlet using the IEC cable included.

Turn the switch on the rear of the unit to the on position.

The red LED will illuminate to confirm the machine is ready.

To begin operation press the switch on the handheld remote control, the green LED will illuminate to confirm operation. The machine will now begin to disperse snow.

Care should be taken to ensure the fluid level is maintained and the unit is not allowed to run dry of fluid. Isolate from the mains supply before refilling the fluid tank.



Remote control



Correct Disposal of this Product (Waste Electrical & Electronic Equipment)

**(Applicable in the European Union and other European countries
with separate collection systems)**

This marking shown on the product or its literature, indicates that it should not be disposed of with other household wastes at the end of its working life. To prevent possible harm to the environment or human health from uncontrolled waste disposal, please separate this from other types of wastes and recycle it responsibly to promote the sustainable reuse of material resources.

Household users should contact either the retailer where they purchased this product, or their local government office, for details of where and how they can take this item for environmentally safe recycling.

Business users should contact their supplier and check the terms and conditions of the purchase contract. This product should not be mixed with other commercial wastes for disposal.

