

# EQUINOX

## Shard

### User Manual



Order code: EQLED367

### WARNING

## FOR YOUR OWN SAFETY, PLEASE READ THIS USER MANUAL CAREFULLY BEFORE YOUR INITIAL START-UP!

- Before your initial start-up, please make sure that there is no damage caused during transportation.
- Should there be any damage, consult your dealer and do not use the equipment.
- To maintain the equipment in good working condition and to ensure safe operation, it is necessary for the user to follow the safety instructions and warning notes written in this manual.
- Please note that damages caused by user modifications to this equipment are not subject to warranty.



### IMPORTANT:

The manufacturer will not accept liability for any resulting damages caused by the non-observance of this manual or any unauthorised modification to the equipment.

- Never let the power cable come into contact with other cables. Handle the power cable and all mains voltage connections with particular caution!
- Never remove warning or informative labels from the unit.
- Do not open the equipment and do not modify the unit.
- Do not connect this equipment to a dimmer pack.
- Do not switch the equipment on and off in short intervals, as this will reduce the system's life.
- Only use the equipment indoors.
- Do not expose to flammable sources, liquids or gases.
- Always disconnect the power from the mains when equipment is not in use or before cleaning! Only handle the power-cable by the plug. Never pull out the plug by pulling the power-cable.
- Make sure that the available mains supply voltage is between 100~240V AC, 50/60Hz.
- Make sure that the power cable is never crimped or damaged. Check the equipment and the power cable periodically.
- If the equipment is dropped or damaged, disconnect the mains power supply immediately and have a qualified engineer inspect the equipment before operating again.
- If the equipment has been exposed to drastic temperature fluctuation (e.g. after transportation), do not connect power or switch it on immediately. The arising condensation might damage the equipment. Leave the equipment switched off until it has reached room temperature.
- If your product fails to function correctly, stop use immediately. Pack the unit securely (preferably in the original packing material), and return it to your Pro Light dealer for service.
- Only use fuses of same type and rating.
- Repairs, servicing and power connection must only be carried out by a qualified technician. THIS UNIT CONTAINS NO USER SERVICEABLE PARTS.
- This lighting fixture is for professional use only - it is not designed for or suitable for household use. The product must be installed by a qualified technician in accordance with local territory regulations. The safety of the installation is the responsibility of the installer. The fixture presents risks of severe injury or death due to fire hazards, electric shock and falls.
- Warning! Risk Group 2 LED product according to EN 62471. Do not view the light output with optical instruments or any device that may concentrate the beam.
- WARRANTY: One year from date of purchase.

### OPERATING DETERMINATIONS

If this equipment is operated in any other way, than those described in this manual, the product may suffer damage and the warranty becomes void. Incorrect operation may lead to danger e.g: short-circuit, burns and electric shocks etc.

Do not endanger your own safety and the safety of others!

Incorrect installation or use can cause serious damage to people and/or property.

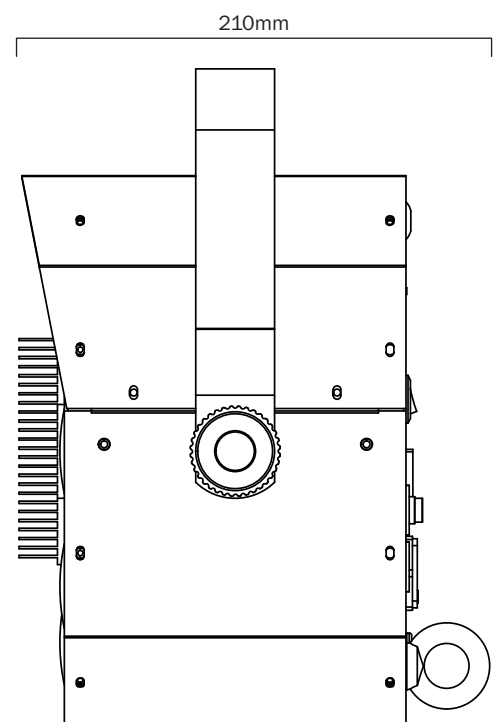
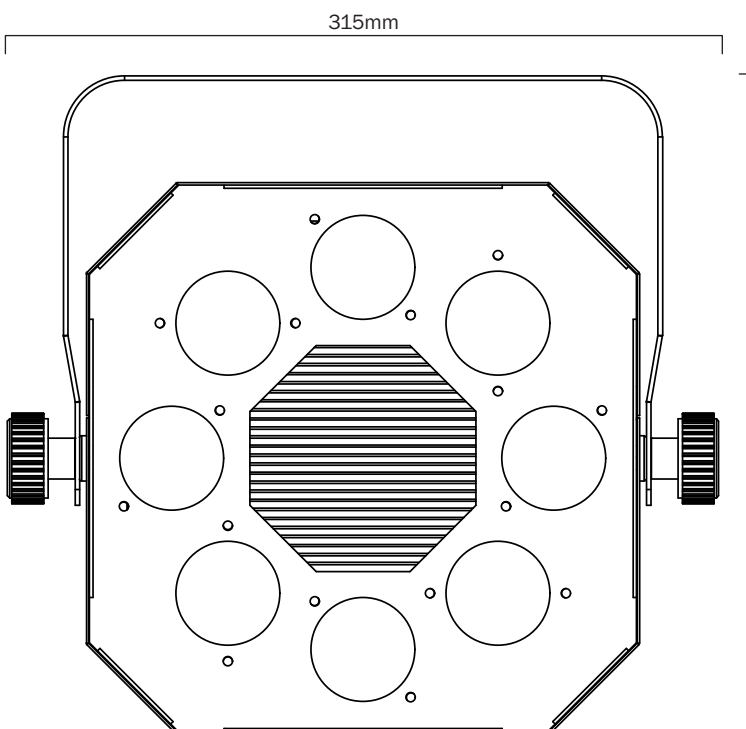
### Shard

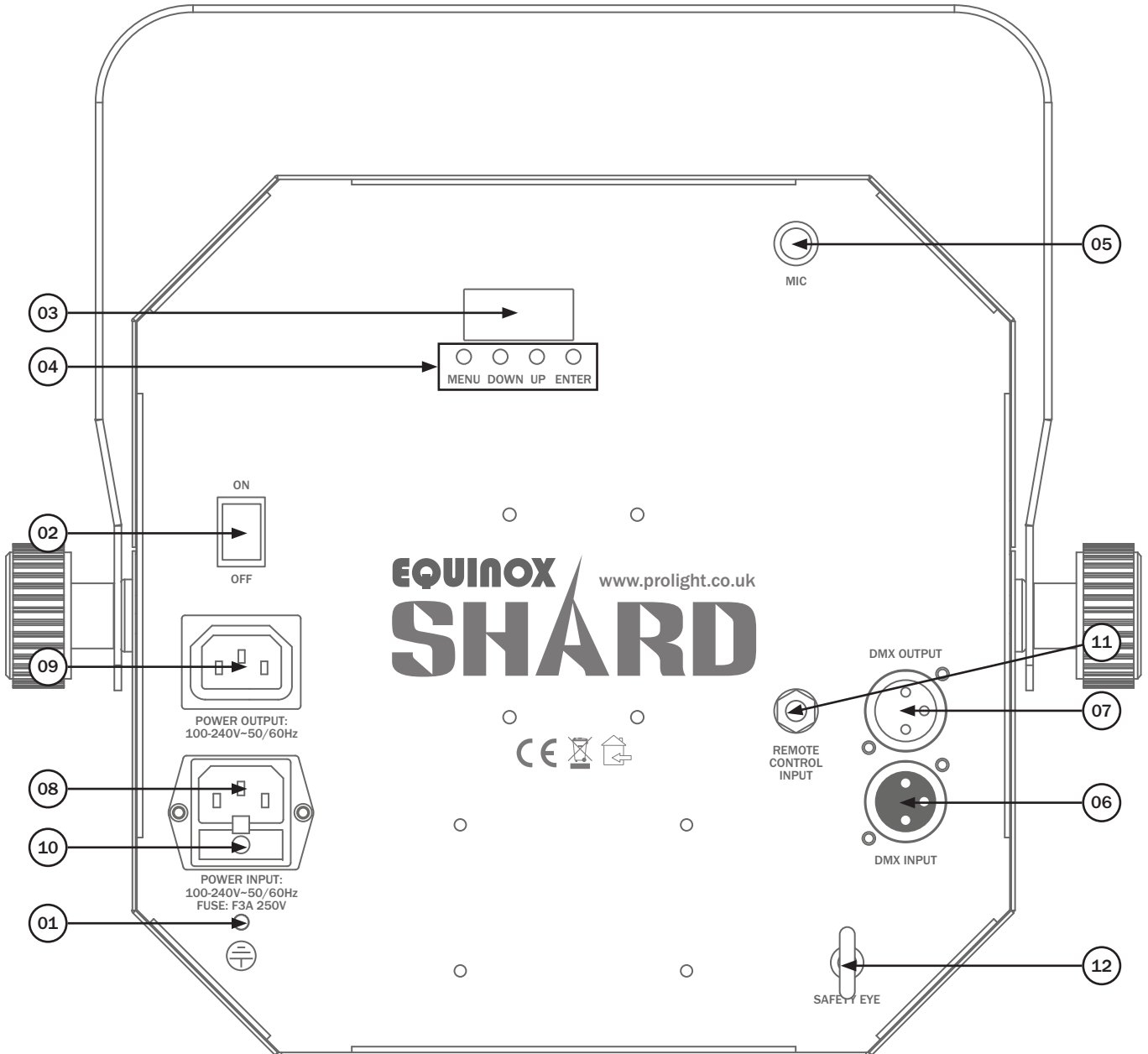
This high output moonflower is powered by a 60W Osram Ostar™ quad-colour RGBW LED. The high-tech Shard produces an intense array of colours combined with pin sharp beams. Several built in shows allow the user to select fast energetic movements and colour changes or a slow constant rotation to emulate a mirror ball effect. The unit features sound active, master/slave and DMX modes along with built-in programs selectable via the 4 button display panel on the rear of the unit. Additionally the unit can be controlled using a CA 8 controller (sold separately).

- 1 x 60W Osram Ostar™ quad-colour LED (RGBW)
- DMX channels: 1/4 or 7 selectable
- Sound active and master/slave modes plus built-in programs
- 0-100% dimming and variable strobe
- Optional CA 8 controller
- Supplied with hanging bracket
- 4 push button menu with LED display
- IEC power input/output
- 3-Pin XLR input/output
- Convection cooled



Specifications	
Power consumption	83W
Power supply	100~240V, 50/60Hz
Fuse	F3A 250V
Dimensions	292 x 315 x 210mm
Weight	3.5kg
Order codes	EQLED367



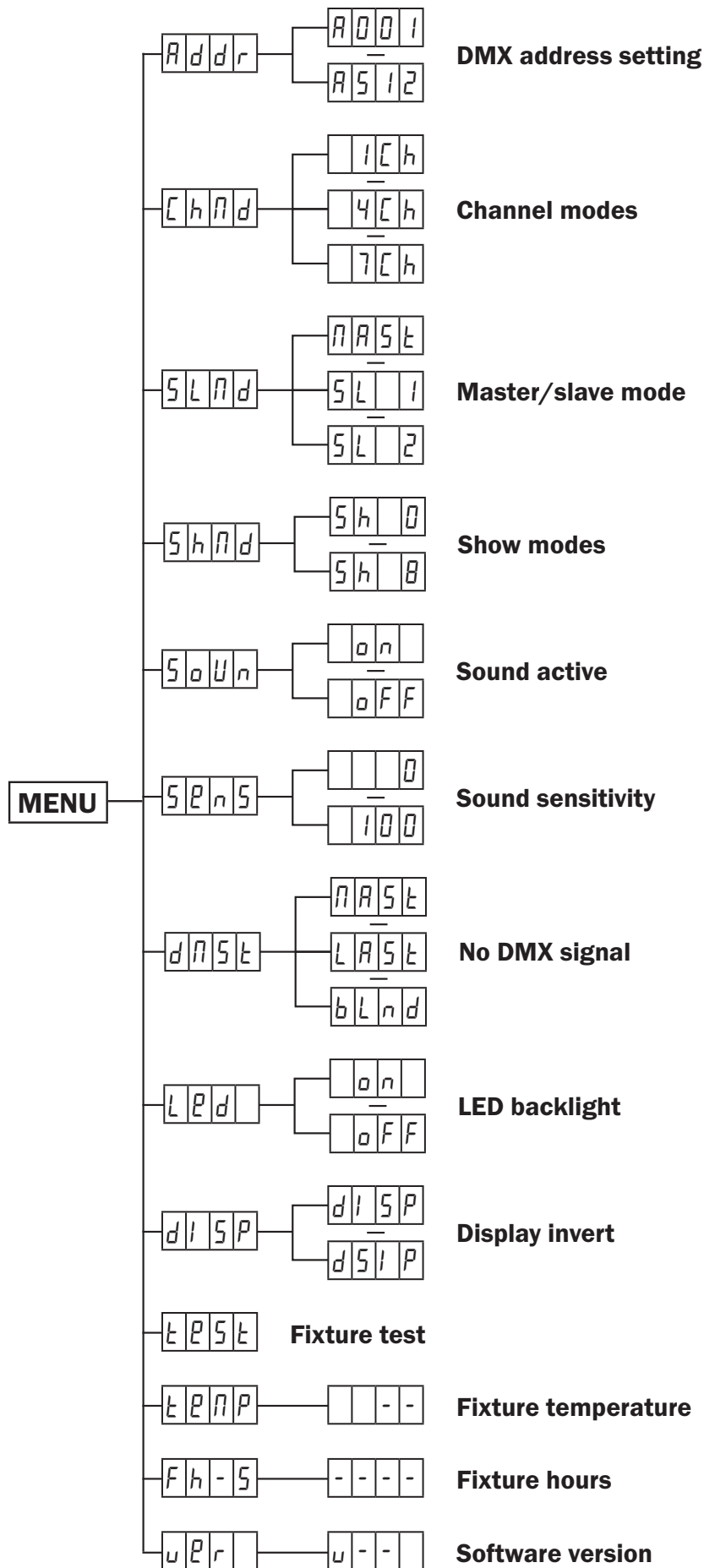


- 01 - Earth point
- 02 - On/off switch
- 03 - LED display
- 04 - Function buttons

- 05 - Microphone
- 06 - 3-Pin DMX input
- 07 - 3-Pin DMX output
- 08 - IEC power input

- 09 - IEC power output
- 10 - Fuse F3A 250V
- 11 - CA 8 control input
- 12 - Safety eye

In the box: **1 x fixture,**  
**1 x power cable,**  
**& 1 x user manual**



### DMX mode:

Operating in a DMX control mode environment gives the user the greatest flexibility when it comes to customising or creating a show. In this mode you will be able to control each individual trait of the fixture and each fixture independently.

To access the DMX address mode, press the “MENU” button and use the “UP” and “DOWN” buttons on the rear of the unit to show *Addr* on the LED display. Now press the “ENTER” button and use the “UP” and “DOWN” buttons to set the required DMX address. Press the “ENTER” button to confirm the setting. To exit out of any of the above options, press the “MENU” button.

### DMX channel mode:

To access the DMX channel mode, press the “MENU” button and use the “UP” and “DOWN” buttons on the rear of the unit to show *Chnd* on the LED display. Now press the “ENTER” button and use the “UP” and “DOWN” buttons to choose one of the 1/4 or 7 DMX channel modes. Press the “ENTER” button to confirm the setting. To exit out of any of the above options, press the “MENU” button.

### 1 channel mode:

Channel	Value	Function	
CH1	000-007	No function	Please note: All shows apart from Show 2 react to sound.  Show 2 is a slow moving single colour change show which doesn't react to sound.
	008-037	Show 1	
	038-067	Show 2	
	068-097	Show 3	
	098-127	Show 4	
	128-157	Show 5	
	158-187	Show 6	
	188-217	Show 7	
	218-247	Show 8	
	248-255	Show 0 (Random show)	

### 7 channel mode:

Channel	Value	Function
CH1	000-255	Master dimmer (0-100%)
CH2	000-255	Strobe (slow-fast)
CH3	000-009	No rotation
	010-120	Clockwise rotation (fast-slow)
	121-134	No rotation
	135-245	Counter-clockwise rotation (slow-fast)
	246-250	No rotation
	251-255	Rotation via sound
CH4	000-255	Red (0-100%)
CH5	000-255	Green (0-100%)
CH6	000-255	Blue (0-100%)
CH7	000-255	White (0-100%)

### 4 channel mode:

Channel	Value	Function
CH1	000-016	Red
	017-033	Green
	034-050	Blue
	051-067	White
	068-084	Red + Green
	085-101	Red + Blue
	102-118	Red + White
	119-135	Green + Blue
	136-152	Green + White
	153-169	Blue + White
	170-186	Red + Green + Blue
	187-203	Red + Green + White
	204-220	Red + Blue + White
	221-237	Green + Blue + White
238-255	Red + Green + Blue + White	
CH2	000-009	No rotation
	010-120	Clockwise rotation (fast-slow)
	121-134	No rotation
	135-245	Counter-clockwise rotation (slow-fast)
	246-250	No rotation
	251-255	Sound active
CH3	000-255	Strobe (slow-fast)
CH4	000-015	LED off
	016-255	LED on

### Master/slave mode:

To set the master unit, press the “MENU” button and use the “UP” and “DOWN” buttons on the rear of the unit to show *SL Nd* on the LED display. Now press the “ENTER” button and use the “UP” and “DOWN” buttons to choose *NRSE*. Press the “ENTER” button to confirm the setting.

Then select your desired program.

To set the other units in slave mode, press the “MENU” button and use the “UP” and “DOWN” buttons on the rear of the unit to show *SL Nd* on the LED display. Now press the “ENTER” button and use the “UP” and “DOWN” buttons to choose either *SL 1~SL 2*. Press the “ENTER” button to confirm the setting. The unit will now run in sequence with the master unit.

To exit out of any of the above options, press the “MENU” button.

Please ensure that all slave units are set to the same DMX channel mode as the master unit.

### Show mode:

To access the show modes, press the “MENU” button and use the “UP” and “DOWN” buttons on the rear of the unit to show *Sh Nd* on the LED display. Now press the “ENTER” button and use the “UP” and “DOWN” buttons to choose between *Sh 0 ~ Sh 8*. Press the “ENTER” button to confirm the setting.

To exit out of any of the above options, press the “MENU” button.

Please note: Show 0 is a random show mode where it runs through all the other build-in shows.

All shows apart from Show 2 react to sound. Show 2 is a slow moving colour change show which doesn't react to sound.

### Sound active:

To access the sound active setting, press the “MENU” button and use the “UP” and “DOWN” buttons on the rear of the unit to show *SOUn* on the LED display. Now press the “ENTER” button and use the “UP” and “DOWN” buttons to choose between *on* or *off*. Press the “ENTER” button to confirm the setting.

To exit out of any of the above options, press the “MENU” button.

### Sound sensitivity:

To adjust the sound sensitivity, press the “MENU” button and use the “UP” and “DOWN” buttons on the rear of the unit to show *SEnS* on the LED display. Now press the “ENTER” button and use the “UP” and “DOWN” buttons to choose between *0 ~ 100*. Press the “ENTER” button to confirm the setting.

**Value: 0 - 100 (0 = low, 100 = high)**

To exit out of any of the above options, press the “MENU” button.

### DMX signal lost:

To change what the unit does when the DMX signal is lost, press the “MENU” button and use the “UP” and “DOWN” buttons on the rear of the unit to show *dNSt* on the LED display. Now press the “ENTER” button and use the “UP” and “DOWN” buttons to choose between *MASt* (Master/Slave), *LASt* (Hold the last DMX command) or *bLnd* (Blackout). Press the “ENTER” button to confirm the setting. To exit out of any of the above options, press the “MENU” button.

### LED backlight:

To access the LED backlight setting, press the “MENU” button and use the “UP” and “DOWN” buttons on the rear of the unit to show *LEd* on the LED display. Now press the “ENTER” button and use the “UP” and “DOWN” buttons to choose between *on* or *oFF*. Press the “ENTER” button to confirm the setting. To exit out of any of the above options, press the “MENU” button.

### Display invert setting:

To access the display invert setting, press the “MENU” button and use the “UP” and “DOWN” buttons on the rear of the unit to show *dI SP* on the LED display. Now press the “ENTER” button and use the “UP” and “DOWN” buttons to choose between *dI SP* or *dSI P*. Press the “ENTER” button to confirm the setting. To exit out of any of the above options, press the “MENU” button.

### Fixture test:

To access the fixture test setting, press the “MENU” button and use the “UP” and “DOWN” buttons on the rear of the unit to show *tPSt* on the LED display. Now press the “ENTER” button. The unit will now run through its tests (colours, full on and then motor rotation). To exit out of any of the above options, press the “MENU” button.

### Fixture temperature:

To access the fixtures temperature, press the “MENU” button and use the “UP” and “DOWN” buttons on the rear of the unit to show *tPnP* on the LED display. Now press the “ENTER” button. The unit will now display the fixtures temperature. To exit out of any of the above options, press the “MENU” button.

### Fixture hours:

To access the fixtures usage time, press the “MENU” button and use the “UP” and “DOWN” buttons on the rear of the unit to show *Fh - S* on the LED display. Now press the “ENTER” button. The unit will now display the fixtures usage time (hours). To exit out of any of the above options, press the “MENU” button.

### Software version:

To access the fixtures software version, press the “MENU” button and use the “UP” and “DOWN” buttons on the rear of the unit to show *vPv* on the LED display. Now press the “ENTER” button. The unit will now display the fixtures software version. To exit out of any of the above options, press the “MENU” button.



### CA 8 function:

The unit has a CA 8 remote control input on the rear. This may be used with the CA 8 hand controller (sold separately) to control the unit. Please see functions below.

**Blackout** - By pressing the Stand By button the fixture will blackout.

**Mode** - Use this button to put the fixture into strobe, auto or show modes.

Strobe mode (LED off)

Auto mode (LED on)

Show modes (LED flashing)

**Function** - Once you have chosen the mode you require use this button to set the strobe program/auto mode speed or show modes.

Strobe mode - 1. Synchronous strobe

2. Two light strobe

3. Strobe via sound

Auto mode - Rotation speed (1-9)

Show modes - Shows 1-8

### Setting the DMX address:

The DMX mode enables the use of a universal DMX controller. Each fixture requires a “start address” from 1- 512. A fixture requiring one or more channels for control begins to read the data on the channel indicated by the start address. For example, a fixture that occupies or uses 7 channels of DMX and was addressed to start on DMX channel 100, would read data from channels: 100,101,102,103,104,105 and 106. Choose a start address so that the channels used do not overlap. E.g. the next unit in the chain starts at 107.

### DMX 512:

DMX (Digital Multiplex) is a universal protocol used as a form of communication between intelligent fixtures and controllers. A DMX controller sends DMX data instructions from the controller to the fixture. DMX data is sent as serial data that travels from fixture to fixture via the DATA “IN” and DATA “OUT” XLR terminals located on all DMX fixtures (most controllers only have a data “out” terminal).

### DMX linking:

DMX is a language allowing all makes and models of different manufactures to be linked together and operate from a single controller, as long as all fixtures and the controller are DMX compliant. To ensure proper DMX data transmission, when using several DMX fixtures try to use the shortest cable path possible. The order in which fixtures are connected in a DMX line does not influence the DMX addressing. For example; a fixture assigned to a DMX address of 1 may be placed anywhere in a DMX line, at the beginning, at the end, or anywhere in the middle. When a fixture is assigned a DMX address of 1, the DMX controller knows to send DATA assigned to address 1 to that unit, no matter where it is located in the DMX chain.

### DATA cable (DMX cable) requirements (for DMX operation):

This fixture can be controlled via DMX-512 protocol. The DMX address is set on the back of the unit. Your unit and your DMX controller require a standard 3-pin XLR connector for data input/output, see image below.



Further DMX cables can be purchased from all good sound and lighting suppliers or Pro Light Concepts dealers.

Please quote:

**CABL10 – 2m**

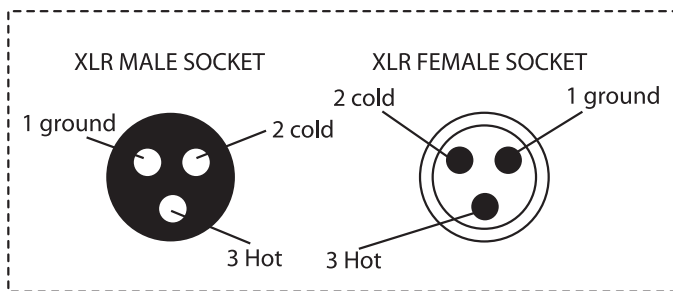
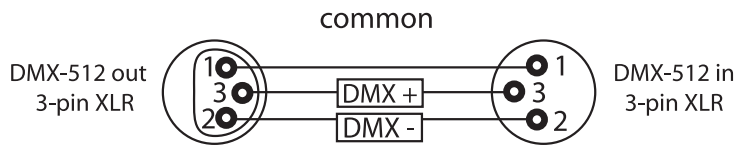
**CABL11 – 5m**

**CABL12 – 10m**

Also remember that DMX cable must be daisy chained and cannot be split.

**Notice:**

Be sure to follow the diagrams below when making your own cables. Do not connect the cables shield conductor to the ground lug or allow the shield conductor to come in contact with the XLRs outer casing. Grounding the shield could cause a short circuit and erratic behaviour.



XLR Pin Configuration
Pin 1 = Ground
Pin 2 = Negative
Pin 3 = Postive

**Special note:**

**Line termination:**

When longer runs of cable are used, you may need to use a terminator on the last unit to avoid erratic behaviour.

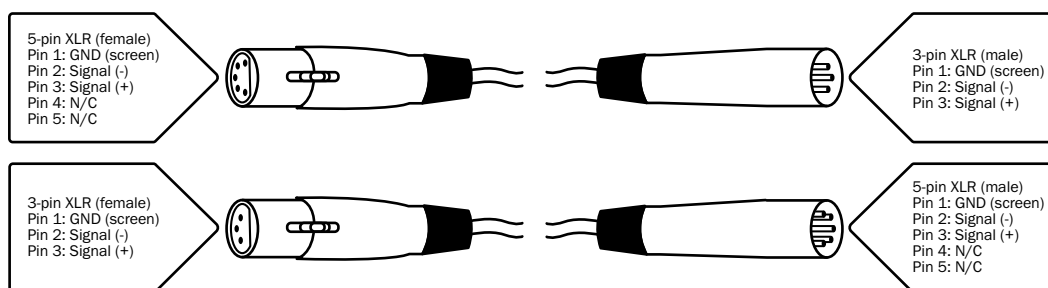
**Using a cable terminator will decrease the possibilities of erratic behaviour.**

**(3-pin - Order ref: CABL90, 5-pin - Order ref: CABL89)**

Termination reduces signal transmission problems and interference. It is always advisable to connect a DMX terminal, (resistance 120 Ohm 1/4 W) between pin 2 (DMX-) and pin 3 (DMX+) of the last fixture.

**5-pin XLR DMX connectors:**

Some manufactures use 5-pin XLR connectors for data transmission in place of 3-pin. 5-pin XLR fixtures may be implemented in a 3-pin XLR DMX line. When inserting standard 5-pin XLR connectors in to a 3-pin line a cable adaptor must be used. The diagram below details the correct cable conversion.





### ***Correct Disposal of this Product (Waste Electrical & Electronic Equipment)***

**(Applicable in the European Union and other European countries  
with separate collection systems)**

This marking shown on the product or its literature, indicates that it should not be disposed of with other household wastes at the end of its working life. To prevent possible harm to the environment or human health from uncontrolled waste disposal, please separate this from other types of wastes and recycle it responsibly to promote the sustainable reuse of material resources.

Household users should contact either the retailer where they purchased this product, or their local government office, for details of where and how they can take this item for environmentally safe recycling.

Business users should contact their supplier and check the terms and conditions of the purchase contract. This product should not be mixed with other commercial wastes for disposal.

