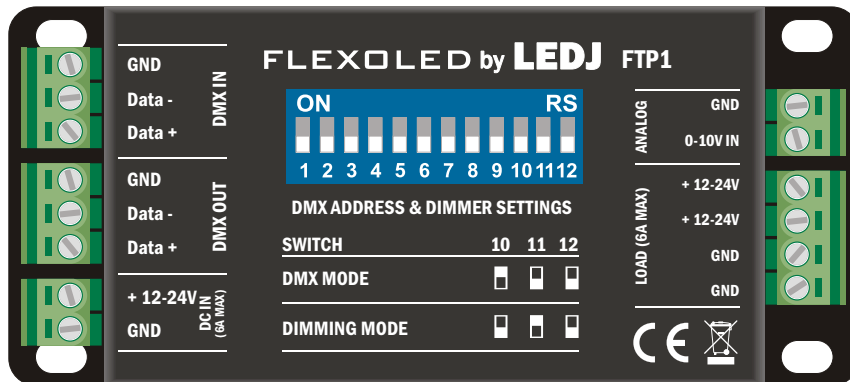


# FLEXOLED by LEDJ

## FTP1 Single Channel LED DMX Driver

### User Manual



Order code: FLEX29

**WARNING****FOR YOUR OWN SAFETY, PLEASE READ THIS USER MANUAL CAREFULLY BEFORE YOUR INITIAL START-UP!**

- Before your initial start-up, please make sure that there is no damage caused during transportation.
- Should there be any damage, consult your dealer and do not use the equipment.
- To maintain the equipment in good working condition and to ensure safe operation, it is necessary for the user to follow the safety instructions and warning notes written in this manual.
- Please note that damages caused by user modifications to this equipment are not subject to warranty.

**IMPORTANT:**

The manufacturer will not accept liability for any resulting damages caused by the non-observance of this manual or any unauthorised modification to the equipment.

- This product is designed to be installed by a competent, qualified installation technician into commercial environments.
- Never let the power cable come into contact with other cables. Handle the power cable and all mains voltage connections with particular caution!
- Never remove warning or informative labels from the unit.
- Do not open the equipment and do not modify the unit.
- Do not connect this equipment to a dimmer pack.
- Do not switch the equipment on and off in short intervals, as this will reduce the system's life.
- Only use the equipment indoors.
- Do not expose to flammable sources, liquids or gases.
- Always disconnect the power from the mains when equipment is not in use or before cleaning! Only handle the power-cable by the plug. Never pull out the plug by pulling the power-cable.
- Make sure that the available voltage is between 12-24V DC.
- Make sure that the power cable is never crimped or damaged. Check the equipment and the power cable periodically.
- If the equipment is dropped or damaged, disconnect the mains power supply immediately and have a qualified engineer inspect the equipment before operating again.
- If the equipment has been exposed to drastic temperature fluctuation (e.g. after transportation), do not connect power or switch it on immediately. The arising condensation might damage the equipment. Leave the equipment switched off until it has reached room temperature.
- If your product fails to function correctly, stop use immediately. Pack the unit securely (preferably in the original packing material), and return it to your Pro Light dealer for service.
- Only use fuses of same type and rating.
- Repairs, servicing and power connection must only be carried out by a qualified technician.
- THIS UNIT CONTAINS NO USER SERVICEABLE PARTS.
- WARRANTY: One year from date of purchase.

**OPERATING DETERMINATIONS**

If this equipment is operated in any other way, than those described in this manual, the product may suffer damage and the warranty becomes void. Incorrect operation may lead to danger e.g: short-circuit, burns and electric shocks etc.

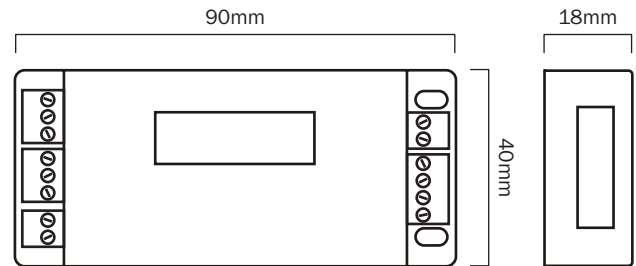
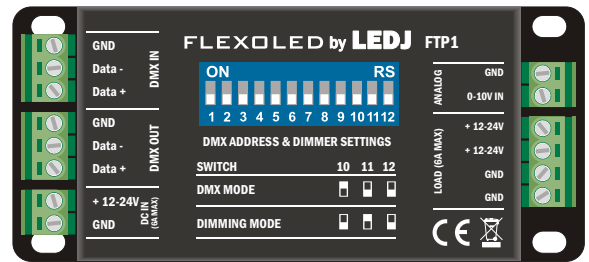
Do not endanger your own safety and the safety of others!

Incorrect installation or use can cause serious damage to people and/or property.

## FTP1 Single Channel LED DMX Driver

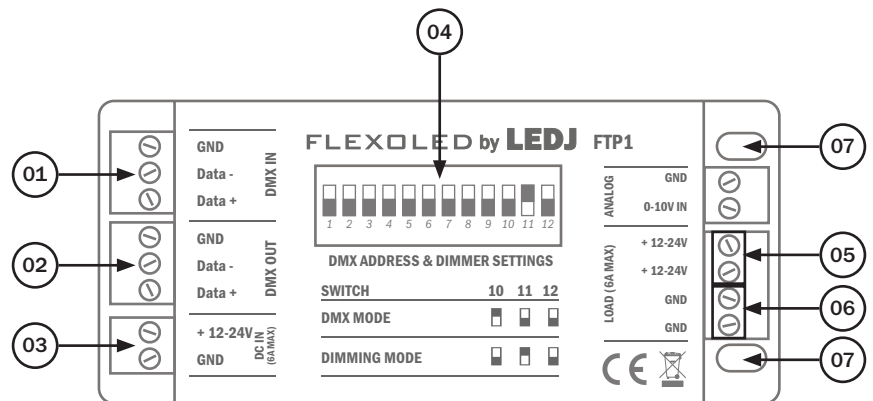
The FTP1 single channel LED DMX Driver is suitable for most types of 12-24V flexible strips requiring constant voltage control. After connecting an LED Strip with this single channel controller you can utilise the manual dimming mode or for integration into larger systems the DMX or 0-10V inputs may be used.

- Constant voltage driver for 12-24V DC LED flexible strip
- Housed in a compact, rugged metal casing
- Phoenix type plug in terminals
- Manual dimming mode vid dipswitches
- 0-10V analogue control input
- Dipswitch DMX address selection
- HTP auto selection between DMX and 0-10V input



Specifications	FTP1 LED DMX Driver
Power supply	DC 12-24V
Maximum total output	6A
Dimensions	18 x 90 x 40mm
Weight	0.13kg
IP rating	IP20
Order code	FLEX29

In the box: 1 x unit & 1 x user manual



- |                              |                                  |
|------------------------------|----------------------------------|
| 01 - 3-Pin DMX in terminal   | 05 - +VE common output terminals |
| 02 - 3-Pin DMX out terminal  | 06 - Ground                      |
| 03 - 2-Pin power in terminal | 07 - Mounting points             |
| 04 - Dipswitches             |                                  |

**DMX mode:**

In DMX mode, dipswitch 10 should be in the “ON” position. The DMX address is set by combining dipswitches (0-9) that add up to the value required between 001-511. Please refer to the table below for more information.

Dipswitch	Value
1	1
2	2
3	4
4	8
5	16
6	32
7	64
8	128
9	256



**DMX address examples:**

To set the DMX address to “021”;  
Switch dipswitches 1, 3 and 5 in the “ON” position.

$$\begin{aligned}
 1 &= 1 \\
 3 &= 4 \\
 5 &= 16 \\
 \hline
 &= 21
 \end{aligned}$$

To set the DMX address to “451”;  
Switch dipswitches 1, 2, 7, 8 and 9 in the “ON” position.

$$\begin{aligned}
 1 &= 1 \\
 2 &= 2 \\
 7 &= 64 \\
 8 &= 128 \\
 9 &= 256 \\
 \hline
 &= 451
 \end{aligned}$$

**1 channel mode:**

Channel	Value	Function
1	000-255	Dimmer (0-100%)

**Manual dimming/static colour selection mode:**

In manual dimming mode, dipswitch 11 should be in the “ON” position. The LED intensity is set by combining dipswitches that add up to the value required between 001-255 (0-100%). Please refer to the table below for more information.

Dipswitch	Value
1	1
2	2
3	4
4	8
5	16
6	32
7	64
8	128



**DMX address examples:**

To set the DMX address to “035”;  
Switch dipswitches 1, 2 and 6 in the “ON” position.

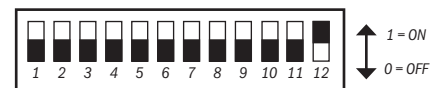
$$\begin{aligned}
 1 &= 1 \\
 2 &= 2 \\
 6 &= 32 \\
 \hline
 &= 35
 \end{aligned}$$

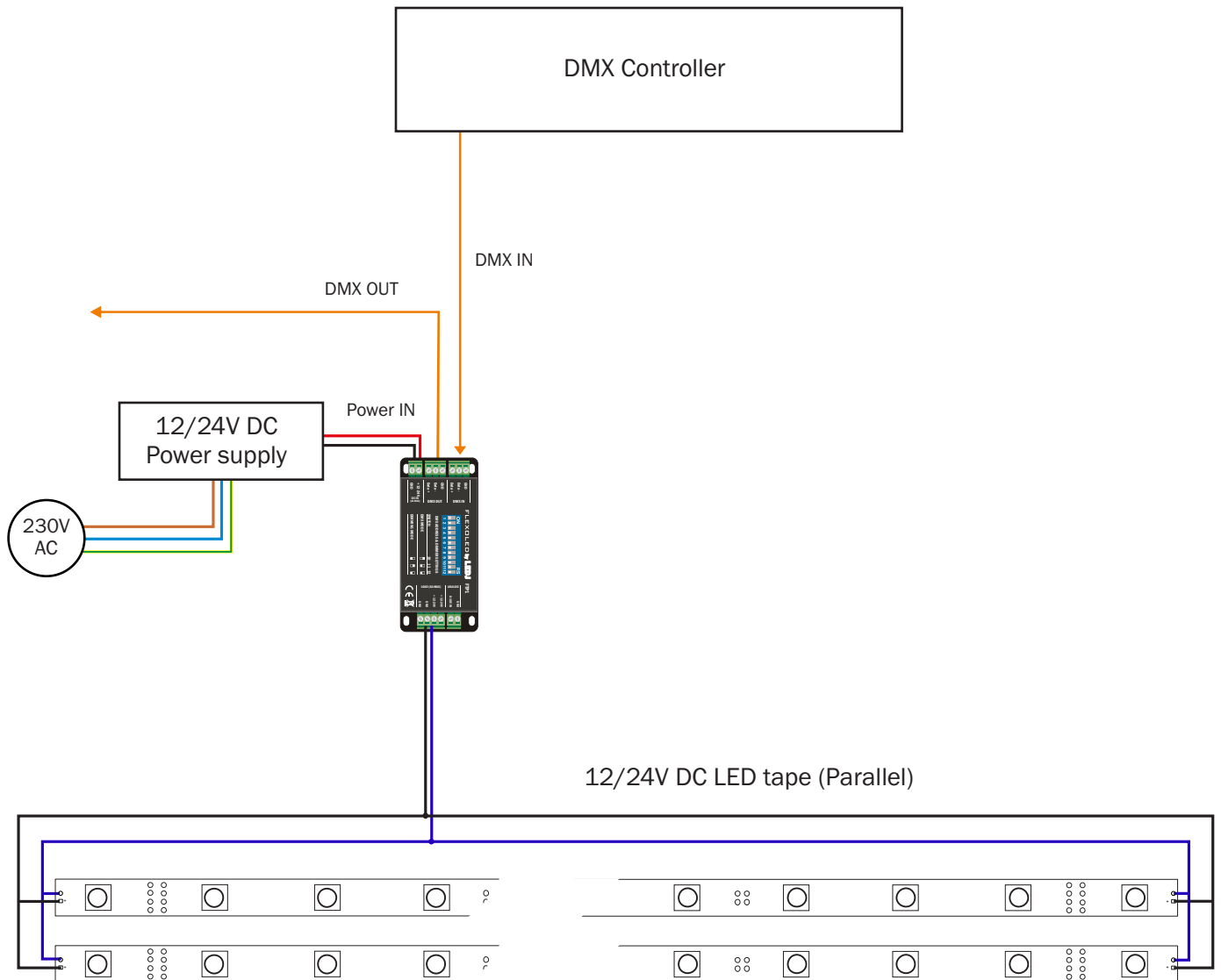
To set the DMX address to “192”;  
Switch dipswitches 7, and 8 in the “ON” position.

$$\begin{aligned}
 7 &= 64 \\
 8 &= 128 \\
 \hline
 &= 192
 \end{aligned}$$

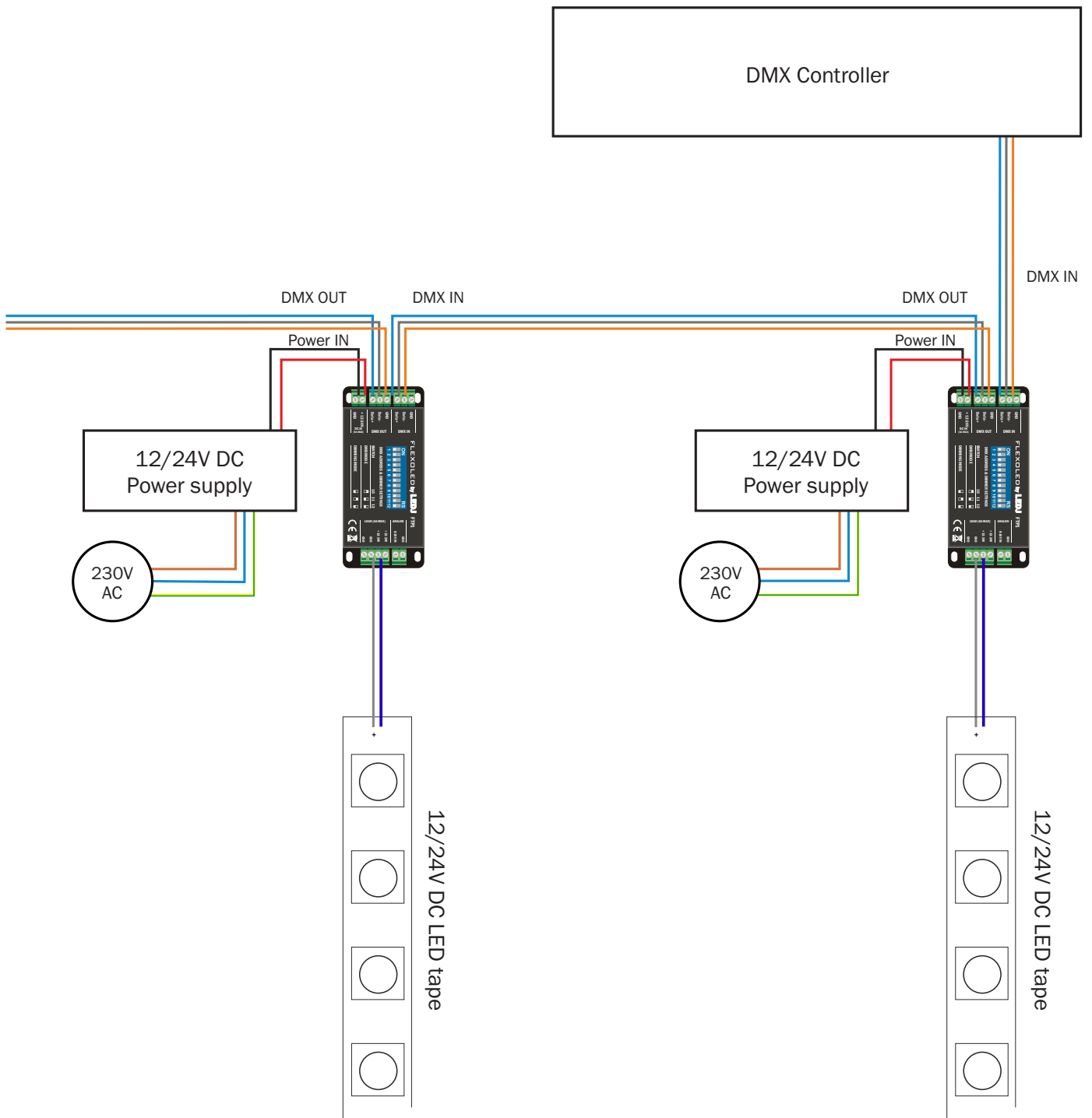
**Analogue mode:**

In analogue mode, dipswitch 12 should be in the “ON” position. The analogue input is between 0-10V and can be set at an intensity of between 0-100%. When a DMX signal or Manual dimming is present along with a 0-10V signal the higher value will take precedence and override the others (HTP).





Please note: The feed cable between the controller and the LED tape must be kept as short as possible. Using a large diameter cable will prevent voltage drop issues over longer distances. Wiring in parallel with feed cables to both ends of the LED tape will prevent colour fades across the length of the tape.



Please contact your local retailer to purchase these related items.



Flexoled F01 Cool White  
Flexible Colour Strip (5m roll)  
Order code: FLEX01CW



Flexoled F01 Warm White  
Flexible Colour Strip (5m roll)  
Order code: FLEX01WW



Visio Meanwell P-LPV-60-24 PSU  
Order code: LEDC232

To keep up-to-date on the latest accessories and product range additions please visit [www.prolight.co.uk](http://www.prolight.co.uk)



***Correct Disposal of this Product  
(Waste Electrical & Electronic Equipment)***

**(Applicable in the European Union and other European countries  
with separate collection systems)**

This marking shown on the product or its literature, indicates that it should not be disposed of with other household wastes at the end of its working life. To prevent possible harm to the environment or human health from uncontrolled waste disposal, please separate this from other types of wastes and recycle it responsibly to promote the sustainable reuse of material resources.

Household users should contact either the retailer where they purchased this product, or their local government office, for details of where and how they can take this item for environmentally safe recycling.

Business users should contact their supplier and check the terms and conditions of the purchase contract. This product should not be mixed with other commercial wastes for disposal.

