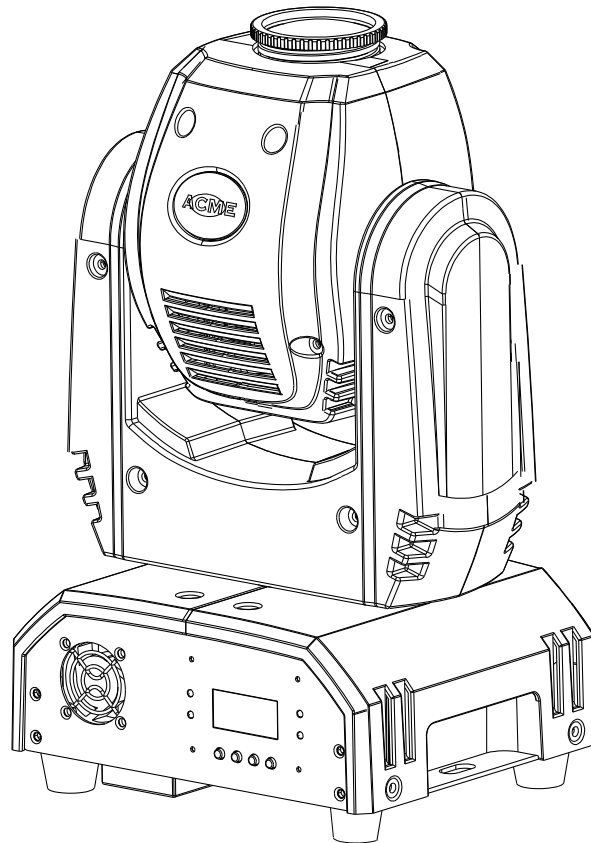


# **iSolution**

Your integrated Solution

## **iMove 150**

Order Code: ISIM29



**User Manual**

Please read the instructions carefully before use

# CONTENTS

1. Safety Instructions.....	2
2. Technical Specifications.....	3
3. How To Set The Unit.....	4
3.1 Fixture Overview .....	4
3.2 Gobo Wheel.....	6
3.3 Main Functions .....	6
3.4 Home Position Adjustment .....	12
4. How to Control the Unit.....	13
4.1 Master/Slave Built In Preprogrammed Function.....	13
4.2 CA-8 Easy Controller .....	14
4.3 DMX Controller.....	14
5. DMX 512 Configuration .....	15
6. DMX Connection .....	19
7. Troubleshooting .....	20
8. Fixture Cleaning.....	21

## 1. Safety Instructions



WARNING

Please read the instructions carefully as they include important information about installation, usage and maintenance.

Please keep this User Guide for future consultation. If you sell the unit to another user, be sure that they also receive this instruction manual.

- Unpack and check carefully there is no transportation damage before using the unit.
- Before operating, ensure that the voltage and frequency of power supply match the power requirements of the unit.
- It's important to ground the yellow/green conductor to earth in order to avoid electric shock.
- The unit is for indoor use only. Use only in a dry location.
- The unit must be installed in a location with adequate ventilation, at least 50cm from adjacent surfaces. Be sure that no ventilation slots are blocked.
- Disconnect main power before replacement or servicing.
- Make sure there are no flammable materials close to the unit while operating as they may be a fire hazard.
- Use safety cables when installing this unit. DO NOT handle the unit with its head only, always carry by its base.
- Maximum ambient temperature is  $T_a$ : 40 degrees C. DO NOT operate it where the temperature is higher than this.
- Turn off the power and allow about 15 minutes for the unit to cool down before replacing or servicing.
- In the event of a serious operating problem, stop using the unit immediately. Never try to repair the unit by yourself. Repairs carried out by unskilled people can lead to damage or malfunction. Please contact the nearest authorized technical assistance center. Always use the same type spare parts.
- DO NOT touch any power cables during operation as high voltage may cause electric shock.

## Warning

- To prevent or reduce the risk of electrical shock or fire, do not expose the unit to rain or moisture.
- The housing and lenses must be replaced if they are visibly damaged.

## Installation

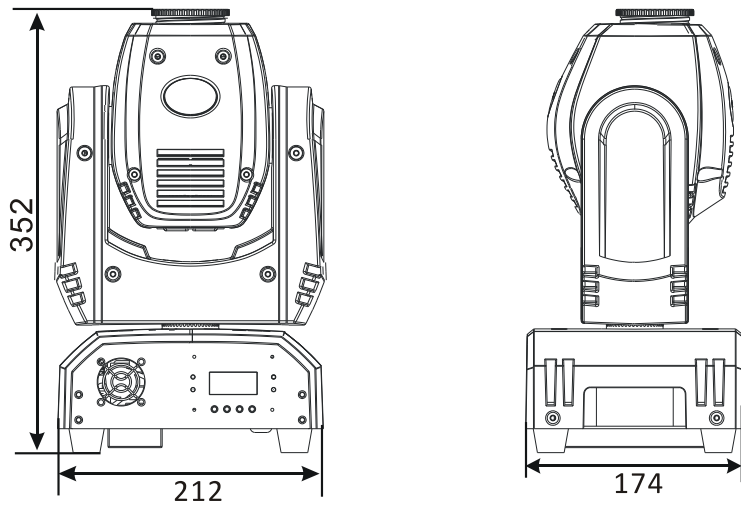
The unit should be mounted via its screw holes on the bracket. Always ensure that the unit is firmly fixed to avoid vibration and slipping while operating and make sure that the structure to which you are attaching the unit is secure and is able to support a weight of 10 times of the unit's weight. Always use a safety cable that can hold 12 times of the weight of the fixture when installing.

The equipment must be installed by professionals. It must be installed in a place where is out of the reach of people and no one can pass by or under it.

## 2. Technical Specifications

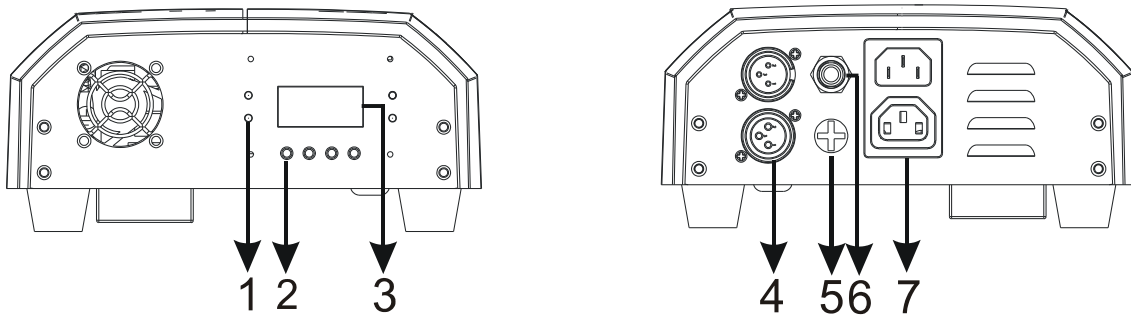
- ◇ Compact moving spot with a powerful output
- ◇ DMX Channels: 8/10
- ◇ Control modes: DMX, Master/Slave and Sound Active.
- ◇ Great built-in shows in master/slave mode triggered by the music.
- ◇ Gobo wheel: 6 rotating gobos plus open
- ◇ Colour wheel: 8 colours plus white
- ◇ 14° beam angle
- ◇ 0%-100% smooth dimming and various strobe effects

- **Power Voltage:** AC 100~240V, 50/60Hz
- **Power Consumption:** 70W
- **Light Source:** 1 x 32W high Output LED
- **Beam Angle:** 14°
- **Weight:** 5.3Kgs
- **Dimensions:** 212 x 174 x 352mm



### 3. How To Set The Unit

#### 3.1 Fixture Overview



#### 1. LED:

<b>DMX</b>	On	DMX input present
<b>MASTER</b>	On	Master Mode
<b>SLAVE</b>	On	Slave Mode
<b>SOUND</b>	Flashing	Sound activation

#### 2. Button:

<b>MENU</b>	To select the programming functions
<b>▼ DOWN</b>	To go backward in the selected functions
<b>▲ UP</b>	To go forward in the selected functions

<b>ENTER</b>	To confirm the selected functions
--------------	-----------------------------------

### **3. LED Display:**

Used to show the various menus and selected functions.

### **4. DMX IN/OUT:**

#### **DMX IN:**

Use a 3-pin DMX cable to link the unit to another unit or DMX controller.

#### **DMX OUT**

DMX 512 link, use a 3-pin DMX cable to link the next unit and the output DMX signal.

### **5. Only For Remote Control:**

Connects to optional CA-8 controller to control the unit in Stand by, Function and Strobe/Blackout modes.

### **6. Fuse:**

Protects the unit from over-voltage or short circuit.

### **7. Mains In/Out**

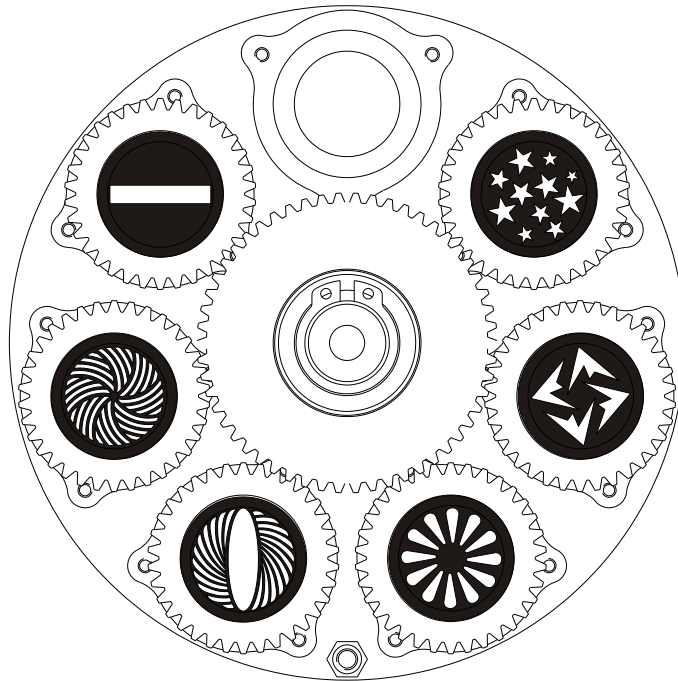
#### **Mains in:**

IEC connection from mains power supply.

#### **Mains out:**

IEC connection for power supply to the next unit.

### 3.2 Gobo Wheel



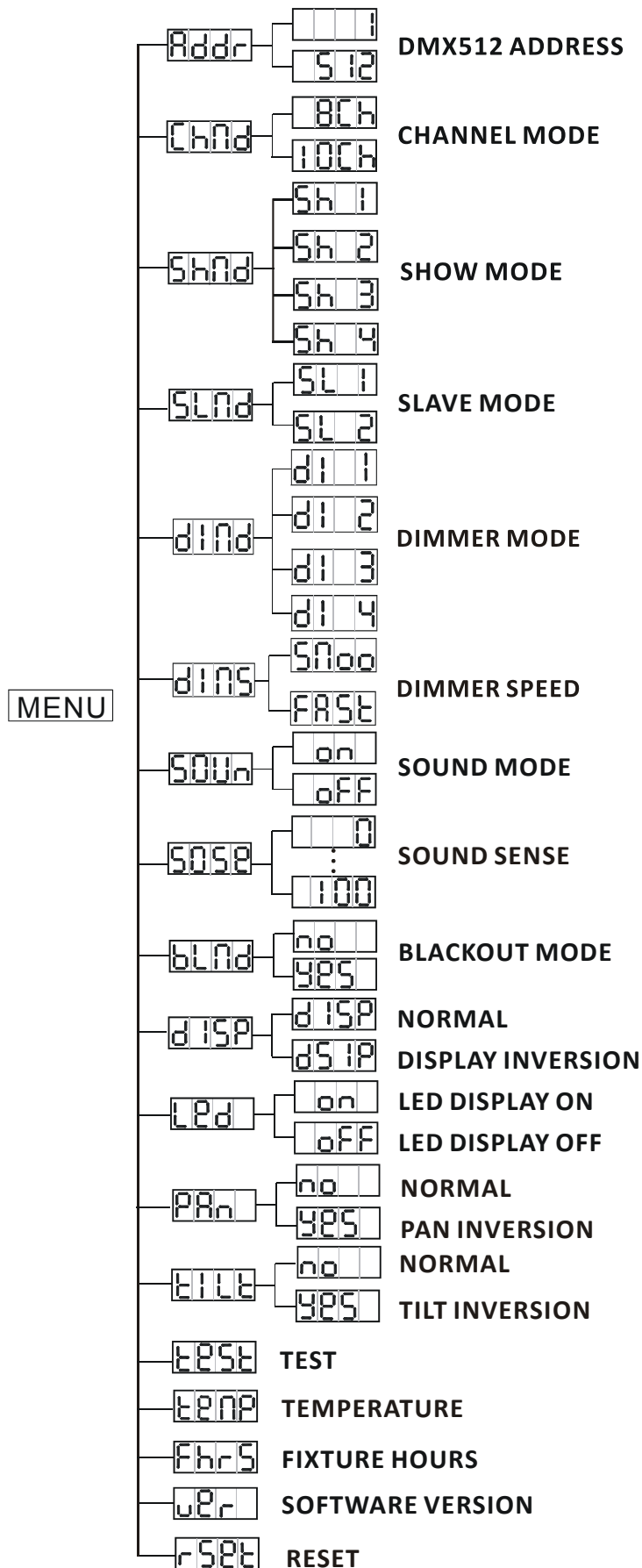
**Rotating gobo wheel**

***DANGER!***  
***Only Install/change the gobo-wheel with the unit switched off.***

### 3.3 Main Functions

To select any of the given functions, press the **MENU** button until the required function is showing on the display. Select the function by pressing the **ENTER** button and the display will blink. Use the **DOWN/UP** buttons to change the mode. Once the required mode has been selected, press the **ENTER** button to setup. To go back to the functions without any changes press the **MENU** button again. Press and hold the **MENU** button for about one second or wait for one minute to exit the menu mode.

The main functions are shown overleaf:





## **Addr** DMX 512 ADDRESS

To select **Addr**, press the **ENTER** button to show the **DMX ADDRESS** on the display. Use the **DOWN/UP** buttons to adjust the address from **1** to **512**. Once the address has been selected press the **ENTER** button to setup. To go back to the functions without any changes press the **MENU** button again. Press and hold the MENU button for about one second or wait for one minute to exit the menu mode.

## **ChNd** CHANNEL MODE

To select **ChNd**, press the **ENTER** button to show the **DMX CHANNEL MODE** on the display. Use the **DOWN/UP** buttons to select the **8 CH** or **10 CH** mode. Once the mode has been selected, press the **ENTER** button to setup. To go back to the functions without any changes press the **MENU** button again. Press and hold the MENU button for about one second or wait for one minute to exit the menu mode.

## **ShNd** SHOW MODE

To select **ShNd**, press the **ENTER** button to show the **SHOW MODE** on the display. Use the **DOWN/UP** buttons to select the **Sh 1** (Show 1), **Sh 2** (Show 2), **Sh 3** (Show 3) or **Sh 4** (Show 4) mode. Once the show mode has been selected press the **ENTER** button to setup. To go back to the functions without any changes press the **MENU** button again. Press and hold the MENU button for about one second or wait for one minute to exit the menu mode.

## **SLNd** SLAVE MODE

To select **SLNd**, press the **ENTER** button to show the **SLAVE MODE** on the display. Use the **DOWN/UP** button to select the **SL 1** (normal), **SL 2** (2 light show) mode. Once the mode has been selected, press the **ENTER** button to setup. To go back to the functions without any changes press the **MENU** button again. Press and hold the MENU button for about one second or wait for one minute to exit the menu mode.

## **d1nD** DIMMER MODE

To select **d1nD**, press the **ENTER** button to show the **DIMMER MODE** on the display. Use the **DOWN/UP** buttons to select the **d1:1** (Dimmer 1), **d1:2** (Dimmer2), **d1:3** (Dimmer 3) or **d1:4** (Dimmer 4) mode. Once the show has been selected press the **ENTER** button to setup. To go back to the functions without any changes press the **MENU** button again. Press and hold the **MENU** button for about one second or wait for 7 seconds to exit the menu mode.

## **d1nS** DIMMER SPEED

To select **d1nS**, press the **ENTER** button to show the **DIMMER SPEED** on the display. Use the **DOWN/UP** buttons to select the **Smooth** (Smooth) or **FAST** (Fast) mode. Once the show has been selected press the **ENTER** button to setup. To go back to the functions without any changes press the **MENU** button again. Press and hold the **MENU** button for about one second or wait for 7 seconds to exit the menu mode.

## **S0Un** SOUND MODE

To select **S0Un**, press the **ENTER** button to show the **SOUND MODE** on the display. Use the **DOWN/UP** buttons to select the **On** (sound mode on) or **OFF** (sound mode off). Once the mode has been selected, press the **ENTER** button to setup. To go back to the functions without any changes press the **MENU** button again. Press and hold the **MENU** button for about one second or wait for one minute to exit the menu mode.

## **S0SE** SOUND SENSE

To select **S0SE**, press the **ENTER** button to show the **SOUND SENSE** on the display. Use the **DOWN/UP** buttons to adjust the sound sensitivity from **0** to **100**. Once selected press the **ENTER** button to setup. To go back to the functions without any changes press the **MENU** button again. Press and hold the **MENU** button for about one second or wait for one minute to exit the menu mode.

## **BLND** BLACKOUT MODE

To select **BLND**, press the **ENTER** button to show the **BLACKOUT MODE** on the display. Use the **DOWN/UP** buttons to select the **no** (normal) or **YES** (blackout) mode. Once the mode has been selected press the **ENTER** button to setup. To go back to the functions without any changes press the **MENU** button again. Press and hold the MENU button for about one second or wait for one minute to exit the menu mode.

## **DISP** DISPLAY

To select **DISP**, press the **ENTER** button to show the **DISPLAY** on the display. Use the **DOWN/UP** buttons to select the **DISP** (normal) or **DISP** (display inversion). To go back to the functions without any changes press the **MENU** button again. Press and hold the MENU button for about one second or wait for one minute to exit the menu mode:

**DISP** Display normal mode for floor standing fixture;

**DISP** Display inversion mode for ceiling or truss mounting.

## **LED** LED DISPLAY

To select **LED**, press the **ENTER** button to show the **LED DISPLAY** on the display. Use the **DOWN/UP** buttons to select the **on** (LED display on) or **OFF** (LED display off) mode. Once the mode has been selected press the **ENTER** button to setup. To go back to the functions without any changes press the **MENU** button again. Press and hold the MENU button for about one second or wait for one minute to exit the menu mode.

## **PAN** PAN INVERSION

To select **PAN**, press the **ENTER** button to show the **PAN INVERSION** on the display. Use the **DOWN/UP** buttons to select the **no** (normal) or **YES** (pan inversion) mode. Once the mode has been selected press the **ENTER** button to setup. To go back to the functions without any changes press the **MENU** button again. Press and hold the MENU button for about one second or wait for one minute to exit the menu mode.

## **EIL** TILT INVERSION

To select **EIL**, press the **ENTER** button to show the **TILT INVERSION** on the display. Use the **DOWN/UP** buttons to select the **no** (normal) or **YES** (tilt inversion) mode. Once the mode has been selected press the **ENTER** button to setup. To go back to the functions without any changes press the **MENU** button again. Press and hold the **MENU** button for about one second or wait for one minute to exit the menu mode.

## **EEST** TEST

To select **EEST**, press the **ENTER** button to show **TEST** on the display and the unit will run a self-test . To go back to the functions without any changes press the **MENU** button again. Press and hold the **MENU** button for about one second or wait for one minute to exit the menu mode.

## **EENP** TEMPERATURE

To select **EENP**, press the **ENTER** button to show the **TEMPERATURE** on the display. To go back to the functions without any changes press the **MENU** button again. Press and hold the **MENU** button for about one second or wait for one minute to exit the menu mode.

## **Fhrs** FIXTURE HOURS

To select **Fhrs**, press the **ENTER** button to show the **FIXTURE HOURS** on the display and the display will show the total number of working hours of the unit . To go back to the functions without any changes press the **MENU** button again. Press and hold the **MENU** button for about one second or wait for one minute to exit the menu mode.

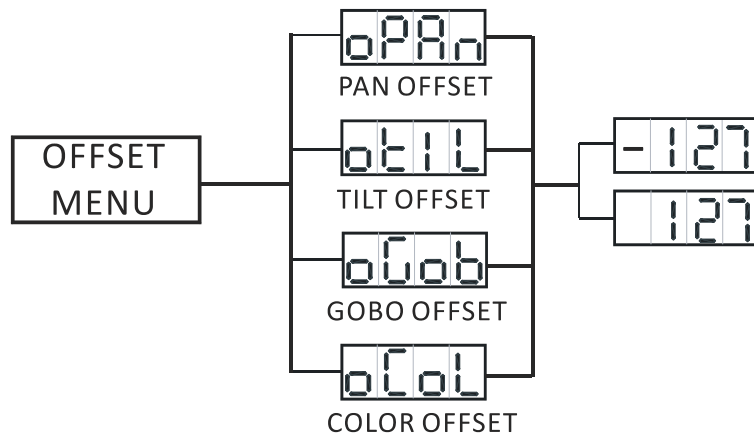
## **ver** SOFTWARE VERSION

To select **ver**, press the **ENTER** button to show the **SOFTWARE VERSION** on the display . To go back to the functions without any changes press the **MENU** button again. Press and hold the **MENU** button for about one second or wait for one minute to exit the menu mode.

**RESET**

To select **RESET**, press the **ENTER** button to show **RESET** on the display. Press the **ENTER** button and all channels of the unit will return to their standard home position.

### 3.4 Home Position Adjustment



**oPAn** — Pan home position adjustment

To select **oPAn**, press the **ENTER** button to show the **PAN OFFSET** on the display. Use the **DOWN** and **UP** buttons to adjust the value from -127 to 127, press the **ENTER** button to store. Press the **MENU** button to exit.

**oTIL** — Tilt home position adjustment

To select **oTIL**, press the **ENTER** button to show the **TILT OFFSET** on the display. Use the **DOWN** and **UP** buttons to adjust the value from -127 to 127, press the **ENTER** button to store. Press the **MENU** button to exit.

**oGob** — Gobo home position adjustment

To select **oGob**, press the **ENTER** button to show the **GOBO OFFSET** on the display. Use the **DOWN** and **UP** buttons to adjust the value from -127 to 127, press the **ENTER** button to store. Press the **MENU** button to exit.

**oCol** – Colour home position adjustment

To select **oCol**, press the **ENTER** button to show the **COLOUR OFFSET** on the display. Use the **DOWN** and **UP** buttons to adjust the value from -127 to 127, press the **ENTER** button to store. Press the **MENU** button to exit.

## 4. How to Control the Unit

There are three ways to control the unit:

1. Master/slave built-in pre-program function
2. CA-8 Easy controller
3. Universal DMX controller

You do not need to turn the unit off when you change the DMX address, the new DMX address setting will take effect immediately. Every time you power the unit on, it will show “**150**” on the display and move all the motors to their ‘home’ position and you may hear some noises for about 20 seconds. After that the unit will be ready to receive a DMX signal or run the built in programs.

### 4.1 Master/Slave Built In Pre-programmed Function

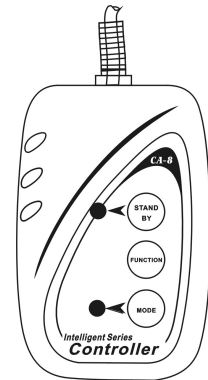
By linking the units in master/slave connection, the first unit will control the other units to give an automatic, sound activated, synchronized light show. This function is good when you want an instant show. You have to set the first unit in master mode **SH00** and select **SH1** (show 1), **SH2** (Show 2), **SH3** (Show 3) or **SH4** (show 4) mode. Its DMX input socket will have nothing plugged into it and its master LED will be constantly on and the sound LED will flash to the music. The other units will need to be set into slave mode and select **SL1** (normal) or **SL2** (2 light show) mode. DMX cables need to be plugged into the DMX sockets (daisy chain) and linked to the other units. The slave LED lights will be constantly on.

#### 2-light show

In slave mode, **SL 1** means the unit works normally and **SL 2** means 2-light show. In order to create a great light show, you can set **SL 2** on the second unit to get contrast movement to each other, even if you only have two units.

## 4.2 CA-8 Easy Controller

The easy remote control is used only in master/slave mode. By connecting it to the 1/4" remote socket of the first unit you will find that the remote controller on the first unit will control all the other units in Stand by, function and Mode selection.



Stand By	Blackout the unit		
Function	1. Sync. Strobe 2. Async strobe 3. Sound Strobe	Show 1-4	1. Press to select colour 2. Hold to select gobo
Mode	Sound (LED OFF)	Show (LED Slow Blinking)	LED ON

## 4.3 DMX Controller

If you are using a universal DMX controller to control the units you need to set a DMX channel address between 1 and 512 so that the units can receive a DMX signal.

Press the **MENU** button up to where **Addr** is showing on the display. Press the **ENTER** button and the display will blink. Use the **DOWN** and **UP** buttons to change the DMX 512 address. Once the address has been selected press the **ENTER** button to set up. To go back to the functions without any changes press the **MENU** button again.

Please refer to the following diagram to address your DMX 512 channel for the first 4 units.

8 Channel Mode: 

				1
--	--	--	--	---

				9
--	--	--	--	---

				17
--	--	--	--	----

				25
--	--	--	--	----

10 Channel Mode: 

									1
--	--	--	--	--	--	--	--	--	---

									11
--	--	--	--	--	--	--	--	--	----

									21
--	--	--	--	--	--	--	--	--	----

									31
--	--	--	--	--	--	--	--	--	----

## 5. DMX 512 Configuration

8 Channel Mode:

CHANNEL	VALUE	FUNCTION
1	000-255	<b>PAN:</b> 0 - 540°
2	000-255	<b>TILT:</b> 0 - 270°
3		<b>STROBE:</b>
	000-007	Black out
	008-015	Open
	016-131	Strobe, Slow to Fast
	132-139	Open
	140-181	Slow Open, Fast Close
	182-189	Open
	190-231	Fast Open, Slow Close
	232-239	Open
	240-247	Random Strobe
248-255	Open	
4		<b>COLOUR:</b>
	000-007	white
	008-014	Colour1
	015-021	Colour2
	022-028	Colour3
	029-035	Colour4
	036-042	Colour5
	043-049	Colour6
	050-056	Colour7
	057-063	Colour8
064-127	Split colour	



	128-189	Clockwise Color Scroll, Fast to Slow	
	190-193	Stop	
	194-255	Counter Clockwise Color Scroll, Slow to Fast	
5		<b>GOBO:</b>	
	000-009	White	
	010-018	Gobo1	
	019-027	Gobo2	
	028-036	Gobo3	
	037-045	Gobo4	
	046-054	Gobo5	
	055-063	Gobo6	
	064-073	White shaking	
	074-082	Gobo1 shaking	
	083-091	Gobo2 shaking	
	092-100	Gobo3 shaking	
	101-110	Gobo4 shaking	
	111-119	Gobo5 shaking	
	120-127	Gobo6 shaking	
	128-189	Clockwise Gobo Scroll, Fast to Slow	
	190-193	Stop	
	194-255	Counter Clockwise Gobo Scroll, Slow to Fast	
	6		<b>GOBO ROTATION:</b>
		000-009	Stop
010-119		Clockwise Rotation: fast to slow	
120-134		Stop	
135-245		Clockwise Rotation: slow to fast	
246-255		Stop	
7	000-255	<b>DIMMER:</b> 0-100%	
8		<b>FUNCTION:</b>	
	000-069	Null	
	070-079	Blackout while Pan/Tilt Move	
	080-089	Null	
	090-099	Blackout when Colour changes	
	100-109	Null	
	110-119	Blackout when Gobo changes	
	120-199	Null	
	200-209	Reset All	
	210-249	Null	

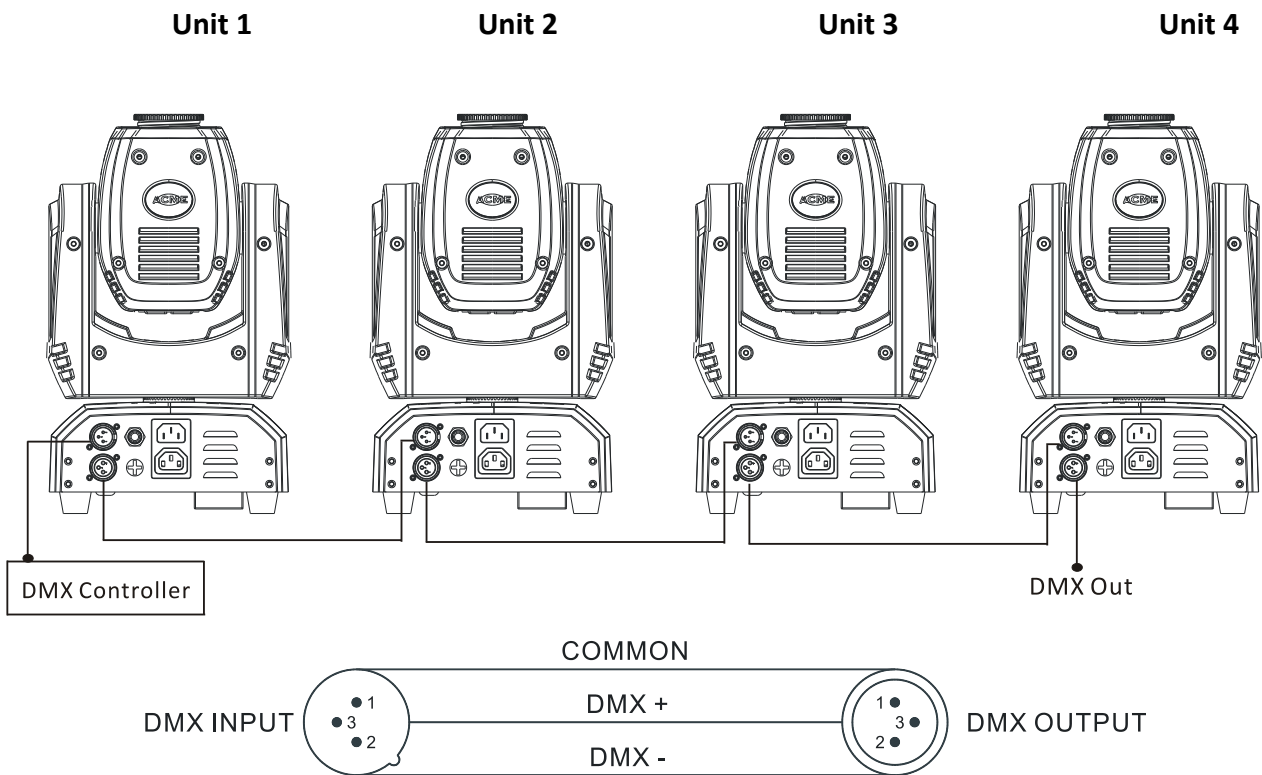
	250-255	Sound Active
--	---------	--------------

**10 Channel Mode:**

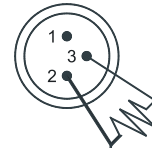
CHANNEL	VALUE	FUNCTION
1	000-255	<b>PAN:</b> 0° - 540°
2	000-255	<b>PAN FINE</b>
3	000-255	<b>TILT:</b> 0 - 270°
4	000-255	<b>TILT FINE</b>
5		<b>STROBE:</b>
	000-007	Black out
	008-015	Open
	016-131	Strobe, Slow to Fast
	132-139	Open
	140-181	Slow Open, Fast Close
	182-189	Open
	190-231	Fast Open, Slow Close
	232-239	Open
	240-247	Random Strobe
	248-255	Open
6		<b>COLOUR:</b>
	000-007	white
	008-014	Colour1
	015-021	Colour2
	022-028	Colour3
	029-035	Colour4
	036-042	Colour5
	043-049	Colour6
	050-056	Colour7
	057-063	Colour8
	064-127	Split colour
	128-189	Clockwise Colour Scroll, Fast to Slow
	190-193	Stop
	194-255	Counter Clockwise Color Scroll, Slow to Fast
		<b>GOBO:</b>

7	000-009	White	
	010-018	Gobo1	
	019-027	Gobo2	
	028-036	Gobo3	
	037-045	Gobo4	
	046-054	Gobo5	
	055-063	Gobo6	
	064-073	White shaking	
	074-082	Gobo1 shaking	
	083-091	Gobo2 shaking	
	092-100	Gobo3 shaking	
	101-110	Gobo4 shaking	
	111-119	Gobo5 shaking	
	120-127	Gobo6 shaking	
	128-189	Clockwise Gobo Scroll, Fast to Slow	
	190-193	Stop	
	194-255	Counter Clockwise Gobo Scroll, Slow to Fast	
	8		<b>GOBO ROTATION:</b>
		000-009	Stop
010-119		Clockwise Rotation: fast to slow	
120-134		Stop	
135-245		Clockwise Rotation : slow to fast	
246-255		Stop	
9	000-255	<b>DIMMER:</b> 0-100%	
10		<b>FUNCTION:</b>	
	000-069	Null	
	070-079	Blackout while Pan/Tilt Move	
	080-089	Null	
	090-099	Blackout when Colour changes	
	100-109	Null	
	110-119	Blackout when Gobo changes	
	120-199	Null	
	200-209	Reset All	
	210-249	Null	
	250-255	Sound Active	

## 6. DMX Connection



Termination reduces signal errors and to avoid signal transmission problems and interference. It is always advisable to connect a DMX terminal. (Resistance 120 ohm 1/4W) between pin2(DMX-) and pin3(DMX+) of the last fixture.



1. If you using a controller with a 5 pin DMX output, you need to use a 5 to 3 pin adapter-cable
2. The last units DMX cable has to be terminated with a 120 ohm 1/4W resistor between pin 2(DMX-) and pin 3(DMX+) of a 3-pin XLR-plug and plug it in the DMX-output of the last unit.
3. Connect the units together in a `daisy chain` by using a DMX cable from the output of the unit to the input of the next unit. The cable can not branched or split to a `Y` cable. The DMX output and input connectors are a “pass-through” type to maintain the DMX circuit even if one of the units power is disconnected.
4. Each fixture unit needs to have an address set to receive the data sent by the controller. The address number are between 1-512
5. The end of the DMX 512 line system should be terminated to reduce signal errors.

## **7. Troubleshooting**

Following are a few common problems that may occur during operation. Here are some suggestions for easy troubleshooting:

### **A. The unit does not work, no light no light and the fan does not work**

1. Check the connection of power and main fuse.

### **B. Not responding to DMX controller**

1. DMX LED should be on. If not check the DMX connectors and cables to see if connected properly.
2. If the DMX LED is on and no response to the controller, check the address settings and DMX polarity.
3. Try another DMX controller.

### **C. Some fixtures don't respond to the CA-8 Easy controller**

1. You may have a break in the DMX cabling. Check the LED for the response of the master/ slave mode signal.
2. Wrong mode set in the unit. Set the correct mode.

### **D. No response to the sound**

1. Make sure the fixture is not receiving a DMX signal.
2. Check the microphone to see if it is O.K. by tapping it.

### **E. One of the channels is not working**

1. Make sure the unit is not set in DMX mode.
2. Make sure the fixture is not set into Blackout mode

## **8. Fixture Cleaning**

Cleaning must be carried out periodically to optimize light output. Cleaning frequency depends on the environment in which the fixture operates: moist, smoky or particularly dirty surrounding can cause greater accumulation of dirt on the fixture.

- Clean with a soft cloth using normal glass cleaning fluid or mild soapy water
- Always dry the parts carefully.
- Clean the external optics at least every 30 days.

## **Declaration of Conformity**

We declare that our products (lighting equipments) comply with the following specification and bears CE mark in accordance with the provision of the Electromagnetic Compatibility (EMC) Directive 89/336/EEC.

EN55103-1: 2009 ; EN55103-2: 2009; EN62471: 2008;  
EN61000-3-2: 2006 + A1:2009 + A2:2009; EN61000-3-3: 2008.

**&**

## **Harmonized Standard**

EN 60598-1:2008 + All:2009; EN 60598-2-17:1989 + A2:1991; EN 62471:2008;  
EN 62493: 2010  
Safety of household and similar electrical appliances  
Part 1: General requirements

**Innovation, Quality, Performance**