

LEDJ

Event Spot RGBW MKII User Manual



Order codes:

LEDJ234 - Black Housing

LEDJ234A - White Housing

WARNING

FOR YOUR OWN SAFETY, PLEASE READ THIS USER MANUAL CAREFULLY BEFORE YOUR INITIAL START-UP!

- Before your initial start-up, please make sure that there is no damage caused during transportation.
- Should there be any damage, consult your dealer and do not use the equipment.
- To maintain the equipment in good working condition and to ensure safe operation, it is necessary for the user to follow the safety instructions and warning notes written in this manual.
- Please note that damages caused by user modifications to this equipment are not subject to warranty.



IMPORTANT:

The manufacturer will not accept liability for any resulting damages caused by the non-observance of this manual or any unauthorised modification to the equipment.

- Never let the power cable come into contact with other cables. Handle the power cable and all mains voltage connections with particular caution!
- Never remove warning or informative labels from the unit.
- Do not open the equipment and do not modify the unit.
- Do not connect this equipment to a dimmer pack.
- Do not switch the equipment on and off in short intervals, as this will reduce the system's life.
- Only use the equipment indoors.
- Do not expose to flammable sources, liquids or gases.
- Always disconnect the power from the mains when equipment is not in use or before cleaning! Only handle the power-cable by the plug. Never pull out the plug by pulling the power-cable.
- Make sure that the available mains supply voltage is between 100~240V AC, 50/60Hz.
- Make sure that the power cable is never crimped or damaged. Check the equipment and the power cable periodically.
- If the equipment is dropped or damaged, disconnect the mains power supply immediately and have a qualified engineer inspect the equipment before operating again.
- If the equipment has been exposed to drastic temperature fluctuation (e.g. after transportation), do not connect power or switch it on immediately. The arising condensation might damage the equipment. Leave the equipment switched off until it has reached room temperature.
- If your product fails to function correctly, stop use immediately. Pack the unit securely (preferably in the original packing material), and return it to your Pro Light dealer for service.
- Only use fuses of same type and rating.
- Repairs, servicing and power connection must only be carried out by a qualified technician. THIS UNIT CONTAINS NO USER SERVICEABLE PARTS.
- This lighting fixture is for professional use only - it is not designed for or suitable for household use. The product must be installed by a qualified technician in accordance with local territory regulations. The safety of the installation is the responsibility of the installer. The fixture presents risks of severe injury or death due to fire hazards, electric shock and falls.
- Warning! Risk Group 2 LED product according to EN 62471. Do not view the light output with optical instruments or any device that may concentrate the beam.
- WARRANTY: One year from date of purchase.

OPERATING DETERMINATIONS

If this equipment is operated in any other way, than those described in this manual, the product may suffer damage and the warranty becomes void. Incorrect operation may lead to danger e.g: short-circuit, burns and electric shocks etc.

Do not endanger your own safety and the safety of others!

Incorrect installation or use can cause serious damage to people and/or property.

Event Spot RGBW

The Event Spot compact LED Pinspots are powered by a 15W LED that has the brightness and output of a 100W halogen lamp. Featuring a 4° beam angle and supplied with two optional lenses (10° and 45°) the fixture is easily directed at displays for highlighting and pinspotting, it can also be used to create mood lighting on a restaurant table, or to spotlight displays in store. On-board features include manual colour selection, colour change, colour fade, sound activation and DMX.

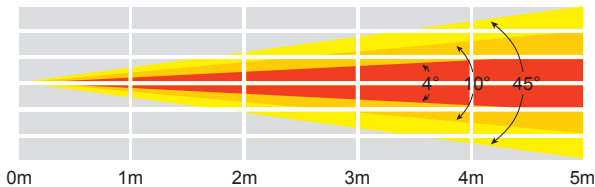
- 1 x 15W quad-colour LED (RGBW)
- Beam angle: 4° native, 10° & 45° frost lenses supplied
- 1.1kHz refresh rate
- DMX channels: 1/4/6 or 7 selectable
- Static colour, colour change, colour fade and master/slave modes plus built-in programs
- 0-100% dimming and variable strobe
- Bracket allows for multiple rigging or floor standing applications
- 4 push button menu with LCD display
- PowerCON input/output
- 3-Pin XLR input/output trailing sockets
- Convection cooled
- Optional IR remote (LEDJ90C)



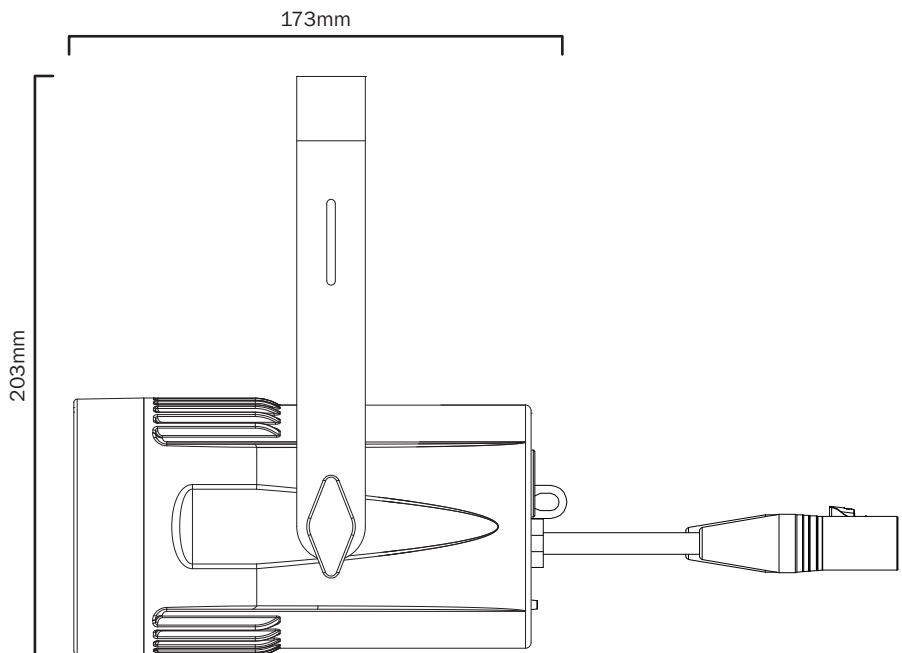
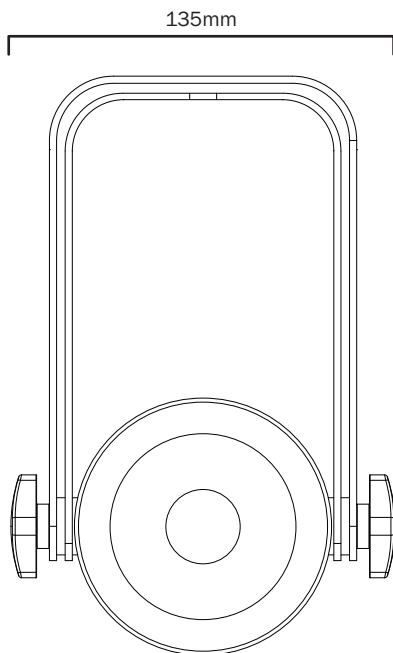
4° - Lux					
FULL ON	38800	9700	4310	2420	1550
R	10800	2698	1200	675	432
G	13500	3373	1500	843	539
B	1270	318	141	79	50
W	18200	4550	2020	1140	728

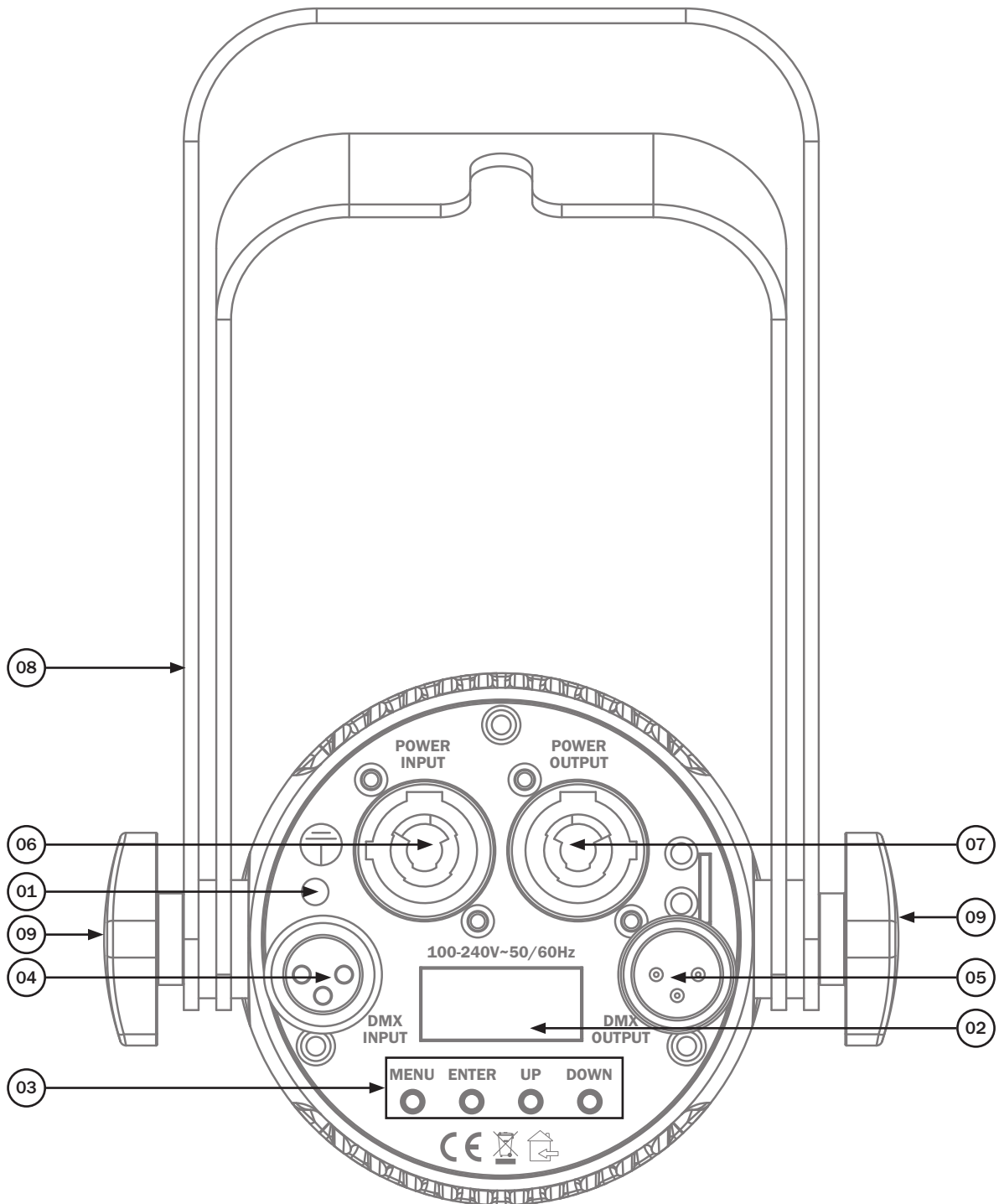
10° - Lux					
FULL ON	15500	3866	1720	968	619
R	4000	1000	444	258	160
G	6200	1550	689	388	248
B	820	205	91	51	32
W	9960	2492	1110	623	398

45° - Lux					
FULL ON	1990	497	221	124	79
R	320	80	35	20	12
G	588	147	65	36	23
B	72	18	8	4	2
W	1090	273	121	68	43



Specifications	Event Spot RGBW
Power consumption	17W
Power supply	100~240V, 50/60Hz
Fuse	T0.5A 250V
Dimensions	203 x 135 x 173mm
Weight	1.2kg
Order code	LEDJ234 - Black Housing LEDJ234A - White Housing

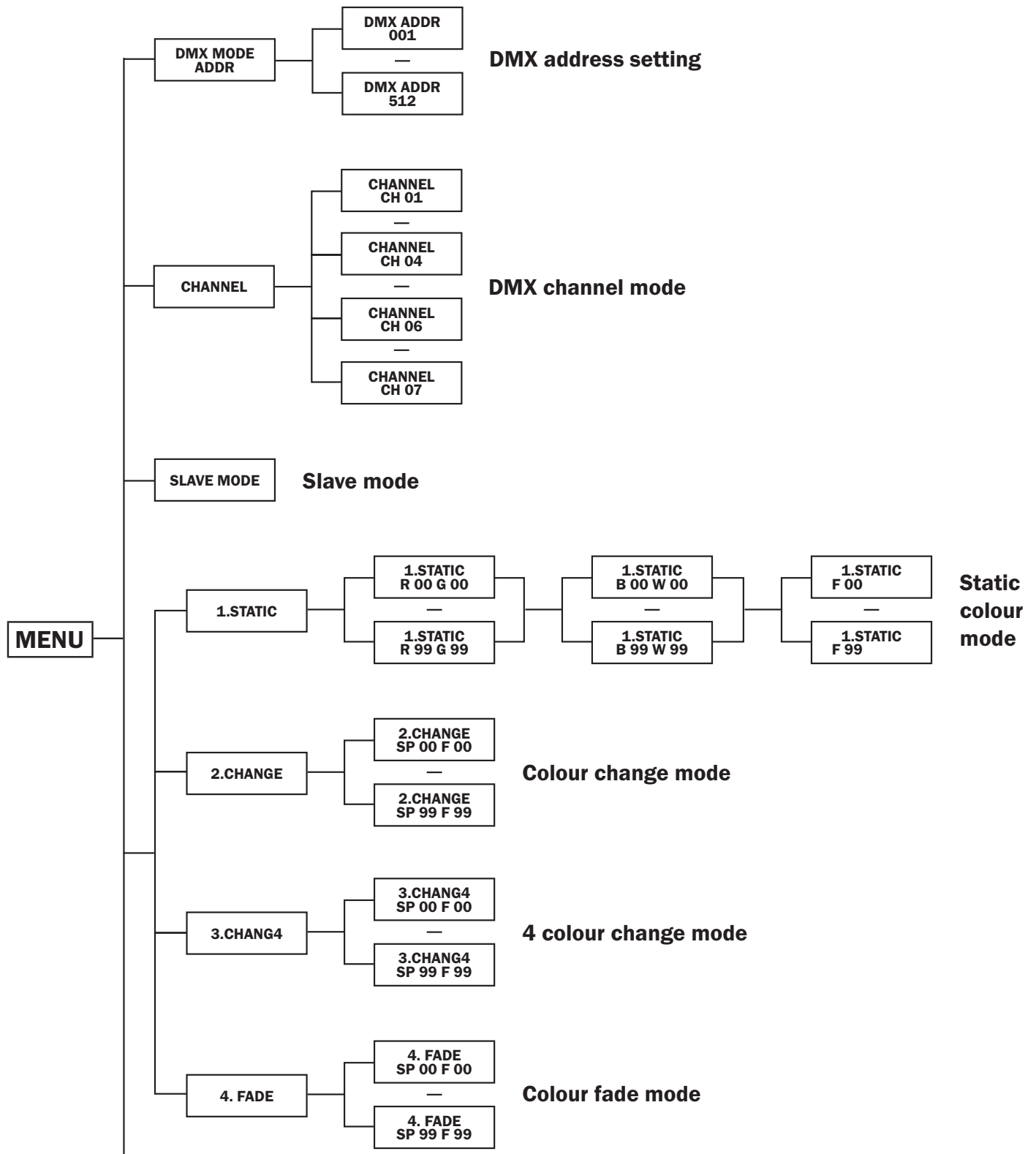


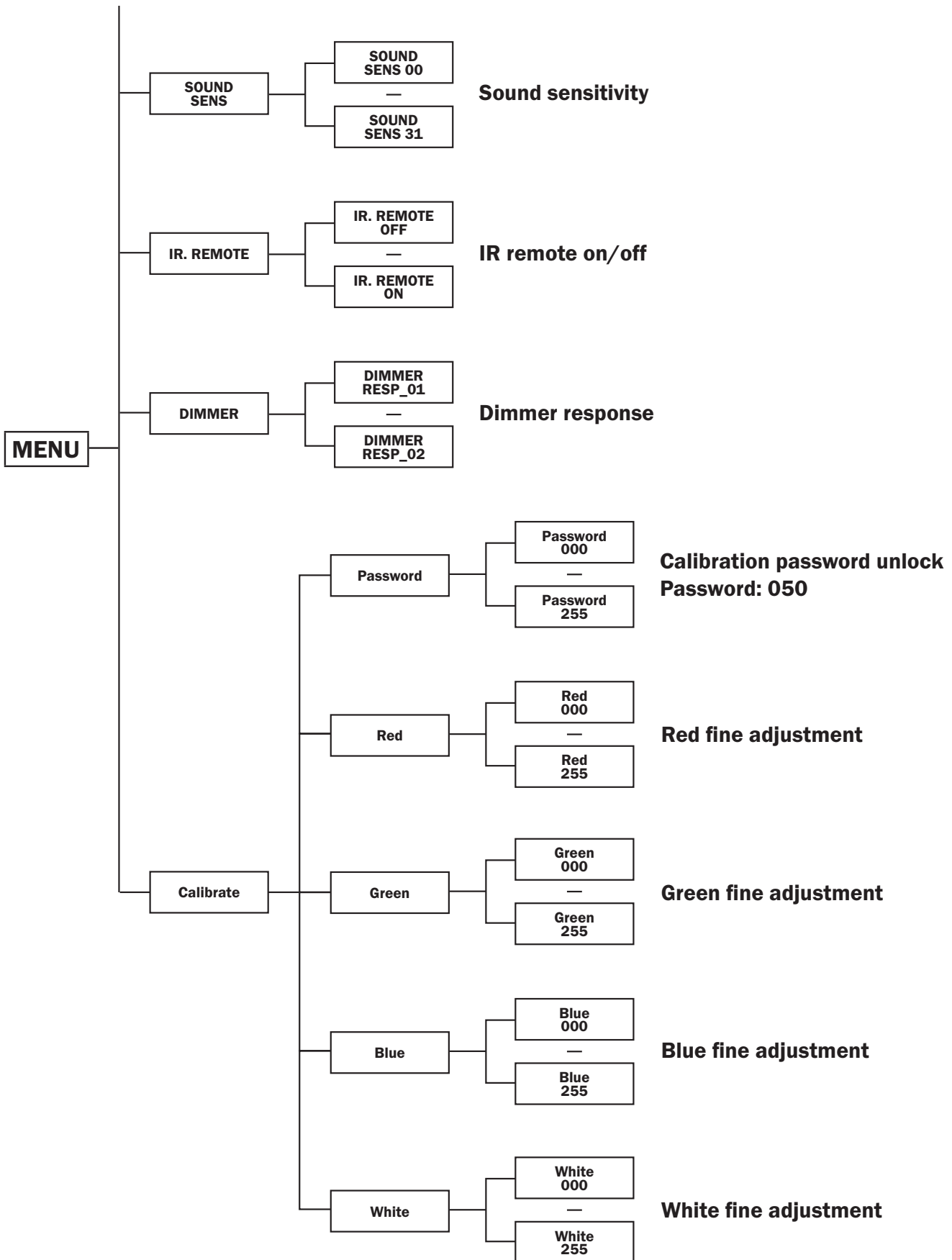


- 01 - Earth point
- 02 - LCD display
- 03 - Function buttons
- 04 - 3-Pin DMX input trailing socket
- 05 - 3-Pin DMX output trailing socket

- 06 - PowerCON input
- 07 - PowerCON output
- 08 - Hanging bracket
- 09 - Hanging bracket adjustable knob

In the box: **1 x fixture,**
1 x 10° frost lens,
1 x 45° frost lens,
1 x power cable
& 1 x user manual





DMX mode:

Operating in a DMX control mode environment gives the user the greatest flexibility when it comes to customising or creating a show. In this mode you will be able to control each individual trait of the fixture and each fixture independently.

To access the DMX address mode, press the “**MENU**” button on the rear of the unit to show “**DMX MODE ADDR**” on the LCD display. Now press the “**ENTER**” button and use the “**UP**” and “**DOWN**” buttons to set the required DMX address. Press the “**ENTER**” button to confirm the setting.

To exit out of any of the above options, press the “**MENU**” button.

To access the DMX channel mode, press the “**MENU**” button on the rear of the unit to show “**CHANNEL CH –**” on the LCD display. Now press the “**ENTER**” button and use the “**UP**” and “**DOWN**” buttons to set the required DMX channel (1/4/6 or 7 selectable).

To exit out of any of the above options, press the “**MENU**” button.

1 channel mode:

Channel	Value	Function
1	000-255	RGBW dimmer (0-100%)

4 channel mode:

Channel	Value	Function
1	000-255	Red dimmer (0-100%)
2	000-255	Green dimmer (0-100%)
3	000-255	Blue dimmer (0-100%)
4	000-255	White dimmer (0-100%)

6 channel mode:

Channel	Value	Function
1	000-255	Red dimmer (0-100%)
2	000-255	Green dimmer (0-100%)
3	000-255	Blue dimmer (0-100%)
4	000-255	White dimmer (0-100%)
5	000-255	Master dimmer (0-100%)
6	000	No function
	001-005	Sound active
	006-010	Dimmer
	011-225	Strobe (slow-fast)

7 channel mode:

Channel	Value	Function
1	000-255	Red dimmer (0-100%)
2	000-255	Green dimmer (0-100%)
3	000-255	Blue dimmer (0-100%)
4	000-255	White dimmer (0-100%)
5	000-255	Master dimmer (0-100%)
6	000	No function
	001-005	Sound active
	006-010	Dimmer
	011-225	Strobe (slow-fast)
7	000-004	Dimmer (use CH1-CH4)
	005-125	15 colour change mode (slow-fast)
	126-255	15 colour fade mode (slow-fast)

Master/slave mode:

To set the master unit, press the “**MENU**” button on the rear of the master unit to select manual mode.

To set the other units in slave mode, press the “**MENU**” button on the rear of the unit to show “**SLAVE MODE**” on the LCD display. Press the “**ENTER**” button to confirm the setting.

To exit out of any of the above options, press the “**MENU**” button.

Built-in programs:

To access the built-in programs, press the “MENU” button on the rear of the unit to show “1.STATIC” on the LCD display. Press the “ENTER” button and use the “UP” and “DOWN” buttons to select one of the 4 built-in programs (static colour, colour change, 4 colour change or colour fade).

1.STATIC - Press the “ENTER” button and use the “UP” and “DOWN” buttons to select between “00” - “99” for R (Red), G (Green), B (Blue), W (White) and F (Flash).

Press the “ENTER” button to confirm the setting.

(00 = LED off/strobe off, 99 = LED at full brightness/strobe fast)

For **2.CHANGE**, **3.CHANG4** and **4.FADE** programs press the “ENTER” button and use the “UP” and “DOWN” buttons to set the speed from “00” - “99”. Press the “ENTER” button again and use the “UP” and “DOWN” buttons to set the strobe speed from “00” - “99”.

Press the “ENTER” button to confirm the setting.

(00 = speed slow, 99 = speed fast).

To exit out of any of the above options, press the “MENU” button.

Sound sensitivity:

To adjust the sound sensitivity, press the “MENU” button on the rear of the unit to show “SOUND SENS” on the LCD display. Press the “ENTER” button and use the “UP” and “DOWN” buttons to set the sensitivity from “00” - “31”. Press the “ENTER” button to confirm the setting.

(00 = low sensitivity, 31 = high sensitivity).

To exit out of any of the above options, press the “MENU” button.

IR remote on/off:

To set the IR remote on/off, press the “MENU” button on the rear of the unit to show “IR. REMOTE” on the LCD display. Press the “ENTER” button and use the “UP” and “DOWN” buttons to select “ON” or “OFF”. Press the “ENTER” button to confirm the setting.

To exit out of any of the above options, press the “MENU” button.

Dimmer response:

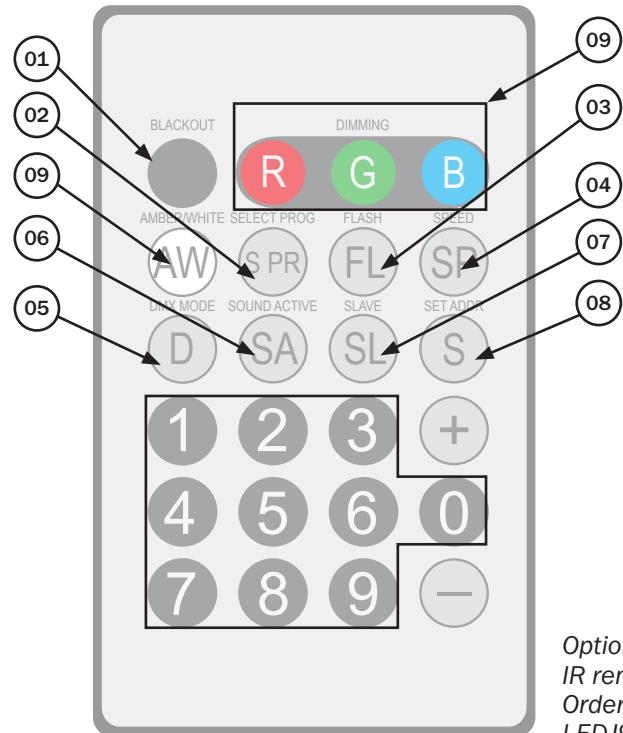
To set the dimmer response, press the “MENU” button on the rear of the unit to show “DIMMER” on the LCD display. Press the “ENTER” button and use the “UP” and “DOWN” buttons to select “RESP_01” or “RESP_02”. Press the “ENTER” button to confirm the setting.

To exit out of any of the above options, press the “MENU” button.

Optional IR remote functions:

Button functions:

- 01 - Sets the LEDs into power on or off modes
- 02 - Runs the built-in programs, use the '+' and '-' buttons to go through the programs
- 03 - Sets the LEDs to flash on and off, use the '+' and '-' buttons to change the flash frequency
- 04 - Sets the run speed, use the '+' and '-' buttons to change the desired speed (note: only available in the colour change or colour fade modes)
- 05 - Sets the LEDs into DMX mode
- 06 - Sets the LEDs into sound active mode
- 07 - Sets the LEDs into slave mode
- 08 - Sets the DMX address for the LEDs
- 09 - Sets the LEDs colour, then use the '+' and '-' buttons to change the brightness



Optional
IR remote
Order code:
LEDJ90C

DMX address examples:

To set the DMX address “245”;

- Press the “S” button, the red LEDs will come on, you can now start to set the DMX address
- Now press the “2” button, the green LEDs will come on, this means the first digit has been set at 2
- Now press the “4” button, the blue LEDs will come on, this means the second digit has been set at 4
- Now press the “5” button, and the white/amber LEDs will come on, the third digit 5 has been set. The full DMX address setting has been changed
- Now press the “DMX MODE” button to save the new address into the memory

Important notes:

- Set the DMX address on each fixture before plugging into the DMX controller
- The IR remote cannot be used when the fixture(s) are being controlled with a DMX controller
- The maximum IR transmitter distance is 10m - Please make sure that you have the IR remote aimed directly at the front panel of each fixture to be programmed
- If you do not press the “DMX MODE” button after you have changed the DMX address when you power down the fixture it will lose the address you have set

To set the DMX address “002”;

- Press the “S” button, the red LEDs will come on, you can now start to set the DMX address
- Now press the “0” button, the green LEDs will come on, this means the first digit has been set at 0
- Now press the “0” button, the blue LEDs will come on, this means the second digit has been set at 0
- Now press the “2” button, and the white/amber LEDs will come on, the third digit 5 has been set. The full DMX address setting has been changed
- Now press the “DMX MODE” button to save the new address into memory

Setting the DMX address:

The DMX mode enables the use of a universal DMX controller. Each fixture requires a “start address” from 1- 512. A fixture requiring one or more channels for control begins to read the data on the channel indicated by the start address. For example, a fixture that occupies or uses 7 channels of DMX and was addressed to start on DMX channel 100, would read data from channels: 100, 101, 102, 103, 104, 105 and 106. Choose a start address so that the channels used do not overlap. E.g. the next unit in the chain starts at 107.

DMX 512:

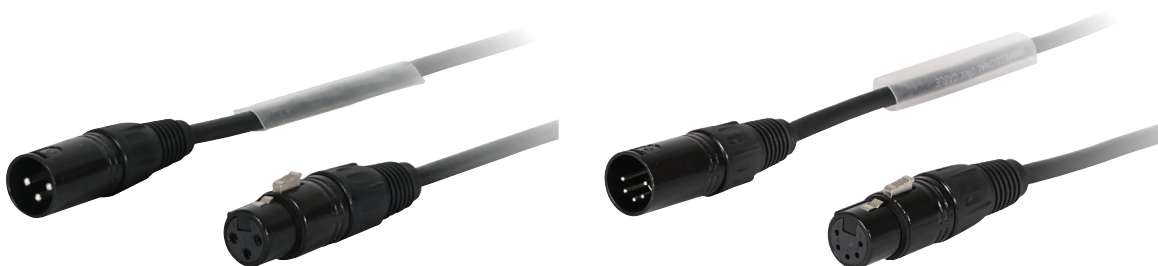
DMX (Digital Multiplex) is a universal protocol used as a form of communication between intelligent fixtures and controllers. A DMX controller sends DMX data instructions from the controller to the fixture. DMX data is sent as serial data that travels from fixture to fixture via the DATA “IN” and DATA “OUT” XLR terminals located on all DMX fixtures (most controllers only have a data “out” terminal).

DMX linking:

DMX is a language allowing all makes and models of different manufactures to be linked together and operate from a single controller, as long as all fixtures and the controller are DMX compliant. To ensure proper DMX data transmission, when using several DMX fixtures try to use the shortest cable path possible. The order in which fixtures are connected in a DMX line does not influence the DMX addressing. For example; a fixture assigned to a DMX address of 1 may be placed anywhere in a DMX line, at the beginning, at the end, or anywhere in the middle. When a fixture is assigned a DMX address of 1, the DMX controller knows to send DATA assigned to address 1 to that unit, no matter where it is located in the DMX chain.

DATA cable (DMX cable) requirements (for DMX operation):

This fixture can be controlled via DMX-512 protocol. The DMX address is set on the back of the unit. Your unit requires either a standard 3-pin or 5-pin XLR connector for data input/output, see images below.



Further DMX cables can be purchased from all good sound and lighting suppliers or Prolight Concepts dealers.

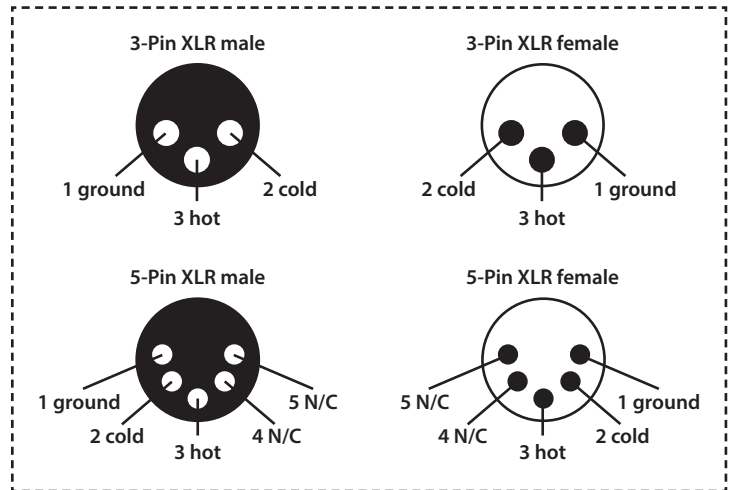
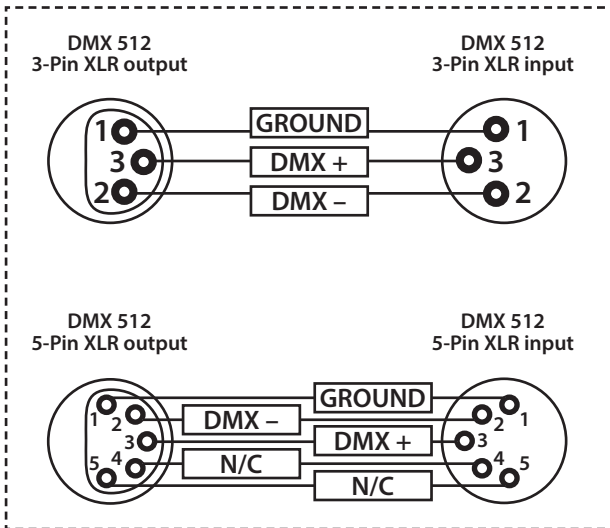
Please quote:	3-Pin:	CABL10 - 2m	CABL11 - 5m	CABL12 - 10m
	5-Pin:	CABL185 - 2m	CABL187 - 5m	CABL188 - 10m

Also remember that DMX cable must be daisy chained and cannot be split.

Notice:

Be sure to follow the diagrams below when making your own cables. Do not connect the cables shield conductor to the ground lug or allow the shield conductor to come in contact with the XLRs outer casing. Grounding the shield could cause a short circuit and erratic behaviour.

Pin Configuration	
3-Pin	5-Pin
	Pin 1 - Ground
	Pin 2 - Negative
	Pin 3 - Positive
-	Pin 4 - N/C
-	Pin 5 - N/C

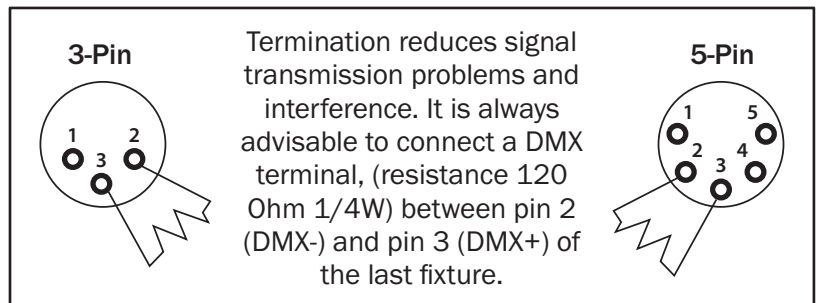


Line termination:

When longer runs of cable are used, you may need to use a terminator on the last unit to avoid erratic behaviour.

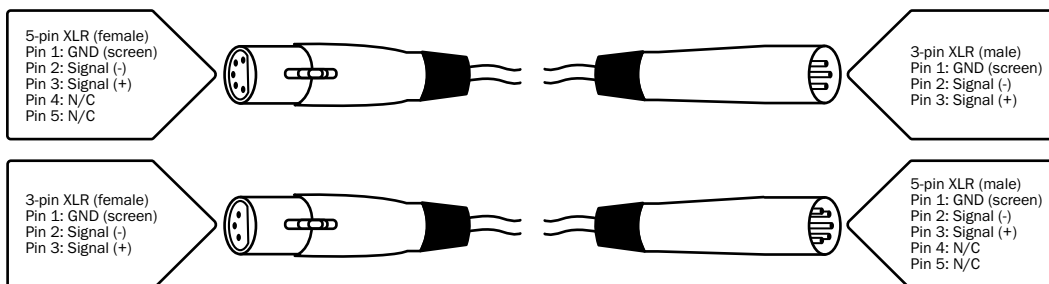
Using a cable terminator will decrease the possibilities of erratic behaviour.

(3-pin - Order ref: CABL90,
5-pin - Order ref: CABL89)



5-pin XLR DMX connectors:

Some manufactures use 5-pin XLR connectors for data transmission in place of 3-pin. 5-pin XLR fixtures may be implemented in a 3-pin XLR DMX line. When inserting standard 5-pin XLR connectors in to a 3-pin line a cable adaptor must be used. The diagram below details the correct cable conversion.





Correct Disposal of this Product (Waste Electrical & Electronic Equipment)

**(Applicable in the European Union and other European countries
with separate collection systems)**

This marking shown on the product or its literature, indicates that it should not be disposed with other household wastes at the end of its working life. To prevent possible harm to the environment or human health from uncontrolled waste disposal, please separate this from other types of wastes and recycle it responsibly to promote the sustainable reuse of material resources.

Household users should contact either the retailer where they purchased this product, or their local government office, for details of where and how they can take this item for environmentally safe recycling.

Business users should contact their supplier and check the terms and conditions of the purchase contract. This product should not be mixed with other commercial wastes for disposal.

