



TM 80 Twin Handheld UHF System

User Manual



Order codes:

MIC74 - 863.0MHz/864.0MHz

MIC76 - 863.5MHz/865.0MHz

WARNING

FOR YOUR OWN SAFETY, PLEASE READ THIS USER MANUAL CAREFULLY BEFORE YOUR INITIAL START-UP!

- Before your initial start-up, please make sure that there is no damage caused during transportation.
- Should there be any damage, consult your dealer and do not use the equipment.
- To maintain the equipment in good working condition and to ensure safe operation, it is necessary for the user to follow the safety instructions and warning notes written in this manual.
- Please note that damages caused by user modifications to this equipment are not subject to warranty.



IMPORTANT:

The manufacturer will not accept liability for any resulting damages caused by the non-observance of this manual or any unauthorised modification to the equipment.

- Never let the power cable come into contact with other cables. Handle the power cable and all mains voltage connections with particular caution!
- Never remove warning or informative labels from the unit.
- Do not open the equipment and do not modify the unit.
- Do not connect this equipment to a dimmer pack.
- Do not switch the equipment on and off in short intervals, as this will reduce the system's life.
- Only use the equipment indoors.
- Do not expose to flammable sources, liquids or gases.
- Always disconnect the power from the mains when equipment is not in use or before cleaning! Only handle the power-cable by the plug. Never pull out the plug by pulling the power-cable.
- Make sure that the available voltage 12-18V DC, 500mA. (240V AC~50Hz power supply included)
- Make sure that the power cable is never crimped or damaged. Check the equipment and the power cable periodically.
- If the equipment is dropped or damaged, disconnect the mains power supply immediately and have a qualified engineer inspect the equipment before operating again.
- If the equipment has been exposed to drastic temperature fluctuation (e.g. after transportation), do not connect power or switch it on immediately. The arising condensation might damage the equipment. Leave the equipment switched off until it has reached room temperature.
- If your product fails to function correctly, stop use immediately. Pack the unit securely (preferably in the original packing material), and return it to your Pro Light dealer for service.
- Only use fuses of same type and rating.
- Repairs, servicing and power connection must only be carried out by a qualified technician. THIS UNIT CONTAINS NO USER SERVICEABLE PARTS.
- This fixture is for professional use only - it is not designed for or suitable for household use. The product must be installed by a qualified technician in accordance with local territory regulations. The safety of the installation is the responsibility of the installer. The fixture presents risks of severe injury or death due to fire hazards, electric shock and falls.
- **WARRANTY:** One year from date of purchase.

OPERATING DETERMINATIONS

If this equipment is operated in any other way, than those described in this manual, the product may suffer damage and the warranty becomes void. Incorrect operation may lead to danger e.g: short-circuit, burns and electric shocks etc.

In case of malfunction this unit should be returned for service or inspection.

Do not endanger your own safety and the safety of others!

Incorrect installation or use can cause serious damage to people and/or property.

TM 80 Twin Handheld UHF System

TM series wireless microphones are fixed frequency UHF twin handheld radio microphones. Outstanding vocal reproduction and stable wireless connectivity allow freedom of movement on stage. These systems offer crystal clear sound reproduction and rock solid reliability. Metal bodied transmitters feature ergonomic design with a rugged housing to stand up to the rigours of the road. Supplied with a foam lined carry case for protection during transit.

The systems flexibility may be increased by purchasing the additional TM 80BP Belt Pack Kit comprising of a belt pack transmitter plus headset microphone and lavalier microphone to be used in place of the handheld transmitter.

- Phase Lock Loop (PLL)
- Dual antenna receiver for improved RF reception
- Fixed frequency
- LCD receiver and transmitter displays
- Balanced XLR output for each channel plus unbalanced MIX output
- Frequency response (handheld): 40Hz-15kHz
- Transmitter battery configuration: 2 x 1.5V AA (not supplied)
- Audio output level: 400mV
- Dynamic range: 96dB
- 1U half width receiver



In the box:
**1 x receiver, 1 x audio lead,
 2 x wireless microphones,
 1 x PSU, 1 x carry case
 & 1 x user manual**

Specifications	TM 80 Twin Handheld UHF System	
Operating frequency	863.0Mhz/864.0Mhz	863.5Mhz/865.0Mhz
Power supply	17V DC (mains adaptor supplied)	
System in case dimensions	320 x 430 x 100mm	
System in case weight	2.9kg	
Order code	MIC74	MIC76

Receiver front panel identification:

1. Power Switch

On/Off control for the system receiver

2. Volume Control – Channel A

The receivers output volume is adjustable. Turn the level control anti clockwise to the lowest setting, or turn clockwise to adjust to the highest setting. Each channel features an independent volume control.

3. Audio Indicator – Channel A

The LED Audio indicator will illuminate amber to show when the audio signal received by the receiver. Each channel features an independent audio indicator.

4. RF Signal Indicator – Channel A

The LED RF Signal indicator will illuminate green when the receiver unit receives a valid RF radio signal. Each channel features an independent RF indicator.

5. Display

The receiver features a backlit display allowing the user to see the preset RF frequency.

6. RF Signal Indicator – Channel B

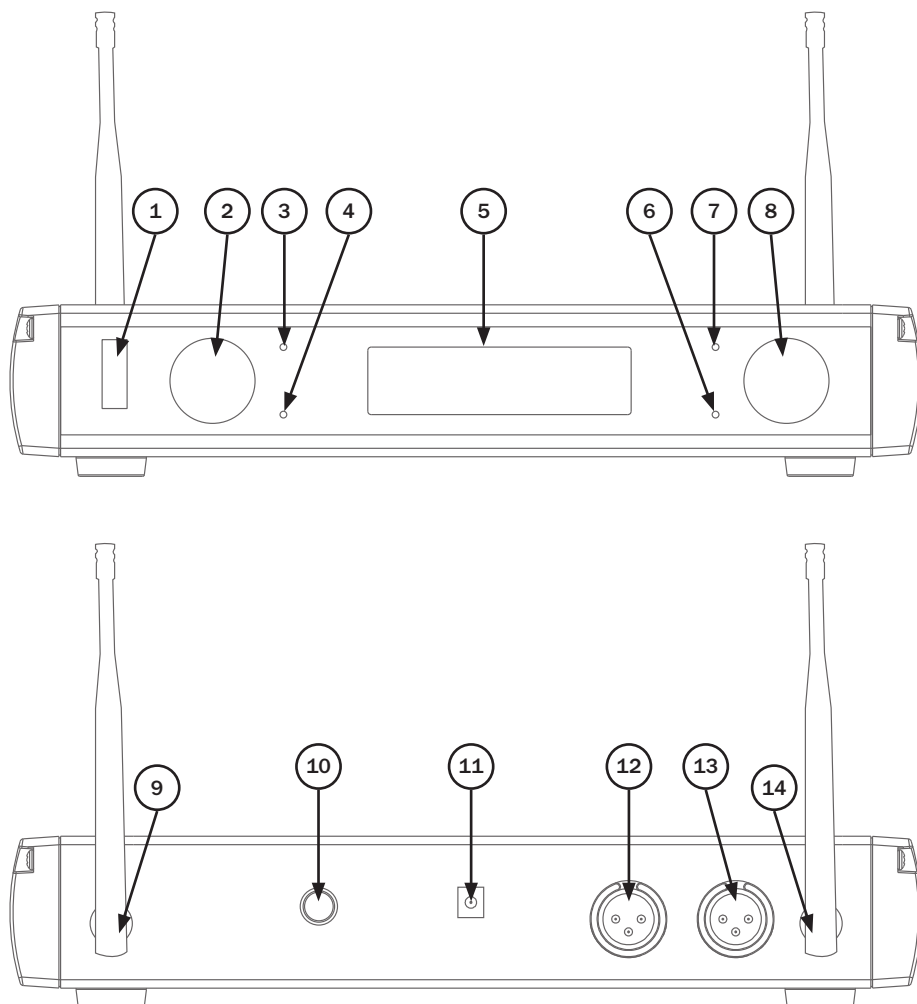
The LED RF Signal indicator will illuminate green when the receiver unit receives a valid RF radio signal. Each channel features an independent RF indicator.

7. Audio Indicator – Channel B

The LED Audio indicator will illuminate amber to show when the audio signal received by the receiver. Each channel features an independent audio indicator.

8. Volume Control – Channel B

The receivers output volume is adjustable. Turn the level control anti clockwise to the lowest setting, or turn clockwise to adjust to the highest setting. Each channel features an independent volume control.



Receiver rear panel identification:

9. Antenna – Channel A

The antenna receives the RF radio signal from the transmitter unit. Reception maybe impaired by obstacles between the transmitter and receiver. High power electrical equipment can cause unwanted interference.

10. Audio (MIX) Output

6.35mm (1/4") jack socket outputting an unbalanced, line level audio output featuring both audio channels.

11. DC Power Input

The receiver is powered by a standard DC power input 17V DC, 300mA regulated voltage supply.

12. Balanced Audio Output B

Individual, balanced audio outputs via 3 pin XLR for audio channel B.

13. Balanced Audio Output A

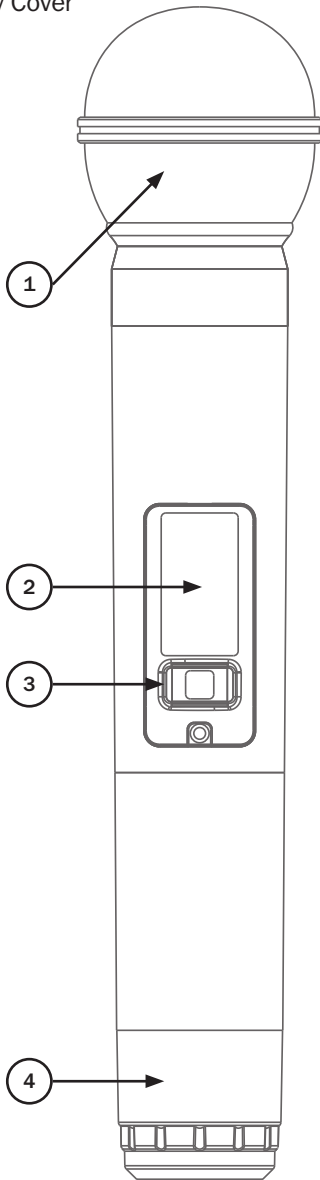
Individual, balanced audio outputs via 3 pin XLR for audio channel A.

14. Antenna – Channel B

The antenna receives the RF radio signal from the transmitter unit. For optimum reception, orientate vertically. Reception maybe impaired by obstacles between the transmitter and receiver. High power electrical equipment can cause unwanted interference.

Handheld transmitter identification:

1. Grille
2. Backlit Display
3. Power Switch
4. Battery Cover



Operation:

- Carefully, lift the antennae into the vertical position.
- Connect the included power supply to a suitable 240V AC~ 50Hz mains voltage outlet and plug the DC connector into the DC Power Input on the rear panel of the receiver (17V DC, 300mA minimum).
- Using the supplied audio cable, connect the MIX OUT on the rear panel of the receiver for both audio channels to the mixer's audio line input. The receiver also features balanced XLR outputs, one for each channel.
- Switch on the power to the receiver, checking the display backlight illuminates.
- Open the battery compartment on the transmitter (Belt pack – slide downwards away from the belt clip. Handheld - unscrew the lower portion). Install the appropriate batteries into the transmitter, taking care to observe the orientation and polarity. Only use high quality, alkaline type batteries. Refit the battery compartment cover carefully.
- Switch on the transmitter, when switched on the display on the transmitter will illuminate. If the display does illuminate or glows dimly, the battery will require replacement.
- Adjust the volume on the front panel of the receiver for each of the channels.

NOTE:

The TM 80 system is shipped with two handheld transmitters. The receiver in this system features a dual channel receiver allowing both handheld microphones to be used simultaneously, an additional belt pack kit maybe purchased if required to be used in place of the handheld transmitters. Each receiver channel in this system may only be used with one transmitter at any one time. If the user attempts to power on, and use two transmitters with one receiver the system will malfunction and not operate correctly as one transmitter will cut out the RF Radio signal to the second transmitter.

Troubleshooting:

Problem	Possible cause	Solution
Receiver – no sound	Power button is in the OFF position. DC power adapter is not plugged in	Turn on the power button plug in the power adapter
Receiver – no LED		
Microphone - no sound but LED indicators are lit	Mic transmitter is out of range. Mic is switched off. Mic volume it turned down. Batteries in mic are not installed properly. Receiver is not connected to an amp or mixer.	Ensure that the mic is within range. Turn on the mic switch. Turn up the mic volume on the receiver. Reinstall or use new batteries. Connect an output cable to an amp or mixer
Distorted sound or feedback	The 4 mics may be too close together. Batteries are running out of charge. Mic volume may be too high. Possible interference from another source.	Increase the distance between mics. Replace the batteries. Reduce the volume. Move the system away from other electric sources.

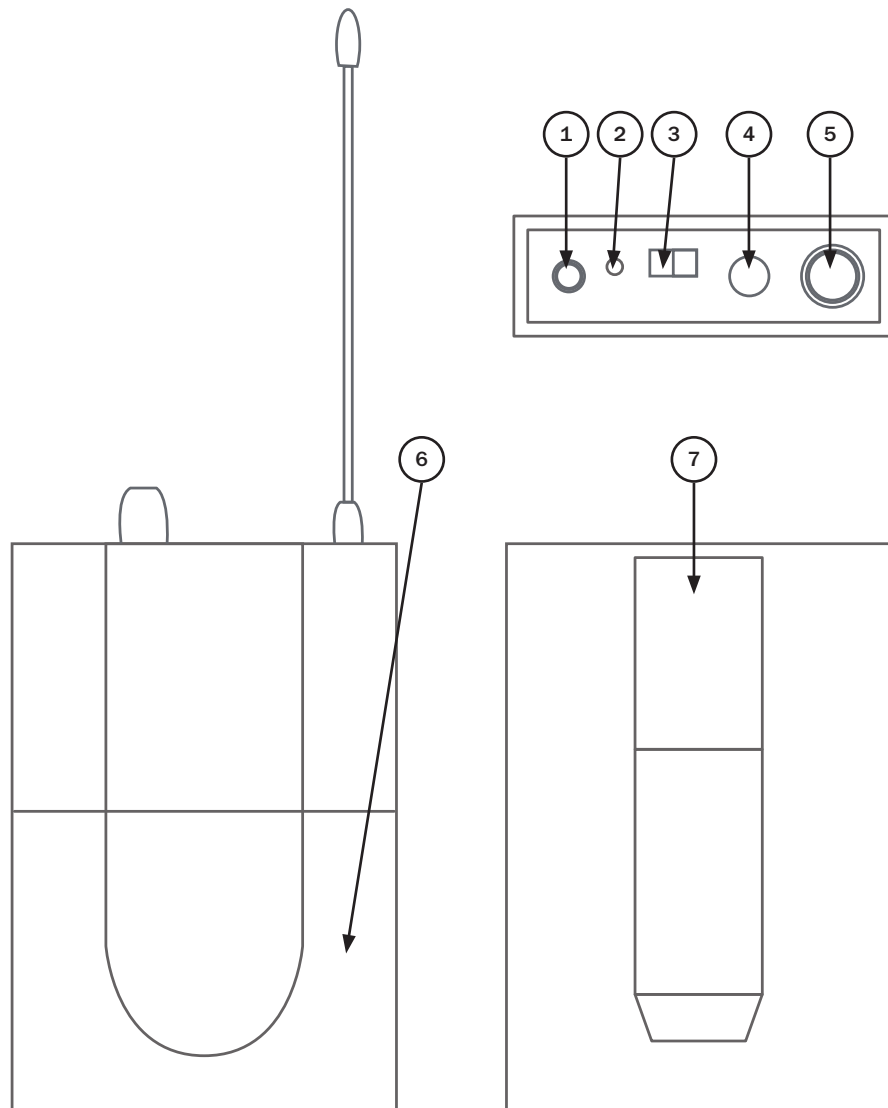
Optional TM 80BP Add On Beltpack Kits

Belt Pack Kit comprising of a belt pack transmitter plus headset microphone and lavalier microphone to be used in place of the handheld transmitter.

Specifications	TM 80BP Add On Beltpack Kits			
Operating frequency	863.0Mhz	864.0Mhz	863.5Mhz	865.0Mhz
Battery type	2 x 1.5V AA (not supplied)			
Order code	MIC75	MIC75A	MIC77	MIC77A

Beltpack transmitter identification:

1. Antenna
2. Low power indicator
3. Power switch
4. Volume knob
5. Audio input connector
6. Battery house
7. Belt clip





***Correct Disposal of this Product
(Waste Electrical & Electronic Equipment)***

**(Applicable in the European Union and other European countries
with separate collection systems)**

This marking shown on the product or its literature, indicates that it should not be disposed of with other household wastes at the end of its working life. To prevent possible harm to the environment or human health from uncontrolled waste disposal, please separate this from other types of wastes and recycle it responsibly to promote the sustainable reuse of material resources.

Household users should contact either the retailer where they purchased this product, or their local government office, for details of where and how they can take this item for environmentally safe recycling.

Business users should contact their supplier and check the terms and conditions of the purchase contract. This product should not be mixed with other commercial wastes for disposal.



