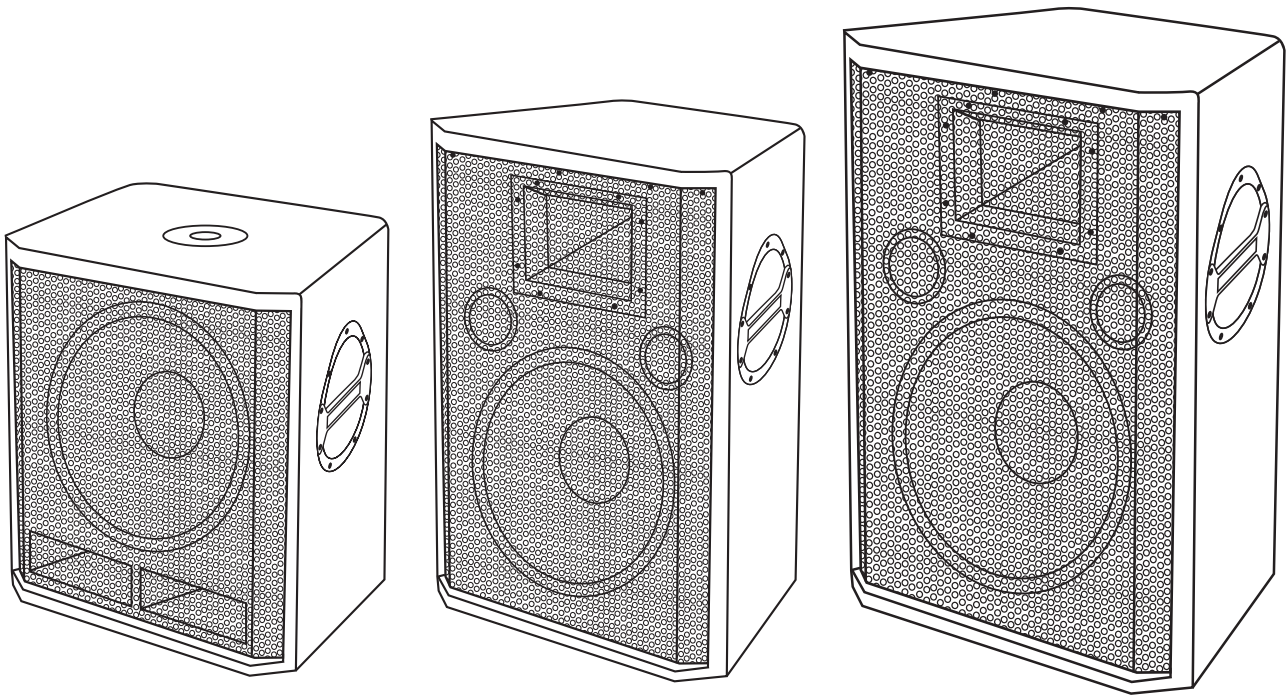




DX Series

User Manual



Order codes:

DX 12 Speaker - SPEA12

DX 15 Speaker - SPEA13

DX S15 Sub - SPEA14

WARNING

FOR YOUR OWN SAFETY, PLEASE READ THIS USER MANUAL CAREFULLY BEFORE YOUR INITIAL START-UP!

- Immediately upon receiving this product, carefully unpack the carton and check the contents to ensure that all the parts are present.
- Before initial start-up, please make sure that there is no damage caused during transportation.
- Should there be any damage, consult your dealer and do not use the equipment.
- Retain the carton and all packaging materials.
- In the event that the equipment must be returned to the supplier, it is important that the equipment is returned in the original carton and packaging.
- To maintain the equipment in good working condition and to ensure safe operation, it is necessary for the user to follow the safety instructions and warning notes written in this manual.
- Please note that damages caused by user modifications to this equipment are not subject to warranty.



IMPORTANT:

The manufacturer will not accept liability for any resulting damages caused by the non-observance of this manual or any unauthorised modification to the equipment.

- Never remove warning or informative labels from the equipment.
- Do not open or modify the equipment.
- Only use the equipment indoors.
- Do not expose to flammable sources, liquids or gases.
- If the equipment is dropped or damaged, have a qualified engineer inspect the equipment before operating again.
- If the product fails to function correctly, discontinue use immediately. Pack securely (preferably in the original packing material), and return to your dealer for service.
- This fixture is for professional use only - it is not designed for or suitable for household use. The product must be installed by a qualified technician in accordance with local territory regulations. The safety of the installation is the responsibility of the installer. The fixture presents risks of severe injury or death due to fire hazards, electric shock and falls.
- Repairs, servicing and power connection must only be carried out by a qualified technician. THIS UNIT CONTAINS NO USER SERVICEABLE PARTS.
- WARRANTY: One year from date of purchase.

OPERATING DETERMINATIONS

If this equipment is operated in any other way, than those described in this manual, the product may suffer damage and the warranty becomes void.

In case of malfunction this system should be returned for service or inspection.

Do not endanger your own safety and the safety of others!

Incorrect installation or use can cause serious damage to people and/or property.

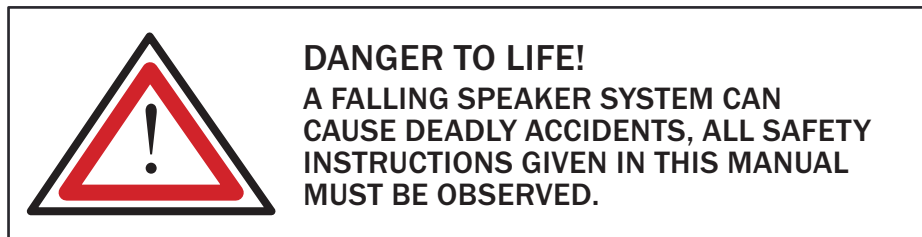
Safe installation

Make sure that the area below the installation place is blocked when rigging, derigging or servicing the system. **Please note:** W Audio cannot be made liable for damages caused by incorrect installations and excessive noise levels.

Unpacking and transportation:

Unpack the unit and examine it for transport damage.

When boxed in the original packaging the speaker/sub should be carried by two persons of the same size. Carrying the speaker/sub with one person alone should be avoided as the heavy weight and strain could lead to back injury.



Please note that speaker systems can move due to bass beats and vibrations. Furthermore, unintended pushing on the speakers present a further risk. The speaker system must always be secured to prevent movement or the surrounding area has to be blocked.

The given maximum power of the speaker/sub describes short term peaks the system can handle as a maximum. The corresponding RMS power is - as of all comparable systems (also from other manufactures) - significantly lower. The maximum power of the speakers/sub must never be exceeded. When operating the speaker/sub, please make sure that the system always sounds clear. When distortion can be heard, either the amplifier or the speakers/sub is being overdriven. Overloads can quickly lead to amplifier or speaker/sub damage. In order to avoid damage, please reduce the volume immediately when distortion can be heard.

When speakers/subs are damaged by overdriving, the guarantee becomes void.

- The ambient temperature must always be between -5°C and $+45^{\circ}\text{C}$.
Keep away from direct sunlight (particularly in cars) and from heaters.
- The relative humidity must not exceed 50% with an ambient temperature of $+45^{\circ}\text{C}$.
- This speaker/sub must only be installed at a solid, horizontal, anti-slip, vibration and oscillation free fire resistant location.
- Please note: When using this speaker/sub in public or industrial areas, a series of safety instructions have to be followed that this manual can only give in part. The operator must therefore inform himself on the current safety regulations.
- Before installing the speaker/sub, make sure that the installation area can hold a minimum point load of 5 times the systems weight (e.g. weight 20kg - point load 100kg).
- The speaker must never be installed higher than 100cm with out a secondary attachment.
- For over head installations (mounting height $>100\text{cm}$), always fix the speaker with an appropriate safety cable.
- The installation area of the speaker/sub has to be built and constructed in a way that it can hold 10 times the weight of the speaker/sub for 1 hour without any deformation.



DANGER TO LIFE - DUE TO FALLING SPEAKERS SYSTEMS!
A SUBWOOFER MUST NEVER BE SUSPENDED.
MID/HIGH SPEAKERS MUST ONLY BE SUSPENDED BY
EXPERIENCED AND TRAINED PERSONS.

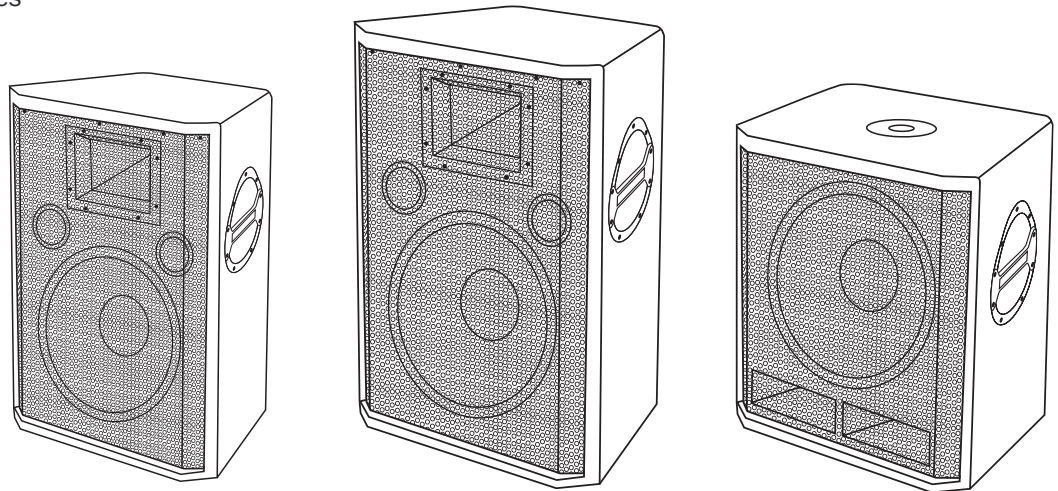
These speakers can be mounted on a speaker stand using the supplied adaptors. The carrying capacity of the extension pole and the speaker stand must never be exceeded.

DX Series

Updated technology gives the DX range improved performance, sound dispersion and lighter weight at an unbelievably low price. These speakers are rugged and have dependable components. The two-way enclosures utilise either a 12" or 15" W Audio bass driver that will handle up to 1200W of peak power whilst the DX S15 compact sub packs 1400W of peak music punch. Finished in durable black carpet with two heavy-duty tear drop handles and a stand mount, the DX series is perfect for a variety of applications.

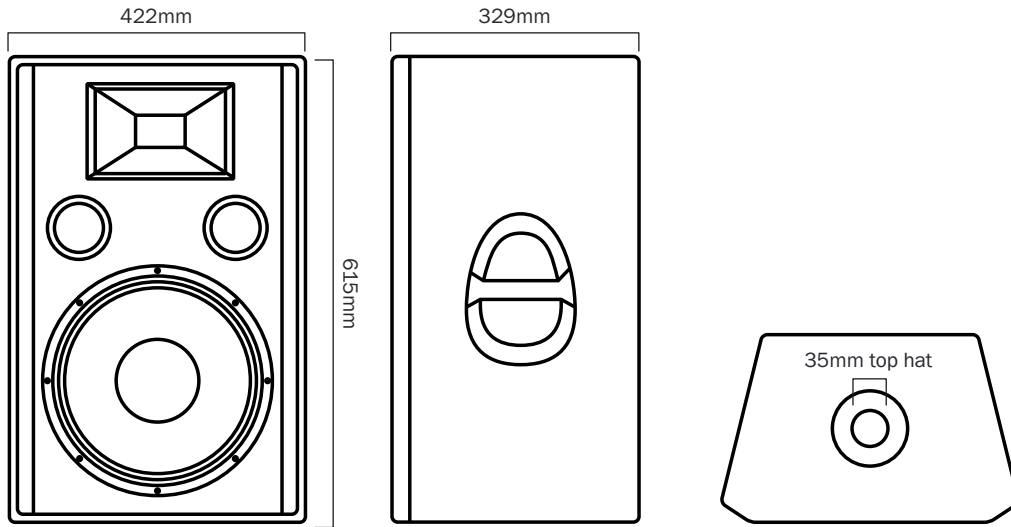
- Durable black carpet finish
- Heavy-duty tear drop handles

In the box:
1 x speaker/sub,
& 1 x user manual

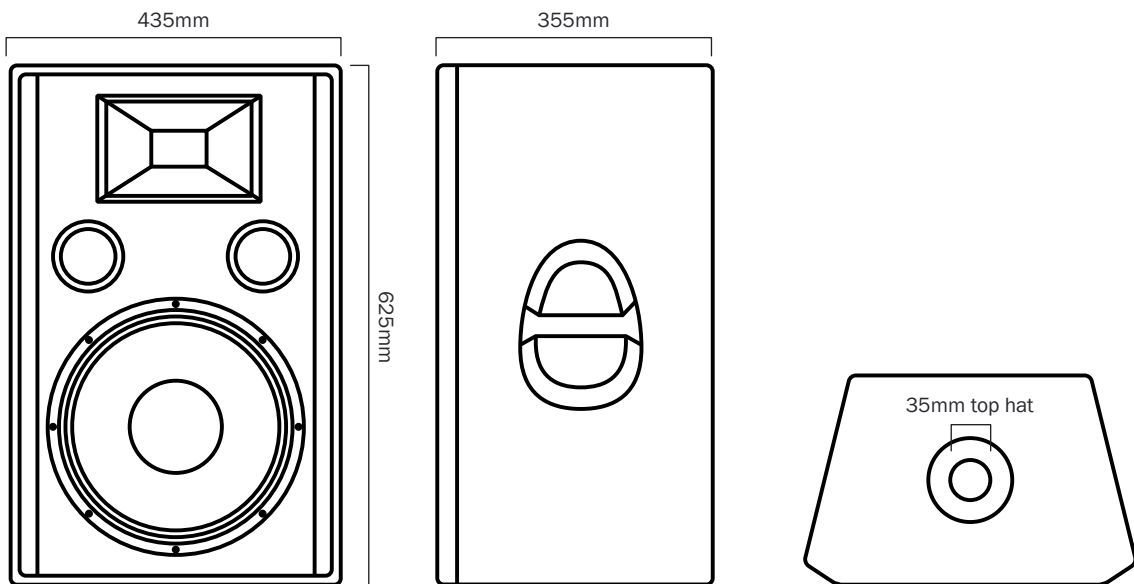


Specifications	DX 12	DX 15	DX S15
Continuous power (RMS)	200W	300W	350W
Peak power	800W	1200W	1400W
Sensitivity (1W/1m)	95dB	97dB	96dB
Frequency range (-10dB)	60Hz - 20kHz	45Hz - 20kHz	45Hz - 250Hz
LF transducer	12"	15"	15"
HF transducer	1"	1"	-
Nominal impedance	8Ω	8Ω	8Ω
Connections	2 x locking speaker connectors	2 x locking speaker connectors	2 x locking speaker connectors
Dimensions (H x W x D)	615 x 422 x 329mm	625 x 435 x 355mm	560 x 435 x 555mm
Weight	15.2kg	17.6kg	24.2kg
Order code	SPEA12	SPEA13	SPEA14

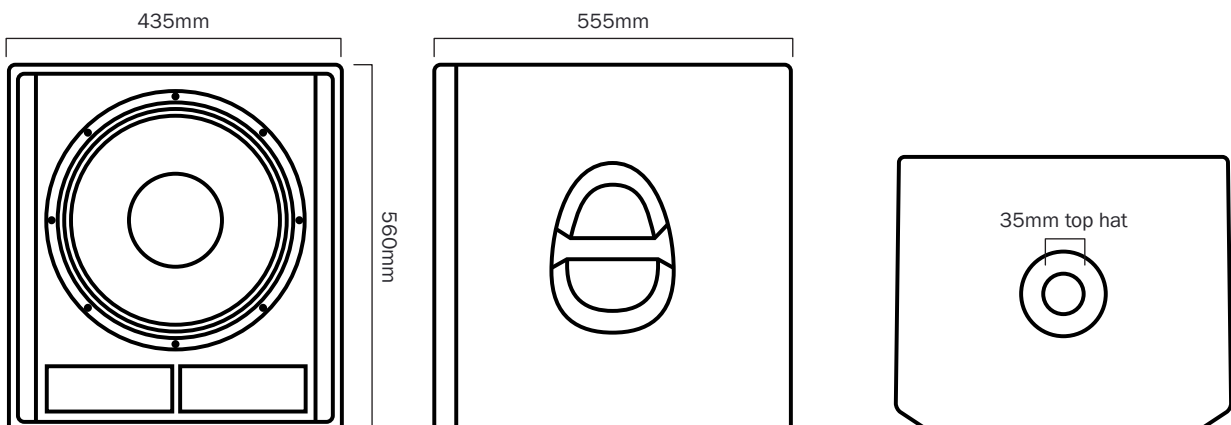
DX 12 dimensions



DX 15 dimensions



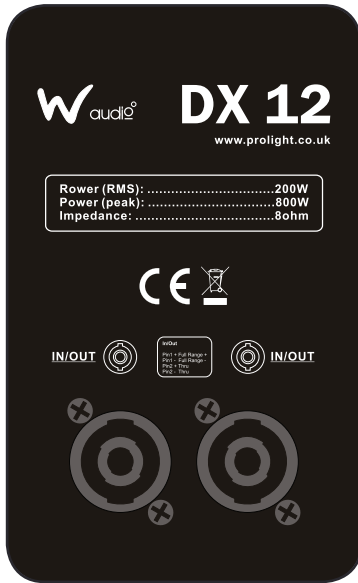
DX S15 dimensions



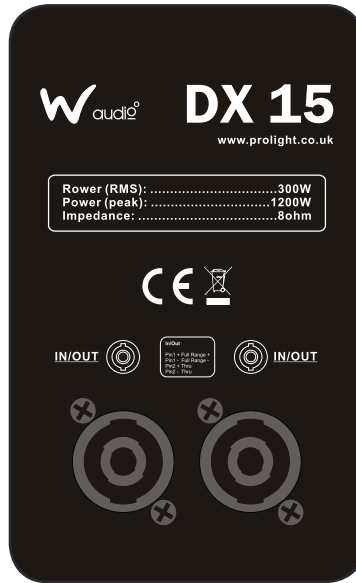
DX 12 rear panel & block diagram

DX 15 rear panel & block diagram

DX S15 rear panel & block diagram



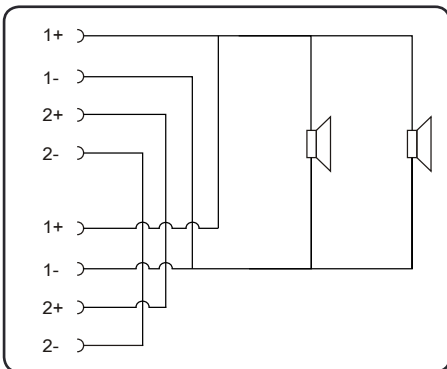
Rear panel



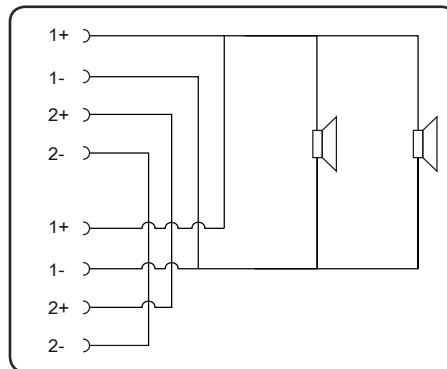
Rear panel



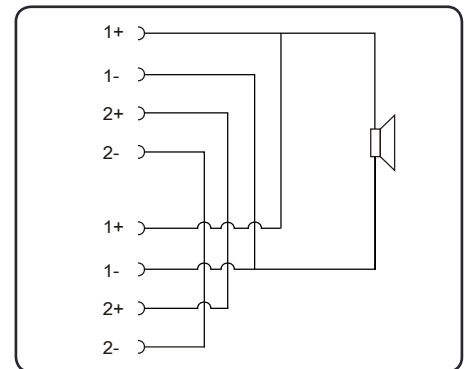
Rear panel



Block diagram



Block diagram



Block diagram



***Correct Disposal of this Product
(Waste Electrical & Electronic Equipment)***

**(Applicable in the European Union and other European countries
with separate collection systems)**

This marking shown on the product or its literature, indicates that it should not be disposed of with other household wastes at the end of its working life. To prevent possible harm to the environment or human health from uncontrolled waste disposal, please separate this from other types of wastes and recycle it responsibly to promote the sustainable reuse of material resources.

Household users should contact either the retailer where they purchased this product, or their local government office, for details of where and how they can take this item for environmentally safe recycling.

Business users should contact their supplier and check the terms and conditions of the purchase contract. This product should not be mixed with other commercial wastes for disposal.

