



USER MANUAL



PSR-8i

Passive Professional Two-Way Sound Reinforcement Loudspeaker

This manual does not include all of the details of design, production, or variations of the equipment. Nor does it cover every possible situation which may arise during installation, operation or maintenance. The information provided in this manual was deemed accurate at the publication date.

www.prolight.co.uk

Important Safety Instructions

- 1) Read these instructions.
- 2) Keep these instructions.
- 3) Heed all warnings.
- 4) Follow all instructions.
- 5) Do not use this apparatus near water.
- 6) Clean only with a dry cloth.
- 7) Do not block any ventilation openings.

Install in accordance with the manufacturer's instructions.

- 8) Do not install near any heat sources such as radiators, heat exchangers, stoves, or other apparatus that produce heat.
- 9) Protect the power cable from being walked on or trapped, particularly at plugs, and the point where they exit from the apparatus.
- 10) Only use attachments/accessories specified by the manufacturer.
- 11) Refer all servicing to qualified service personnel. Servicing is required when the apparatus has been damaged in any way, such as the power supply cable or plug being damaged, liquid being spilled or objects which have fallen into the apparatus. never use the apparatus when it has been exposed to rain or moisture, or has been dropped.



TO PREVENT ELECTRIC SHOCK DO NOT REMOVE TOP OR BOTTOM COVERS. NO USER SERVICEABLE PARTS INSIDE. REFER SERVICING TO QUALIFIED SERVICE PERSONNEL.



WATCH FOR THESE SYMBOLS:

The lightning bolt triangle is used to alert the user to the risk of electric shock.



The exclamation point triangle is used to alert the user to important operating or maintenance instructions.



Table of Contents

Important Safety Instructions2
Table of Contents3
Introduction4-5
Connection Diagrams6-7
Connector Wiring.....8
Block Diagram.....8
Frequency Response.....8
Dimension Drawings.....8
Specifications9



INTRODUCTION

Thank you for choosing **W** audio[®] Passive sound reinforcement speakers.

The PSR-8i is an passive two-way loudspeaker capable of extremely high sound pressure levels, and designed to give you the best performance of any loudspeaker in its class and price range.

Our design goal was to build a sound reinforcement speaker with:

- 1.High precision, high output, and accurate reproduction.
- 2.Very wide, smooth dispersion of mid and high frequencies.
- 3.Ergonomically design for easy transport and set up.

Through the combined resources of our mechanical and analog engineers, we were able to achieve our design goals in every respect. The result is a sound reinforcement system equally at home in a concert setting, studio, cinema, or in a home theatre.

The Transducers

The PSR-8i passive speaker features a 8-inch high-power low-frequency woofer and a 1.5-inch aluminum diaphragm high output precision compression driver. This high-frequency driver is mounted on an acoustically nonresonant exponential waveguide, providing a wide, controlled dispersion and precise reproduction of the critical upper mid-range and high frequencies. The result is an unbelievably smooth off axis response that allows everyone in the audience to experience the same high-resolution audio no matter where they are seated.

Each driver has been specifically designed by our engineers for optimum performance in the lightweight high-strength cabinet.



INTRODUCTION

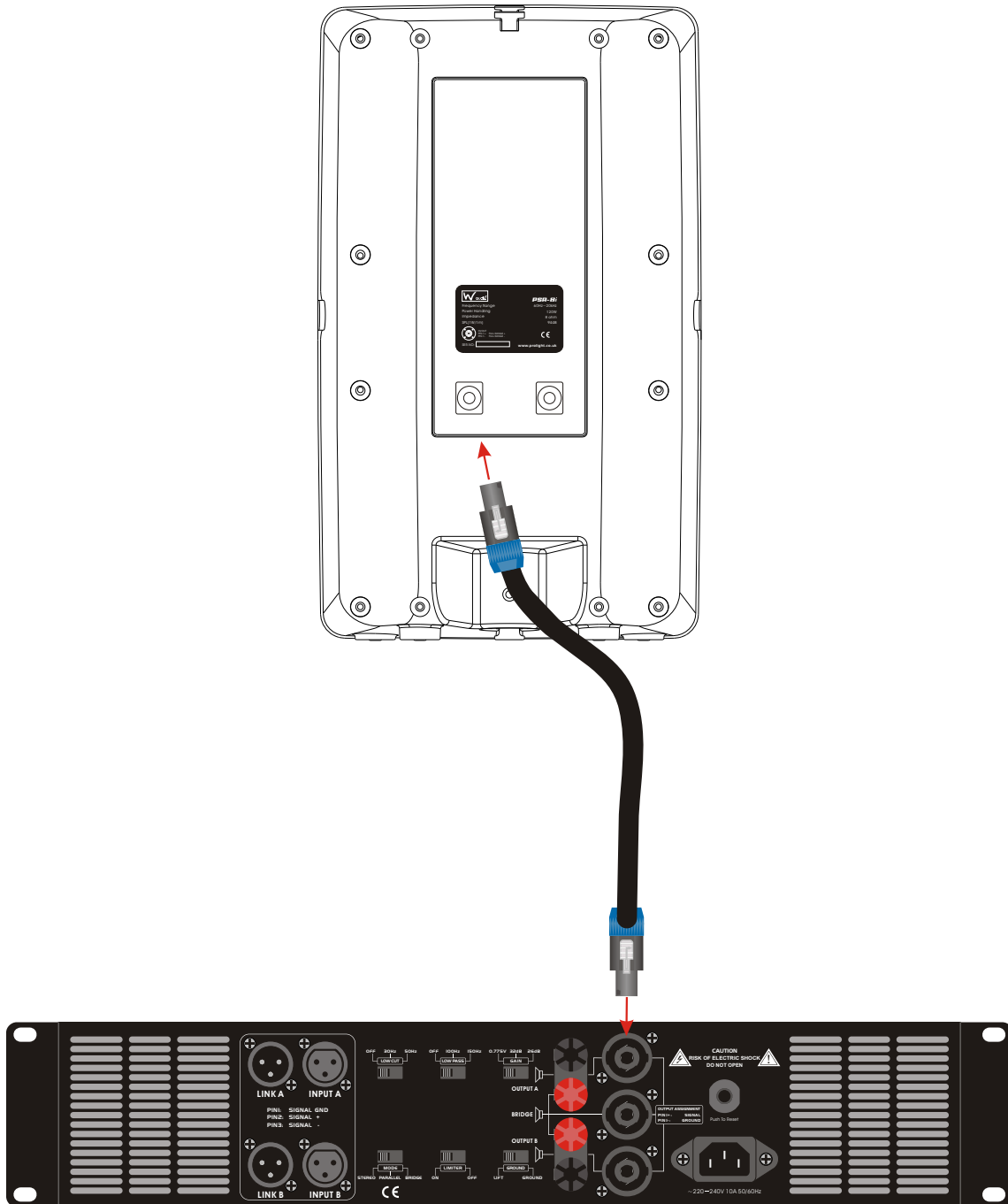
The Cabinet

The PSR-8i cabinet was designed to be the strongest moulded composite cabinet on the planet. This material is rigid enough to prevent unwanted vibrations in the cabinet. It has built-in flying points for hanging, and a socket in the bottom for mounting on a tripod stand. Although it is an exceptional choice for portable sound system use. The asymmetrical trapezoidal design of the cabinet makes it easy to use as a floor wedge for stage monitor applications.



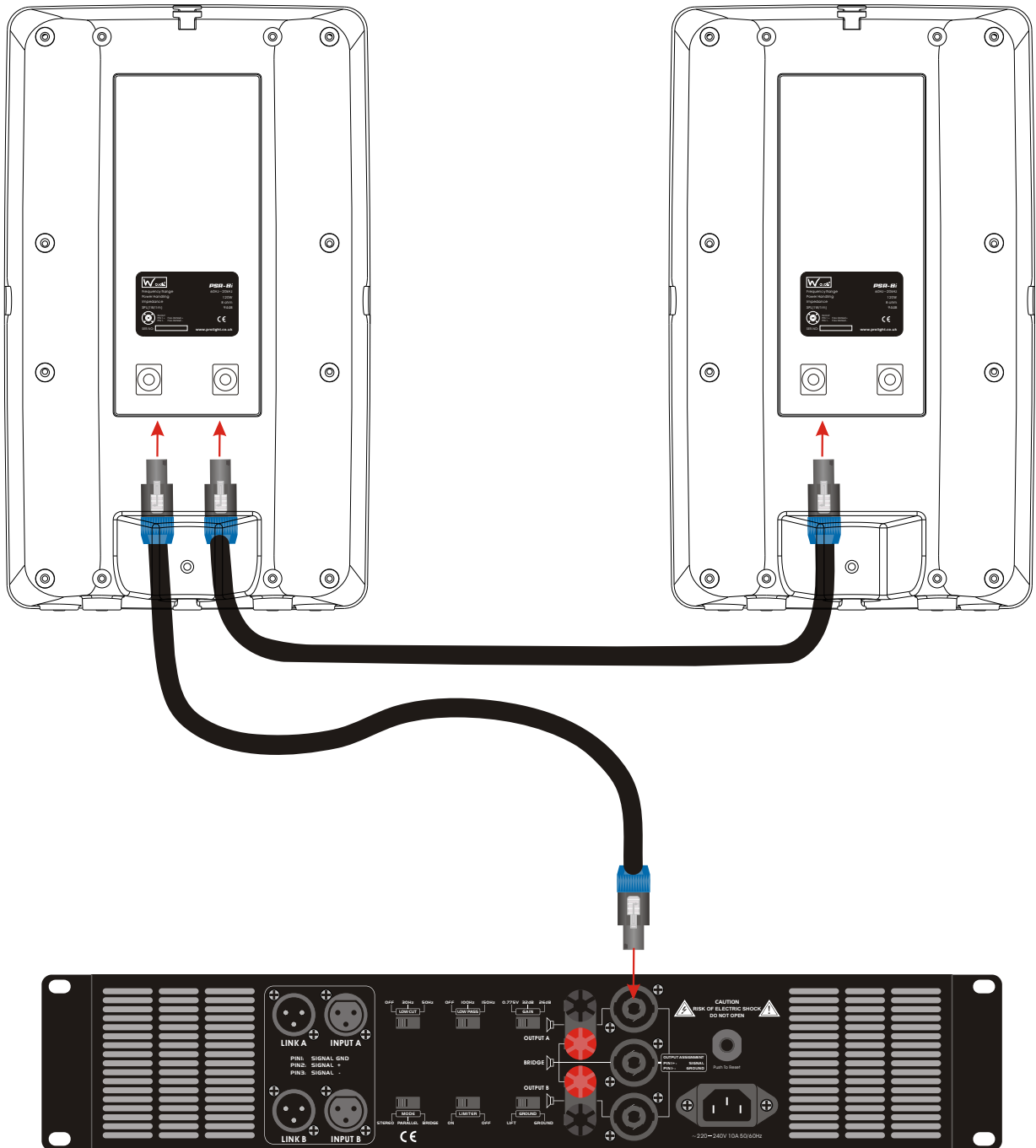
HOOKUP DIAGRAMS

NORMAL OPERATION



HOOKUP DIAGRAMS

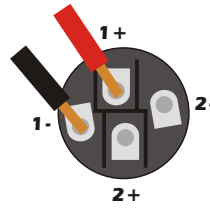
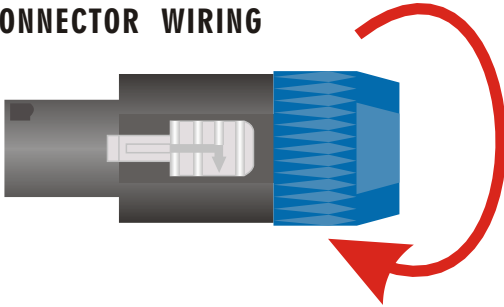
PARALLEL MODE



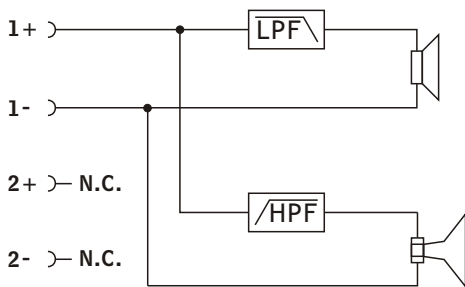


Passive Speaker System

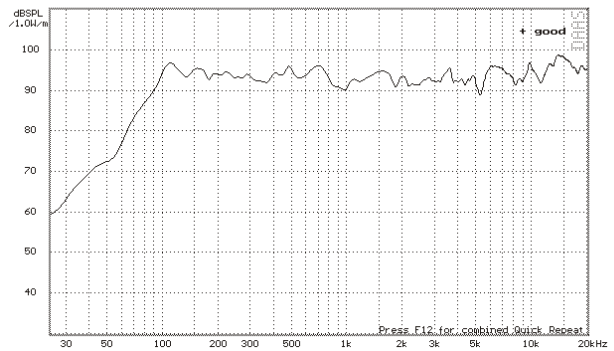
CONNECTOR WIRING



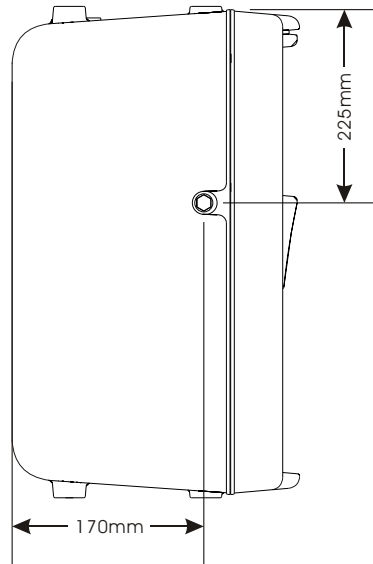
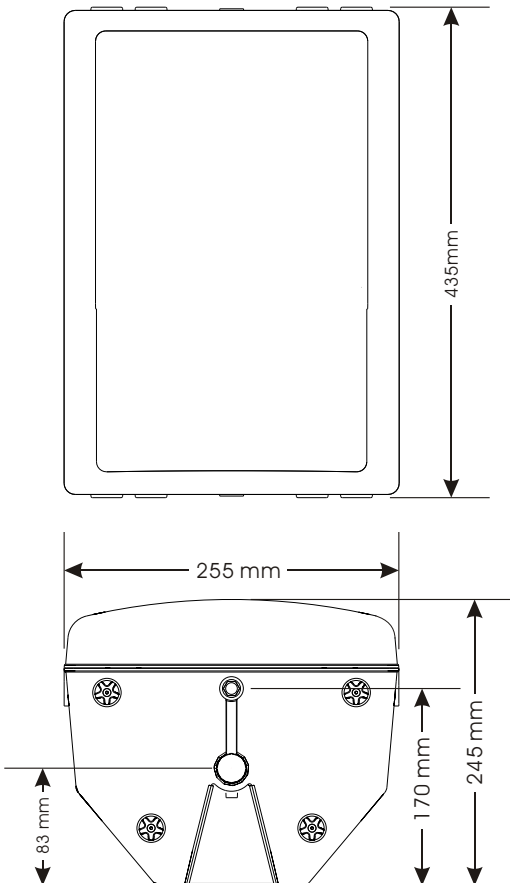
PSR-8 BLOCK DIAGRAM



FREQUENCY RESPONSE



DIMENSION DRAWINGS





PSR-8i SPECIFICATIONS

System Specifications	
Frequency Response(-3dB)	75Hz-20kHz
Frequency Range(-10dB)	60Hz-20kHz
Impedance	8 ohms
Sensitivity	94dB
Rated System Power(Continuous)	120W
Rated System Power(Peak)	480W
Max SPL Long-term@1m	114dB
Max SPL Peak@1m	120dB
Horizontal Coverage	90°
Vertical Coverage	60°
Crossover	2kHz
Operating Temperature Range	-10° C to 55° C(14° F to 131° F)
Input Type	Speakon,NL4×2
Transducers	
Low-Frequency Transducer Diameter Voice Coil Diameter Frequency Range Sensitivity(1W@1M) Nominal Impedance Power Handling	8 in/203mm 2 in/50mm 60Hz-5kHz 94dB 8ohms 120 watts, program
High-Frequency Transducer Diaphragm Diameter Diaphragm Material Frequency Range Sensitivity(1W@1M) Nominal Impedance Power Handling	1.5 in/34mm Aluminum 1.5kHz-20kHz 105dB 8ohms 30 watts, program
Physical Properties	
Height	17.1in/435mm
Width	10 in/255mm
Depth	9.6 in/245mm
Weight	17.6 lb/8kg
Disclaimer	
Since we are always striving to make our products better by incorporating new and improved materials, components, and manufacturing methods, we reserve the right to change these specifications at any time without notice.	

