



# **Zenith 108 Speaker**

**User Manual**



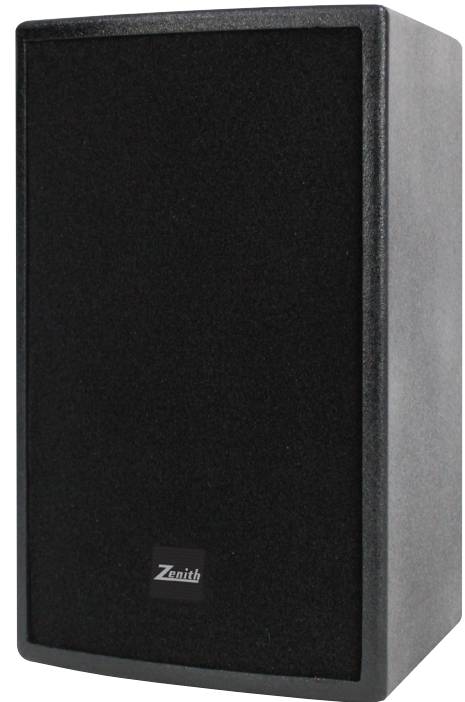
**Order code: SPEA54**

## Zenith 108 Speaker

Zenith from W Audio is a high-end passive speaker range with single, dual-woofer and subwoofer configurations. Zenith stands for superior performance and reliability which is ideally suited to the installation and high power sound reinforcement markets.

Incorporating high-efficiency full range drivers matched with high quality crossovers, the Zenith series sustains high-power output without any compromise to quality.

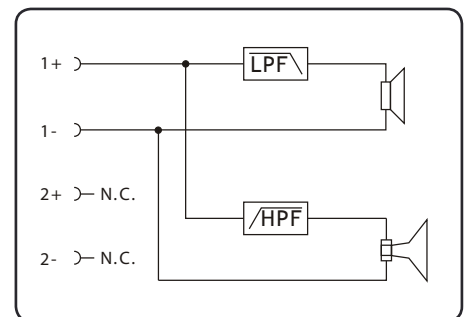
- Compact passive speaker with titanium compression driver
- Multiple 10mm rigging points
- 35mm top hat for pole mounting
- CNC machined pocket handles
- Durable hardwearing finish



Specifications	Zenith 108
Continuous power	120Wrms
Peak power	480W
Max. calculated SPL	121dB
Efficiency (1W/1m)	94dB
Frequency range (-10dB)	70Hz~20kHz
Frequency response (-3dB)	80Hz~20kHz
Crossover frequency	3.0kHz
Horizontal coverage	90°
Vertical coverage	60°
LF transducer	8" / 50mm
HF transducer	1" / 34mm
Nominal impedance	8Ω
Connections	2 x NL4 SpeakON
Dimensions (H x W x D)	430 x 270 x 275mm
Weight	10kg
Order code	SPEA54



Rear panel



Block diagram

