

Zenith S115



Professional
Loudspeaker

Key Features:

- Compact passive subwoofer system
- Smooth Response With High Power Handling Capacity of 600W RMS
- 15"/100mm Transducer
- 16 Integral Suspension Points
- Stackable array system
- Complete Mounting Solutions



General Description and Applications:

W audio Subwoofers are legendary for their extended low frequency response and high-impact "punch".

Providing massive output these compact rigid enclosures feature advanced transducer designs with an extremely high output.

Integral pole available to support one mid-high or full range loudspeaker.

Technical Specification:

Freq.Range(-10dB):	45Hz~220Hz
Freq.Response(-3dB):	50Hz~200Hz
Axial Sensitivity:	99dB(1W/1m)
Max Calculated SPL:	132dB
Rated System Power:	600W RMS 2400W Peak
LF Transducer:	15"/100mm
Nominal Impedance:	8ohm
Connector:	2xNL4 Speakon
Dim (W×H×D):	450mm×560mm×635mm
Net Weight:	31Kg
Shipping Weight:	33.5Kg

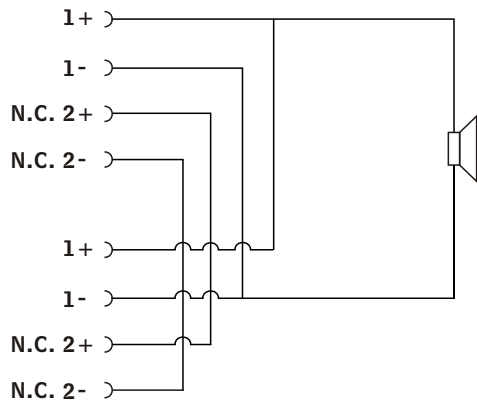


Zenith S115



Professional
Loudspeaker

Block Diagram



Dimension Drawings

