



Zenith MH212 FOH Speaker

User Manual



Order code: SPEA80

WARNING

FOR YOUR OWN SAFETY, PLEASE READ THIS USER MANUAL CAREFULLY BEFORE YOUR INITIAL START-UP!

- Immediately upon receiving this product, carefully unpack the carton and check the contents to ensure that all the parts are present.
- Before initial start-up, please make sure that there is no damage caused during transportation.
- Should there be any damage, consult your dealer and do not use the equipment.
- Retain the carton and all packaging materials.
- In the event that the equipment must be returned to the supplier, it is important that the equipment is returned in the original carton and packaging.
- To maintain the equipment in good working condition and to ensure safe operation, it is necessary for the user to follow the safety instructions and warning notes written in this manual.
- Please note that damages caused by user modifications to this equipment are not subject to warranty.



IMPORTANT:

The manufacturer will not accept liability for any resulting damages caused by the non-observance of this manual or any unauthorised modification to the equipment.

- Never remove warning or informative labels from the equipment.
- Do not open or modify the equipment.
- Do not switch the equipment on and off in short intervals, as this will reduce the system's life.
- Only use the equipment indoors.
- Do not expose to flammable sources, liquids or gases.
- If the equipment is dropped or damaged, have a qualified engineer inspect the equipment before operating again.
- If the equipment has been exposed to drastic temperature fluctuation (e.g. after transportation), do not switch it on immediately. The arising condensation might damage the equipment. Leave the equipment switched off until it has reached room temperature.
- If the product fails to function correctly, discontinue use immediately. Pack securely (preferably in the original packing material), and return to your dealer for service.
- This fixture is for professional use only - it is not designed for or suitable for household use. The product must be installed by a qualified technician in accordance with local territory regulations. The safety of the installation is the responsibility of the installer. The fixture presents risks of severe injury or death due to fire hazards, electric shock and falls.
- Repairs, servicing and power connection must only be carried out by a qualified technician. THIS UNIT CONTAINS NO USER SERVICEABLE PARTS.
- WARRANTY: One year from date of purchase.

OPERATING DETERMINATIONS

If this equipment is operated in any other way, than those described in this manual, the product may suffer damage and the warranty becomes void. Incorrect operation may lead to danger e.g: short-circuit, burns and electric shocks etc.

In case of malfunction this system should be returned for service or inspection.

Do not endanger your own safety and the safety of others!

Incorrect installation or use can cause serious damage to people and/or property.

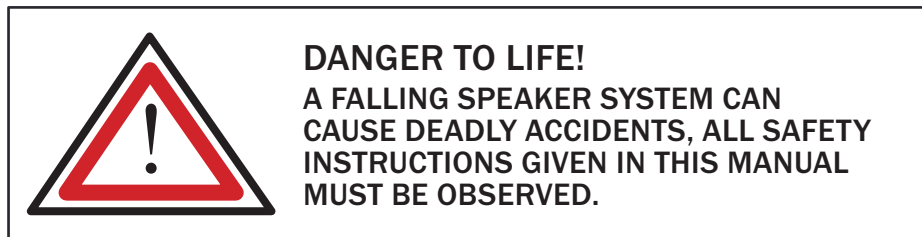
Safe installation

Make sure that the area below the installation place is blocked when rigging, derigging or servicing the system. **Please note:** W Audio cannot be made liable for damages caused by incorrect installations and excessive noise levels.

Unpacking and transportation:

Unpack the unit and examine it for transport damage.

When boxed in the original packaging the speaker/sub should be carried by two persons of the same size. Carrying the speaker/sub with one person alone should be avoided as the heavy weight and strain could lead to serious injury.



Please note that speaker systems can move due to bass beats and vibrations.

Furthermore, unintended pushing on the speakers present a further risk. The speaker system must always be secured to prevent movement or the surrounding area has to be blocked.

The given maximum power of the speaker/sub describes short term peaks the system can handle as a maximum. The corresponding RMS power is - as of all comparable systems (also from other manufactures) - significantly lower. The maximum power of the speakers/sub must never be exceeded. When operating the speaker/sub, please make sure that the system always sounds clear. When distortion can be heard, either the amplifier or the speakers/sub is being overdriven. Overloads can quickly lead to amplifier or speaker/sub damage. In order to avoid damage, please reduce the volume immediately when distortion can be heard.

When speakers/subs are damaged by overdriving, the guarantee becomes void.

- The ambient temperature must always be between -5° C and +45° C.
Keep away from direct sunlight (particularly in cars) and from heaters.
- The relative humidity must not exceed 50% with an ambient temperature of +45° C.
- This speaker/sub must only be installed at a solid, horizontal, anti-slip, vibration and oscillation free fire resistant location.
- Please note: When using this speaker/sub in public or industrial areas, a series of safety instructions have to be followed that this manual can only give in part. The operator must therefore inform himself on the current safety regulations.
- Before installing the speaker/sub, make sure that the installation area can hold a minimum point load of 5 times the systems weight (e.g. weight 20kg - point load 100kg).
- The speaker must never be installed higher than 100cm with out a secondary attachment.
- For over head installations (mounting height >100cm), always fix the speaker with an appropriate safety cable.
- The installation area of the speaker/sub has to be built and constructed in a way that it can hold 10 times the weight of the speaker/sub for 1 hour without any deformation.



DANGER TO LIFE - DUE TO FALLING SPEAKERS SYSTEMS!
A SUBWOOFER MUST NEVER BE SUSPENDED.
MID/HIGH SPEAKERS MUST ONLY BE SUSPENDED BY
EXPERIENCED AND TRAINED PERSONS.

Zenith MH212 FOH Speaker

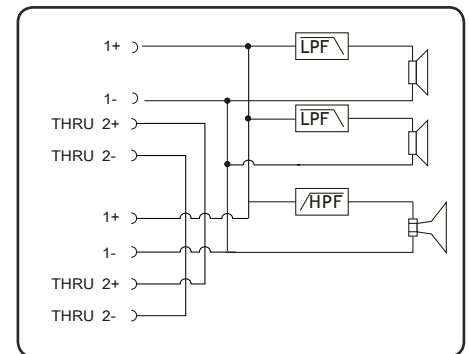
High SPL mid/high enclosure suited to FOH and side fill applications featuring two 12" cast basket LF drivers together with a 1.4" HF driver arranged in a three way, semi horn loaded configuration. The cabinet is constructed from robust birch ply fitted with fly points, bar handles and dolly board mounting hardware suitable for rental or installation.

- Multiple 10mm rigging points
- Penn Elcom flying track rigging points
- Steel bar handles
- Robust birch ply cabinets with a durable hardwearing finish
- Rubber feet
- Two wheel board catch plates
- Acoustic foam
- Recessed connector plate

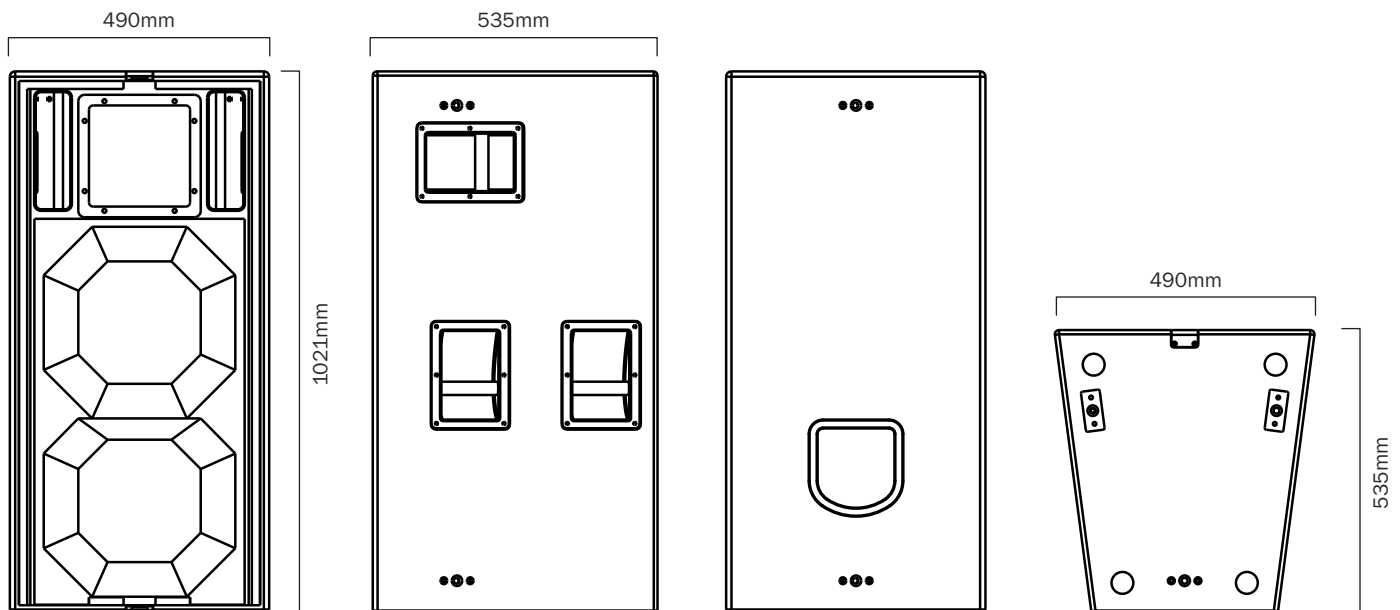


Rear panel

Specifications	MH212
Continuous power (RMS)	800W
Peak power	3200W
Max. calculated SPL	138dB
Sensitivity (1W/1m)	103dB
Frequency range (-10dB)	50Hz~18kHz
Frequency range (-3dB)	60Hz~16kHz
LF transducer	2 x 12"
HF transducer	1.4"
Nominal impedance	4Ω
Connections	2 x NL4 SpeakON
Dimensions (H x W x D)	1021 x 490 x 535mm
Weight	57kg
Order code	SPEA80



Block diagram





***Correct Disposal of this Product
(Waste Electrical & Electronic Equipment)***

**(Applicable in the European Union and other European countries
with separate collection systems)**

This marking shown on the product or its literature, indicates that it should not be disposed of with other household wastes at the end of its working life. To prevent possible harm to the environment or human health from uncontrolled waste disposal, please separate this from other types of wastes and recycle it responsibly to promote the sustainable reuse of material resources.

Household users should contact either the retailer where they purchased this product, or their local government office, for details of where and how they can take this item for environmentally safe recycling.

Business users should contact their supplier and check the terms and conditions of the purchase contract. This product should not be mixed with other commercial wastes for disposal.





Please contact your local retailer to purchase these accessories.



Optional Wheel Board
Order code: SPEA80W

To keep up-to-date on the latest accessories and product range additions please visit www.prolight.co.uk