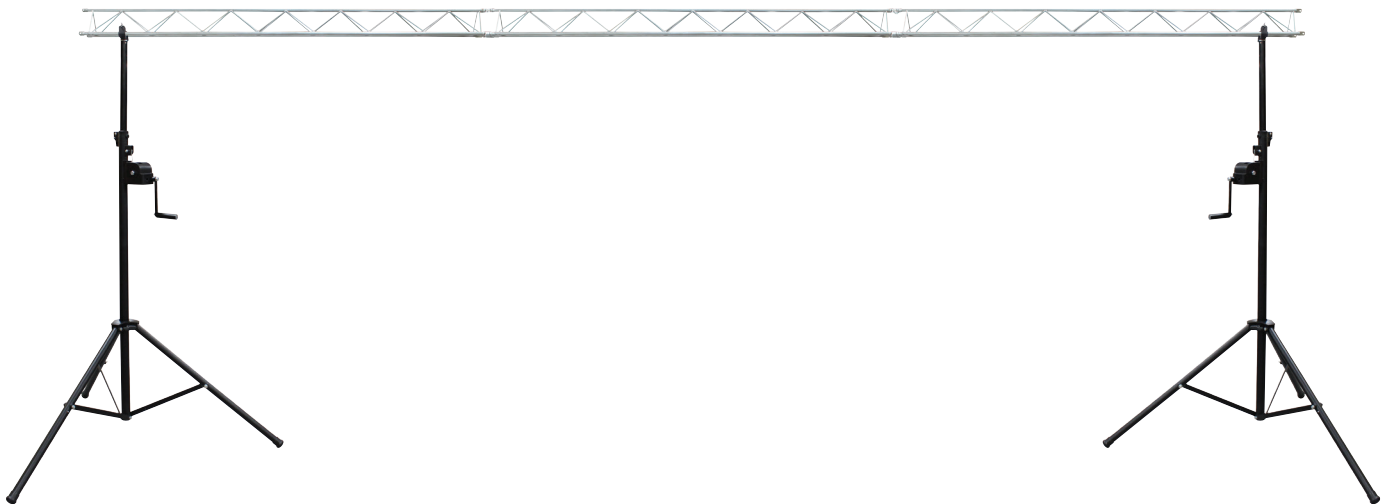


EQUINOX

6m Wind Up Truss System

User Manual



Order code: TRUS06

WARNING**FOR YOUR OWN SAFETY, PLEASE READ THIS USER MANUAL CAREFULLY BEFORE YOUR INITIAL SET-UP!**

- Before your initial set-up, please make sure that there is no damage or lost components caused during transportation.
- Should there be any damage, consult your dealer and do not use the equipment.
- To maintain the equipment in good working condition and to ensure safe operation, it is necessary for the user to follow the safety instructions and warning notes written in this manual.
- Please note that damages caused by user modifications to this equipment are not subject to warranty.
- The stands must only be operated in an exactly vertical position.
- The total load must be centred or evenly distributed along the truss.
- DO NOT use the truss system for loads that exceed the maximum provided in this manual.
- DO NOT use the stand if any welded joints or castings are cracked or appear compromised.
- Never lean anything against the stand.
- All sliding and rotating mechanisms must be lubricated and inspected regularly.
- The cable should be inspected for fraying prior to each use.
- DO NOT use a stand that has been dropped.

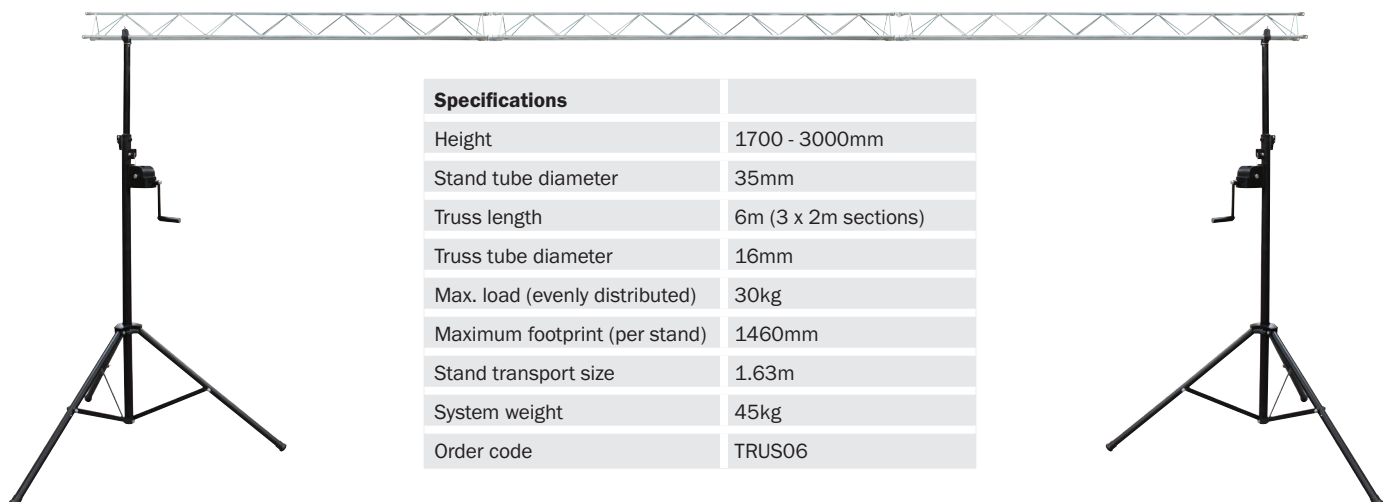
IMPORTANT:

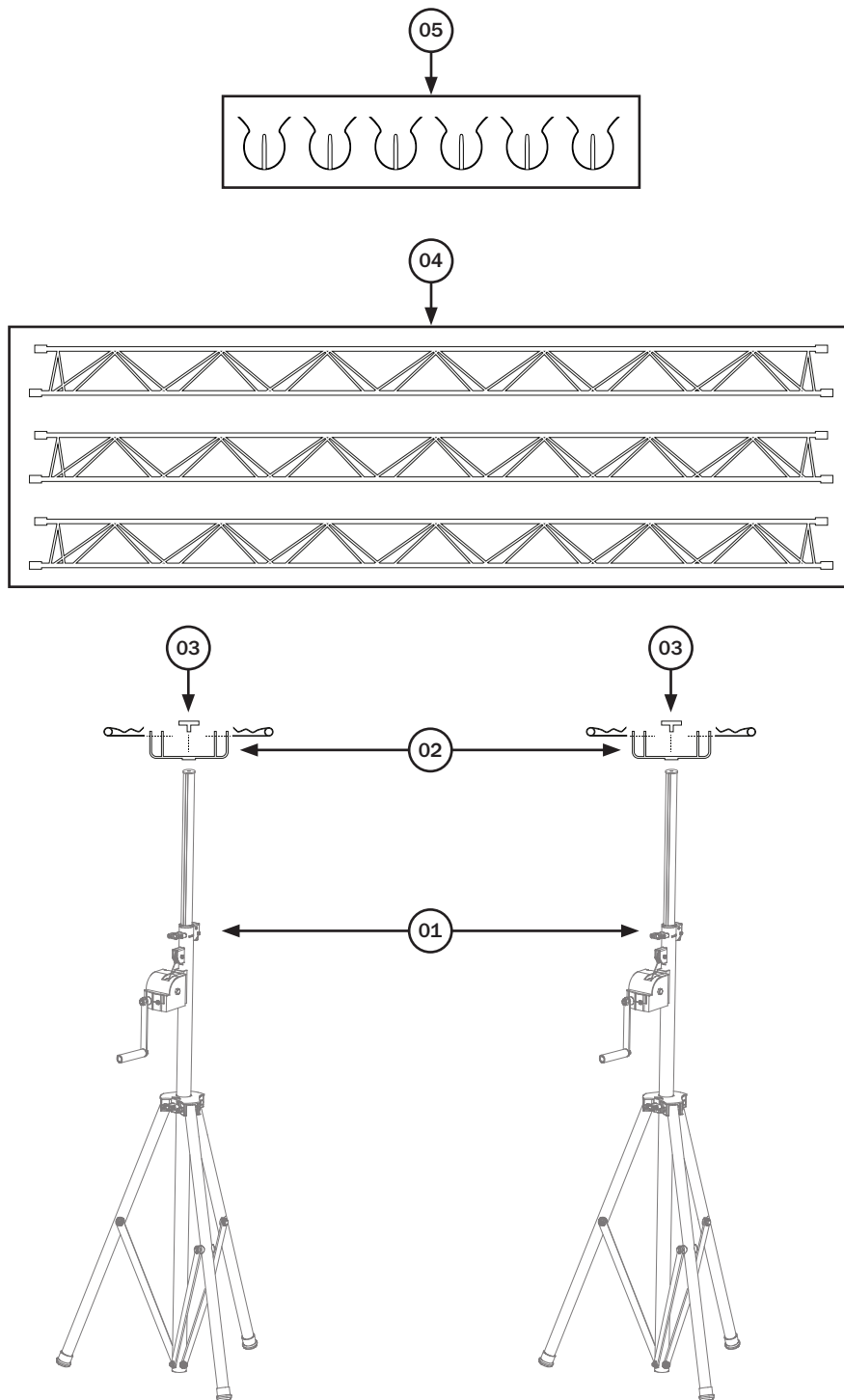
The manufacturer will not accept liability for any resulting damages caused by the non-observance of this manual or any unauthorised modification to the equipment.

WARRANTY: One year from date of purchase

6.0m Wind Up Truss System

This all-in-one truss solution is ideal for mobile entertainers, bands and rental companies. Supplied with two wind-up stands, truss supports and three pieces of mini trussing which can be easily connected with the included quick-connectors. The total width of the system is 6m but the system can be also used at 2m and 4m variants.





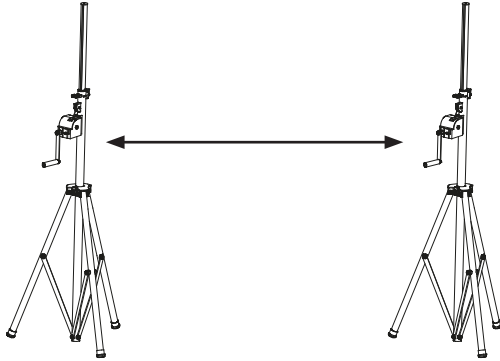
- 01 - 3m winch stand
- 02 - Truss stand adaptor
- 03 - M10 wing bolts

- 04 - 2m steel deco truss
- 05 - Spring joining pins

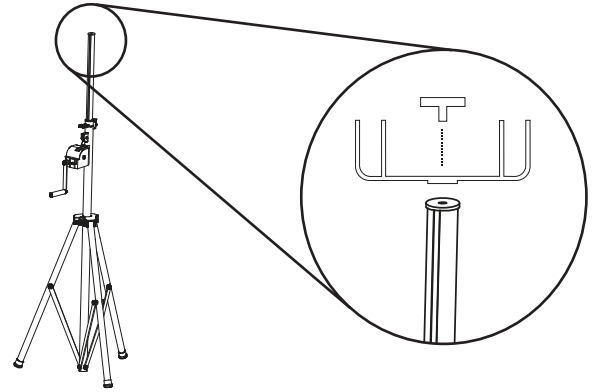
In the box:
 2 x 3m winch stands, 2 x M10 wing bolts,
 3 x 2m lengths of steel deco truss,
 2 truss stand adaptors, 6 spring joining pins &
 1 x user Manual

Setup:

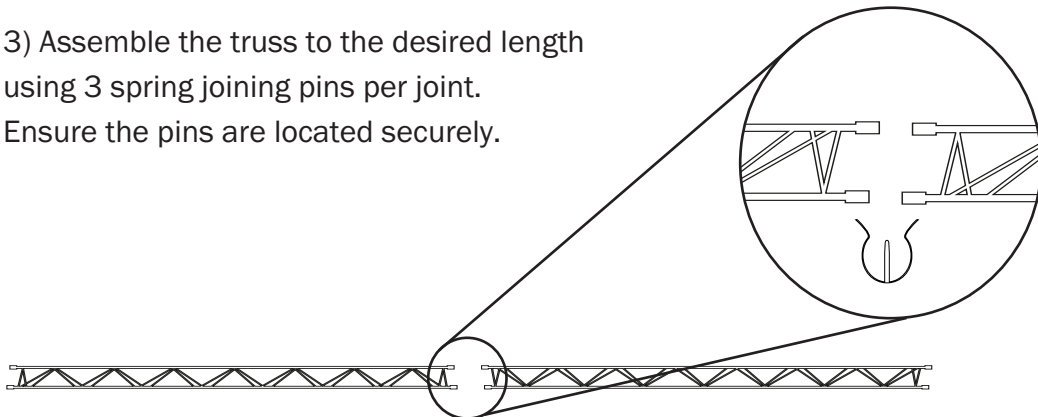
1) Place the stands on a firm, level surface up to 5m apart (3m if using 2 x 2m sections, 1.5m if using 1 x 2m section).



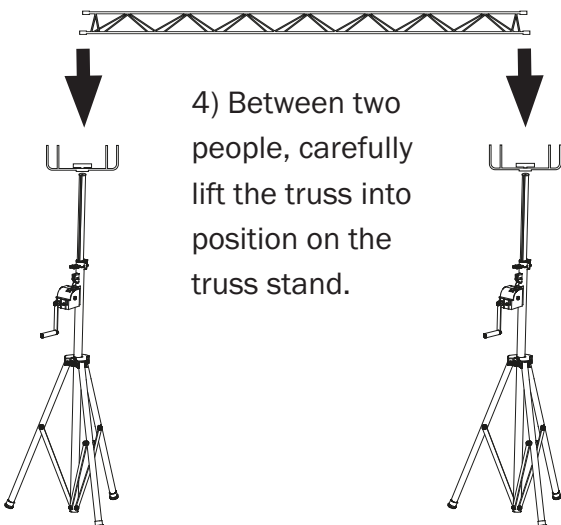
2) Fix the truss adaptor onto the top of each winch stand using the M10 bolt supplied.



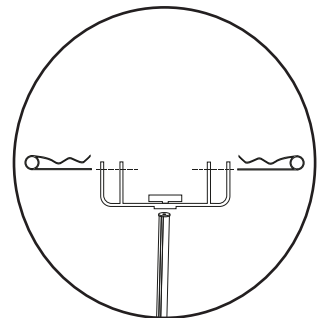
3) Assemble the truss to the desired length using 3 spring joining pins per joint. Ensure the pins are located securely.



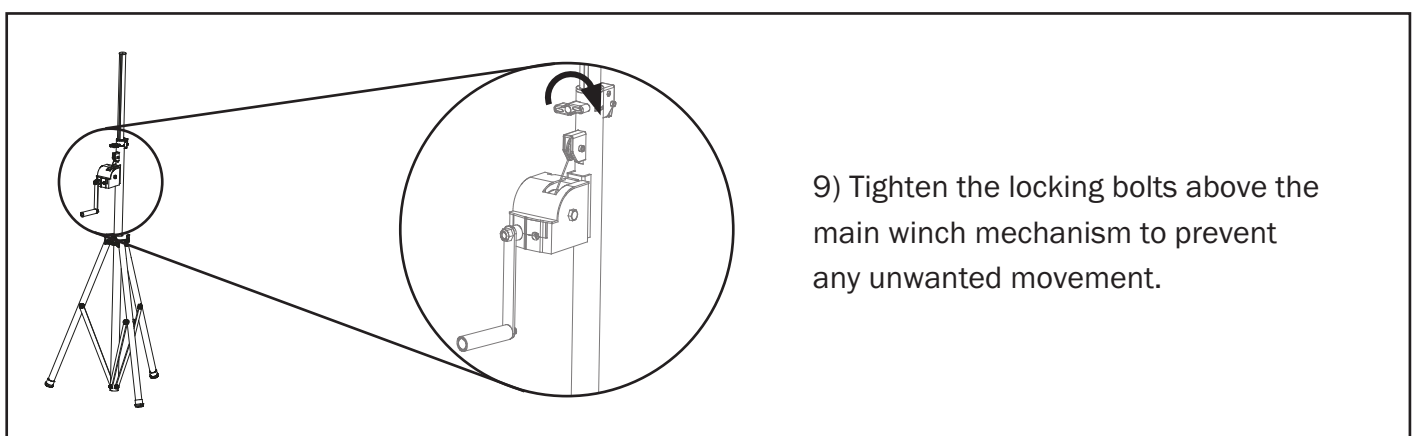
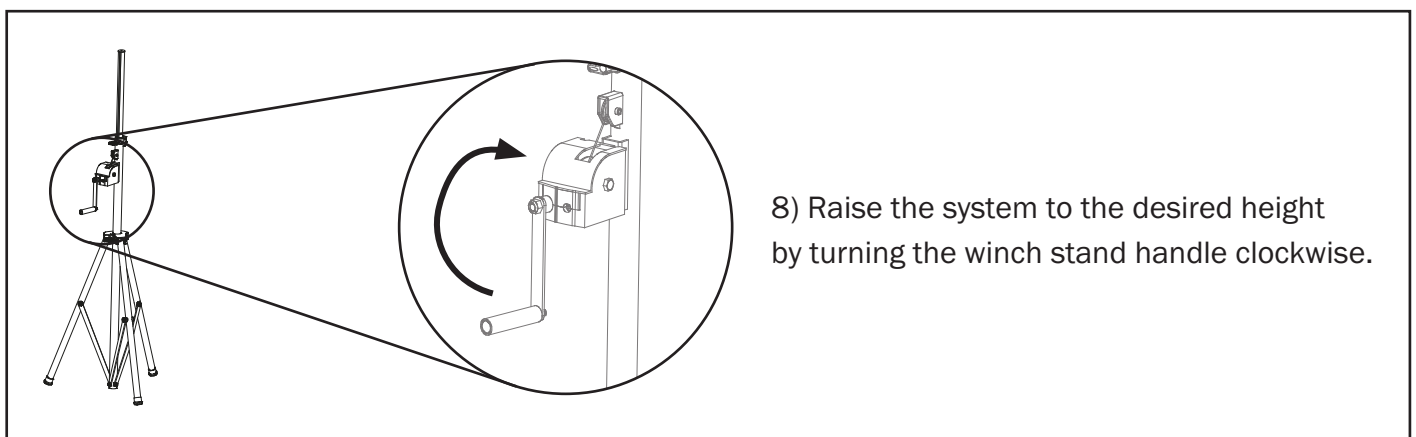
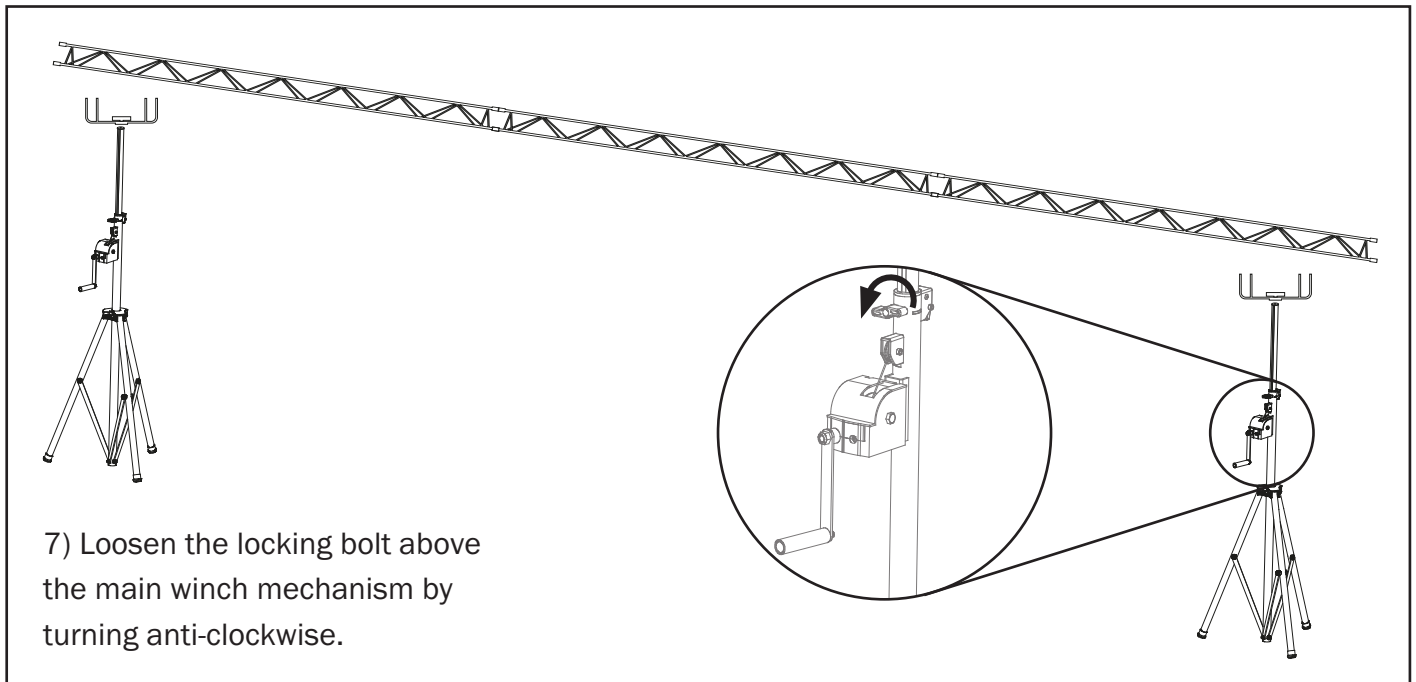
4) Between two people, carefully lift the truss into position on the truss stand.



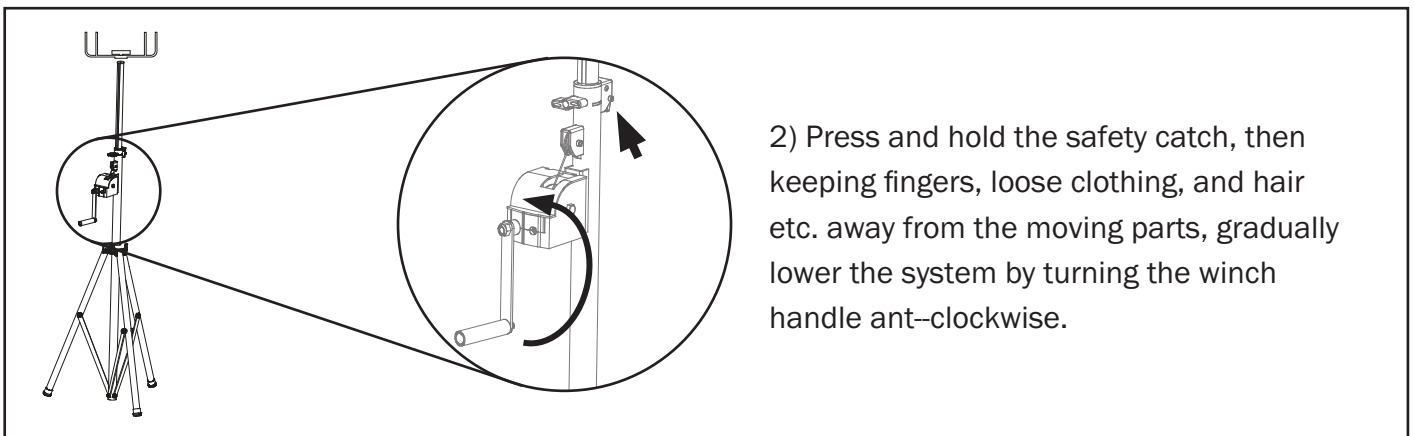
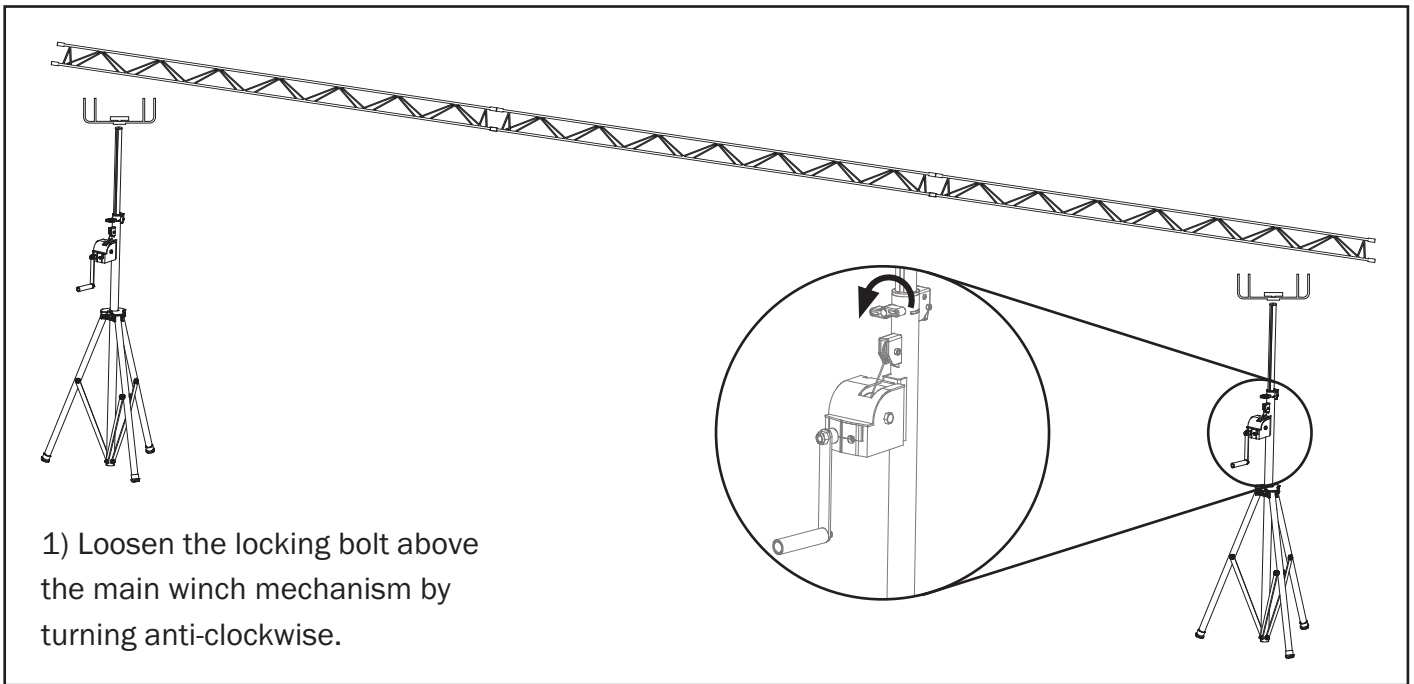
5) Secure the truss using the R-clips supplied.



6) Carefully rig lighting fixtures as required using suitable clamps and safety wires.



Do not go past the printed stopping point on the mast.
Do not use this winch stand in any way for which it was not intended.



3) To dismantle the system, follow the installation steps on page 4 in reverse order.

EQUINOX