



12 Channel 19" Dimmer Pack

.....



Order code: BOTE45

www.prolight.co.uk

USER MANUAL

.....

WARNING

**FOR YOUR OWN SAFETY, PLEASE READ THIS USER MANUAL CAREFULLY
BEFORE YOUR INITIAL START-UP!**

**CAUTION!**

**Keep this equipment away from rain,
moisture and liquids.**

**SAFETY INSTRUCTIONS**

Every person involved with the installation, operation & maintenance of this equipment should:

- Be competent
- Follow the instructions of this manual



**CAUTION! TAKE CARE USING THIS EQUIPMENT!
HIGH VOLTAGE-RISK OF ELECTRIC SHOCK!!**



Before your initial start-up, please make sure that there is no damage caused during transportation. Should there be any, consult your dealer and do not use the equipment.

To maintain the equipment in good working condition and to ensure safe operation, it is necessary for the user to follow the safety instructions and warning notes written in this manual.

Please note that damages caused by user modifications to this equipment are not subject to warranty.

IMPORTANT:

The manufacturer will not accept liability for any resulting damages caused by the non-observance of this manual or any unauthorised modification to the equipment.

- Never let the power-cable come into contact with other cables. Handle the power-cable and all mains voltage connections with particular caution!
- Never remove warning or informative labels from the equipment.
- Do not open the equipment and do not modify the equipment.
- Do not connect this equipment to a dimmer-pack.
- Do not switch the equipment on and off in short intervals, as this will reduce the system's life.
- Only use the equipment indoors.
- Do not expose to flammable sources, liquids or gases.
- Always disconnect the power from the mains when equipment is not in use or before cleaning! Only handle the power-cable by the plug. Never pull out the plug by pulling the power-cable.
- Make sure that the available voltage is between 220v/240v.
- Make sure that the power-cable is never crimped or damaged. Check the equipment and the power-cable periodically.
- If the equipment is dropped or damaged, disconnect the mains power supply immediately. Have a qualified engineer inspect the equipment before operating again.
- If the equipment has been exposed to drastic temperature fluctuation (e.g. after transportation), do not switch it on immediately. The arising condensation might damage the equipment. Leave the equipment switched off until it has reached room temperature.
- If your product fails to function correctly, discontinue use immediately. Pack the unit securely (preferably in the original packing material), and return it to your Prolight dealer for service.
- Only use fuses of same type and rating.
- Repairs, servicing and power connection must only be carried out by a qualified technician. **THIS UNIT CONTAINS NO USER SERVICEABLE PARTS.**
- **WARRANTY;** One year from date of purchase.

OPERATING DETERMINATIONS

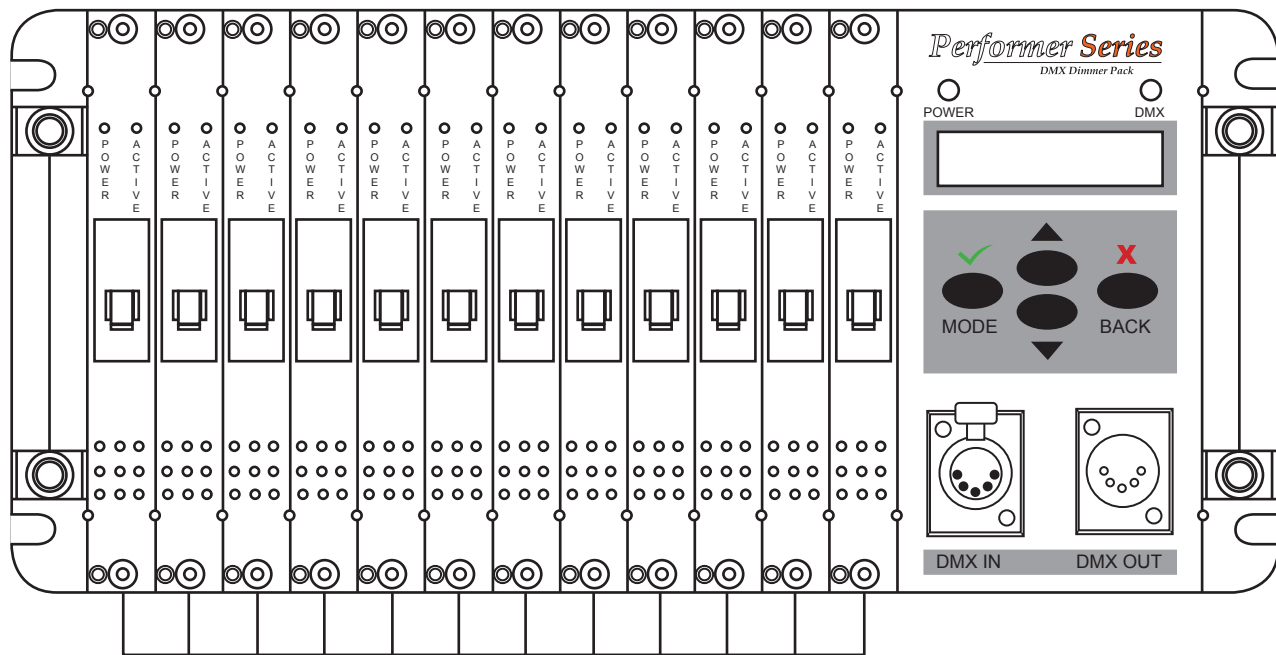
If this equipment is operated in any other way, than those described in this manual, the product may suffer damage and the warranty becomes void.

Incorrect operation may lead to danger e.g.: short-circuit, burns and electric shocks etc.

Do not endanger your own safety and the safety of others!

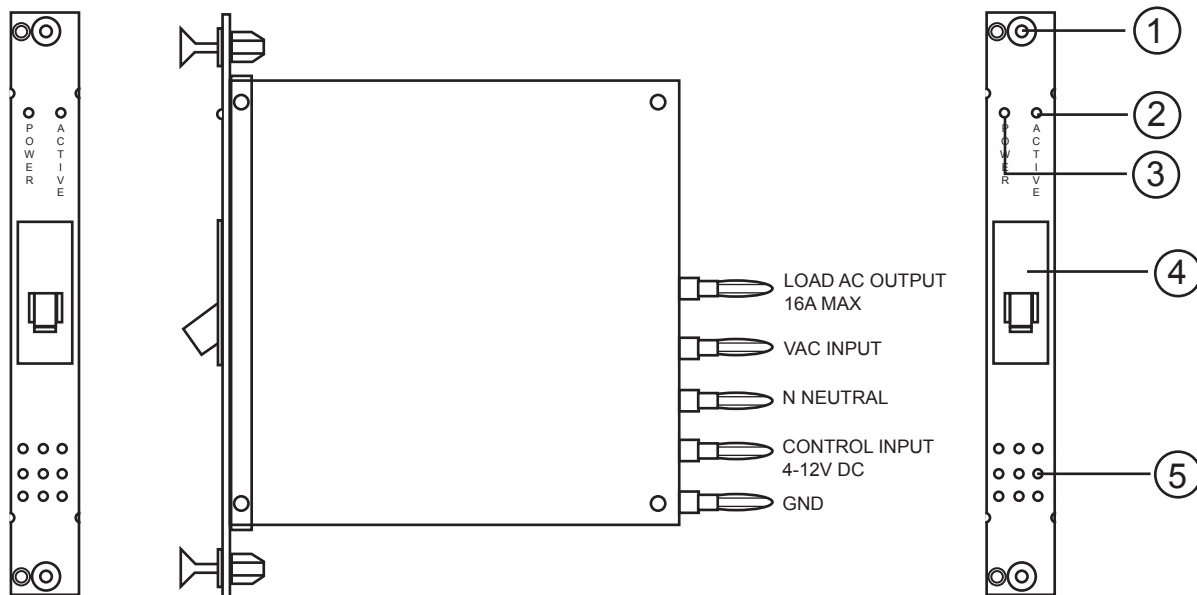
Incorrect installation or use can cause serious damage to people and property.

Overview:



12 x Dimmer module

Dimmer Module overview:



1, Module mounting holder

Pull the holder to change the module. Press to replace. The dimmer pack must be disconnected from the mains first.

2, AC Indicator

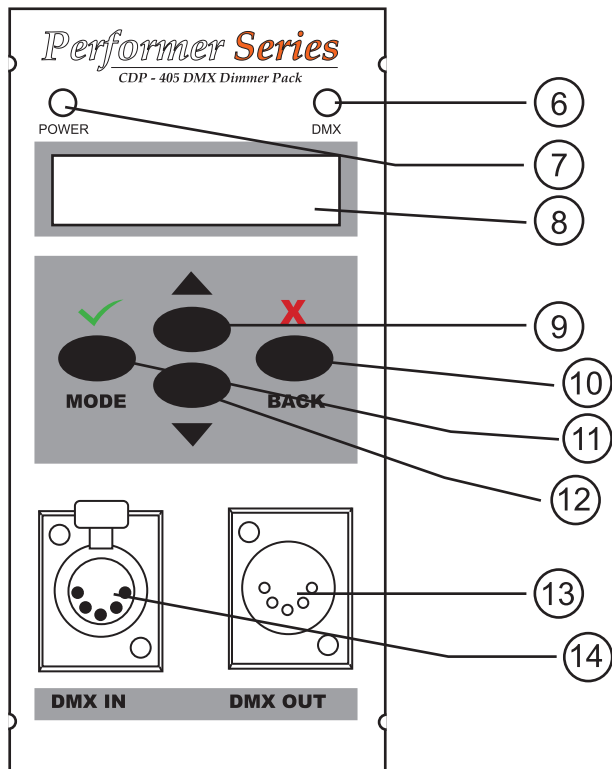
3, TRIG Indicator

4, Circuit breaker

Engages in the event of overload or short circuit.

5, Ventilation openings

Control module:



6, DMX Indicator

This Lights up when the unit is receiving a DMX signal.

7, Power Indicator

This lights up as soon as the unit is supplied with power.

8, LCD

This displays all of the menu functions and values

9, UP Button

This button is used for editing through the mode functions.

10, Mode Button

This button is used for advancing to the next mode.

11, Down Button

This button is used for editing through the mode functions.

12, Back Button

This button is used to exit from the current chosen mode

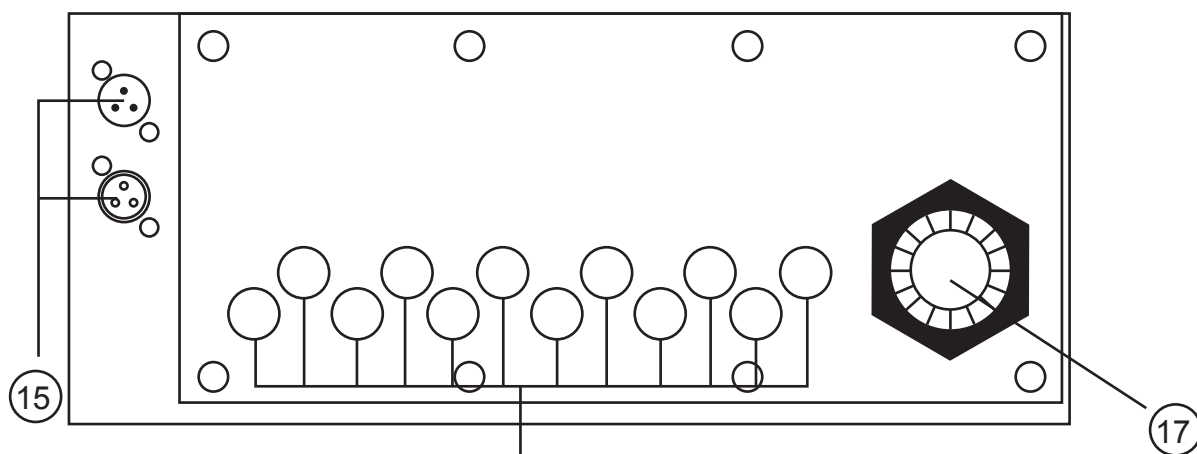
13, DMX Out Socket

This is a 3-pin XLR output socket and is used for connecting an additional dimmer pack.

14, DMX In Socket

This is a 3-pin XLR input socket and is used for connecting your DMX controller.

Rear panel:



15, DMX Connectors

You can route the DMX control signal to additional dimmer packs by using the 3-pin DMX OUT XLR connector. The 3-pin XLR input is for connecting DMX -512 control signals. You can connect your DMX controller here.

16, Outputs

Cable slot for connecting the lamps

17, Power Supply

This cable slot is used for connecting the power supply

Installation:

Install the unit on a plane surface or alternately install it in a 19" rack.

Rack Installation:

This unit is built for 19" racks (483mm). The rack you use should be a Double-Door-Rack where you can open the front panel and the rear panel. The rack should be provided with a cooling fan, When mounting the controller into the rack, please make sure that there is enough space around the unit so that the heated air can be passed on. Steady overheating will damage your unit. You can fix the controller with four screw (M6) in the rack.

Connecting the lamps:



!CAUTION!
Unplug the mains lead before connecting the lamps



Connect your loads via the connectors. The maximum load per channel is 3680W. Please note that the maximum current of 189A must never be exceeded!


Connection with the mains:



!DANGER TO LIFE!
The electric connection must only be carried out by a qualified electrician!



The occupation of the connection-cables is as follows:

Cable	Pin	International
Black	Live1	L1
Brown	Live2	L2
Grey	Live3	L3
Blue	Neutral	N
Yellow/Green	Earth	

The earth has to be connected!

If the unit will be directly connected with the local power supply network, a disconnection switch with a minimum opening of 3mm at every pole has to be included in the permanent electrical installation.

The unit must only be connected with an electric installation carried out in compliance with the IEC standards. The electric installation must be equipped with a Residual Current Device (RCD) with a maximum fault current of 30mA.

Operation:

Setting into operation:

After connecting the **12 Channel 19” Dimmer Pack** to the mains, the unit starts running. The POWER indicator lights up. “**Transcension**” and “**WELCOME TO USE**” is displayed on the **LCD** screen. During this indication, the unit is conducting a self-test and recalls previous memory records afterwards; “**Running Progxx**” or “**DMX MODE**”. If the unit receives a **DMX** signal, the **DMX** indicator lights up. You are now in the main menu.

Navigation through the menu:

In the following chapters every menu is described in detail. Please use the buttons below the LCD to navigate through the menu and for data input. The underscore on the display indicates your position in the menu.

By pressing the **UP/DOWN** buttons you can select the individual menus (**DMX Fail, DMX addr, Preheat, Max level, Curve and manual**). Enter one of the menus by pressing the **MENU** button. You are now in the corresponding sub menu. By using the **UP/DOWN** buttons you can set the parameters. The values can be increased or decreased by 1. Keep the **UP/DOWN** buttons pressed for two seconds to change the values faster. Exit the menu by pressing the **BACK** button. If there are no buttons pressed in the sub menu within 20 seconds the unit will automatically exit to the main menu.

Button	Function
MENU	Enter the menu, confirm
UP	Navigate up, data input
DOWN	Navigate down, data input
BACK	Exit the menu

DMX Fail (reaction when DMX signal fails to come):

Here you can determine the unit’s reaction when the DMX control signal transmission is interrupted.

Display	Function
DMX Fail Prog08	Selects a built-in programme (1-12), that is to run when the DMX signal transmission is interrupted. DMX signal are always prior to built-in programmes.
Speed Value=00.4S	The speed of the programmes can be set in the sub menu (00.1-20.0S)

DMX addr (addressing, DMX operating modes):

Depending on the operation mode Block or single, you can set one or several DMX addresses for an individual channel or several channels.

Display	Function	Button
DMX addr <u>B</u> lock Start addr Value=(044)	(Block) The entire dimmer operates on one DMX start address. Set an address for the first channel in the sub menu (001-512). Every next channel gates a DMX address which is one number higher.	MENU UP/DOWN BACK
DMX addr <u>S</u> ingle DMX addr CH(01) Value=(023)	(SINGLE) Set a start address in the sub menu for each of the 12 channels individually (001-512). Two or more channels can share the same address. Use the MENU button to navigate from "DMX addr CH (XX)" to "Value=(XX)".	MENU UP/DOWN BACK MENU UP/DOWN BACK

Preheat:

Here you can determine the preheat value, which is then continuously run to the unit's connected in series (e.g. theatre spots). This function results in lower start-up current requirement and prolongs the life of the illuminants. The preheat value can be assigned to all 12 channels in mode All or to each channel individually in mode Single. The preheat function cannot be used in switch mode.

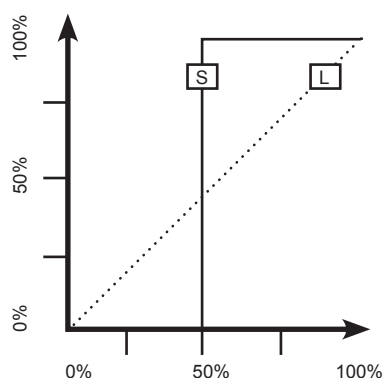
Display	Function	Button
Preheat All Value=(20%)	(ALL) Set the preheat value for all 12 channels (0-50%).	MENU UP/DOWN BACK
Preheat CH(01) Value-(023%)	(SINGLE) Set the Preheat value for each of the 12 channel individually (0-50%). Use the MENU button to navigate from "Preheat CH (XX)" to "Value=(XX)".	MENU UP/DOWN BACK MENU UP/DOWN BACK

Max Level (channel limitation)

Here you can set an upper limit for the control signal of each individual channel. The limiter function, too, prolongs the life of your illuminants. Limiting the upper range of control voltage protects from voltage oscillations and overdrive. Depending on the mode, you can set a value for all channels or for each channel individually. Max level function cannot be used in switch mode.

Display	Function	Button
Max level <u>A</u> ll	(ALL) Limits all channels to a maximum level (0-100%).	MENU UP/DOWN BACK
Max level CH(01) Value-(023%)	(SINGLE) Each channel can be preheated individually (0-100%). Use the MENU button to navigate from "Max level CH" to "Value=(XX)".	MENU UP/DOWN BACK MENU UP/DOWN BACK

Curve (transmission characteristic):



Here you can set up the transmission characteristic of your Dimmer Pack. You can determine how control voltage (fader movement on the controller) is transmitted to the units connected in series. Depending on the mode, you can adjust a curve for all channels or for each channel individually.

(L) The default mode is “liner”. Here the ratio of input value and output level is linear, i.e. when the fader on the controller is moved up or down, the light intensity of the lamp connected in series changes directly proportionate to the fader movement.

(S) When set to switch mode, the respective channel works like an electronic relay. This way, you can control fog machines, motors and other effects units (when the control voltage reaches 50% or more of a previously set value, the channel is switched on; when it falls below 50%, the channel is switched off again). The preheat and Max level functions cannot be used in switch mode.

Display	Function	Button
Curve All	(ALL) Define one curve for all channels (linear or switch)	MENU UP/DOWN BACK
Curve All Value=(linear)		
Curve CH(01) Value=(linear)	(SINGLE) Adjust transmission curves for each individual channel. (Linear or Switch). Use the MENU button to navigate from “Curve CH (XX)” to “Value=(X)”.	MENU UP/DOWN MENU UP/DOWN BACK
Curve CH(01) Value=(Switch)		

Manual (manual light control):

In manual mode, the Dimmer Pack can be used without an external controller and the channels can be adjusted manually via the buttons below the LCD screen. Depending on the mode, you can adjust a value for all channels or for each channel individually. The manual control cannot be used in DMX mode. The values set in the menu “Manual” do not affect the built-in programmes (DMX Fail function), however, they must be within the upper limit, set in the menu “Max level” (channel limitation). Contrary to the DMX mode (DMX Fail functions), the manual mode has no power failure function.

Display	Function	Button
Manual All	(ALL) Assign a value to all 12 channels (0-100%)	MENU UP/DOWN MENU UP/DOWN BACK
Manual All Value=(20%)		
Manual CH(01) Value=(23%)	(SINGLE) Assign a value to each of the 12 channels individually (0-100%). Use the MENU button to navigate from “Manual CH (XX)” to “Value=(XX)”.	MENU UP/DOWN MENU UP/DOWN MENU UP/DOWN BACK

Technical Specifications:

Power Supply.....	240V - 50Hz
Max. power output.....	43470W
Max.current.....	189A
Max output/channel.....	3680W
Max current/channel.....	20A
Number of control channels.....	12
Intergrated programmes.....	12
Fuse.....	12 x C 20A 240V
DMX output.....	3-pin female XLR socket
DMX input.....	3-pin male XLR socket

Outputs

DPMX-1216.....	Pole connectors
DPMX-1216 S.....	Safety sockets
DPMX-1216 CEE.....	CEE sockets
DPMX-1216 MP.....	16-pin sockets
Dimensions.....	482 x 485 x 176mm
Minimum mounting depth.....	500mm
Weight.....	27Kg