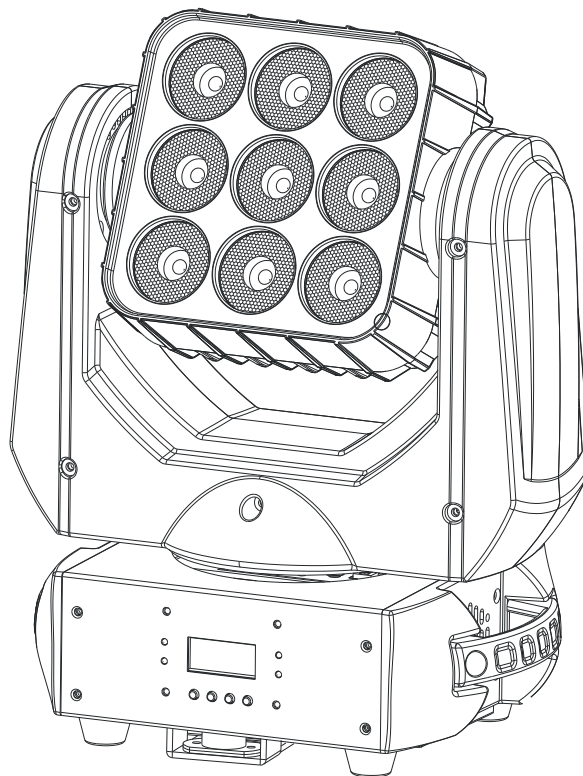


# @Lumen8



## KUDOS SENNAPIX 9



**Order code: ELUM028**

**User Manual**

[www.prolight.co.uk](http://www.prolight.co.uk)

---

## CONTENTS

1. Safety Instructions.....	2
2. Technical Specifications.....	3
3. How To Set The Unit.....	5
3.1 Control Panel.....	5
3.2 Main Functions.....	6
3.3 Home Position Adjustment .....	13
4. How To Control The Unit.....	13
4.1 Master/Slave Built In Preprogrammed Function.....	14
4.2 Easy CA-8 Controller.....	14
4.3 DMX Controller.....	15
4.4 DMX 512 Configuration.....	15
4.5 DMX 512 Connection.....	26
5. Troubleshooting .....	27
6. Fixture Cleaning.....	28

---

## 1. Safety Instructions



### WARNING

Please read this instruction carefully which include important information about installation, usage and maintenance.

Please keep this User Guide for future consultation. If you sell the unit to another user, be sure that they also receive this instruction booklet.

- Unpack and check carefully there is no transportation damage before using the unit.
- Before operating, ensure that the voltage and frequency of power supply match the power requirements of the unit.
- It's important to ground the yellow/green conductor to earth in order to avoid electric shock.
- The unit is for indoor use only. Use only in a dry location.
- The unit must be installed in a location with adequate ventilation, at least 50cm from adjacent surfaces. Be sure that no ventilation slots are blocked.
- Disconnect main power before replacement or servicing.
- Make sure there are no flammable materials close to the unit while operating as they may be a fire hazard.
- Use safety cables when installing this unit. DO NOT handle the unit by taking its head only. Always carry with its base.
- Maximum ambient temperature is  $T_a$ : 40 degrees C. DO NOT operate it where the temperature is higher than this.
- Turn off the power and allow about 15 minutes for the unit to cool down before replacing or servicing.
- In the event of a serious operating problem, stop using the unit immediately. Never try to repair the unit by yourself. Repairs carried out by unskilled people can lead to damage or malfunction. Please contact your nearest authorized technical assistance center. Always use the same type spare parts.
- DO NOT touch any power cables during operation as high voltage may cause electric shock.

---

## **Warning:**

- To prevent or reduce the risk of electrical shock or fire, do not expose the unit to rain or moisture.
- The housing and lenses must be replaced if they are visibly damaged.

## **Installation:**

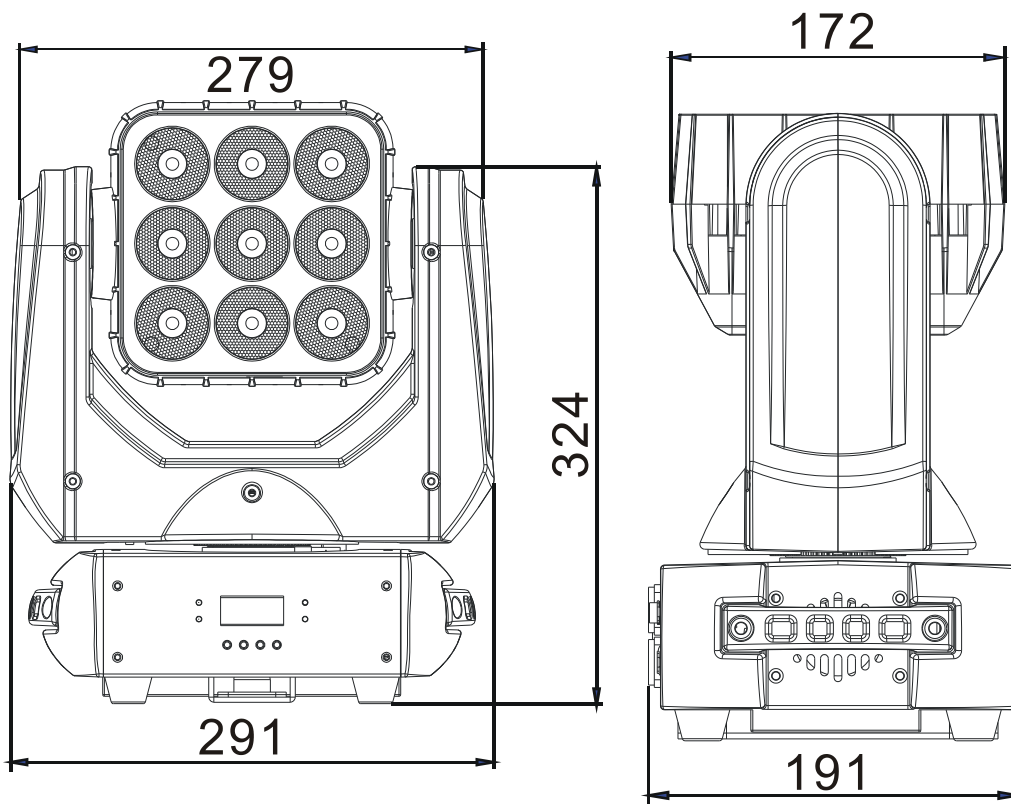
The unit should be mounted via its Omega Quick Release Clamp bracket. Always ensure that the unit is firmly fixed to avoid vibration and slipping while operating. Make sure that the structure to which you are attaching the unit is secure and is able to support a weight of 10 times of the fixtures weight. Also always use a safety cable that can hold 12 times of the weight of the unit when installing the fixture.

The equipment must be installed by professionals. It must be installed in a place where is out of the reach of people and no one can pass by or under it.

## **2. Technical Specifications**

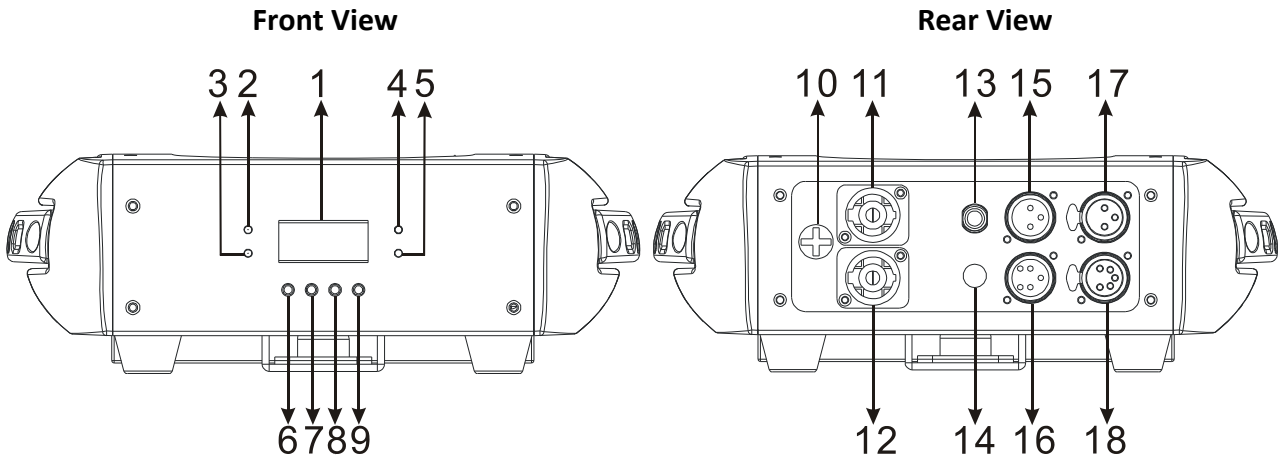
- Pan/Tilt: 540°/270°
- 3 operation modes: DMX, Master/Slave, Sound Active
- DMX channel modes: 1/9/16/19/48 channels
- Pixel mapping capabilities
- 0~100% dimming
- Variable strobe effects
- LCD Display for easy navigation

- **Input Voltage:** AC 100V~240V, 50/60Hz
- **Power Consumption:** 149W
- **Light Source:** 9 x 10W CREE XM-L RGBW LED
- **Beam Angle:** 10°
- **Power Cable Daisy Chains:** 8 Fixtures Max. (230V, 50Hz)  
4 Fixtures Max. (120V, 60Hz)
- **Weight:** 7.5Kgs
- **Dimension:** 291 x 191 x 324mm



### 3. How To Set The Unit

#### 3.1 Control Panel



#### 1. Function Display:

To show the various menus and the selected functions

#### LED:

<b>2. DMX</b>	On	DMX input present
<b>3. MASTER</b>	On	Master Mode
<b>4. SLAVE</b>	On	Slave Mode
<b>5. SOUND</b>	Flashing	Sound activation

#### Button:

<b>6. MENU</b>	To select the programming functions
<b>7. ▼ DOWN</b>	To go backward in the selected functions
<b>8. ▲ UP</b>	To go forward in the selected functions
<b>9. ENTER</b>	To confirm the selected functions

#### 10. Fuse (T 6.3A):

Protects the unit from over-voltage or short circuit

#### 11. MAINS IN:

PowerCon connection from main power supply

#### 12. MAINS OUT:

PowerCon loop connection for main power supply to the next unit

#### 13. Only for remote control:

Connects to optional CA-8 remote control

---

**14. Microphone:**

Receives music signals for sound active mode

**15. DMX IN:**

DMX 512 input from the DMX controller or previous unit

**16. DMX IN:**

DMX 512 input from the DMX controller or previous unit

**17. DMX OUT:**

DMX512 output to link the unit to other units

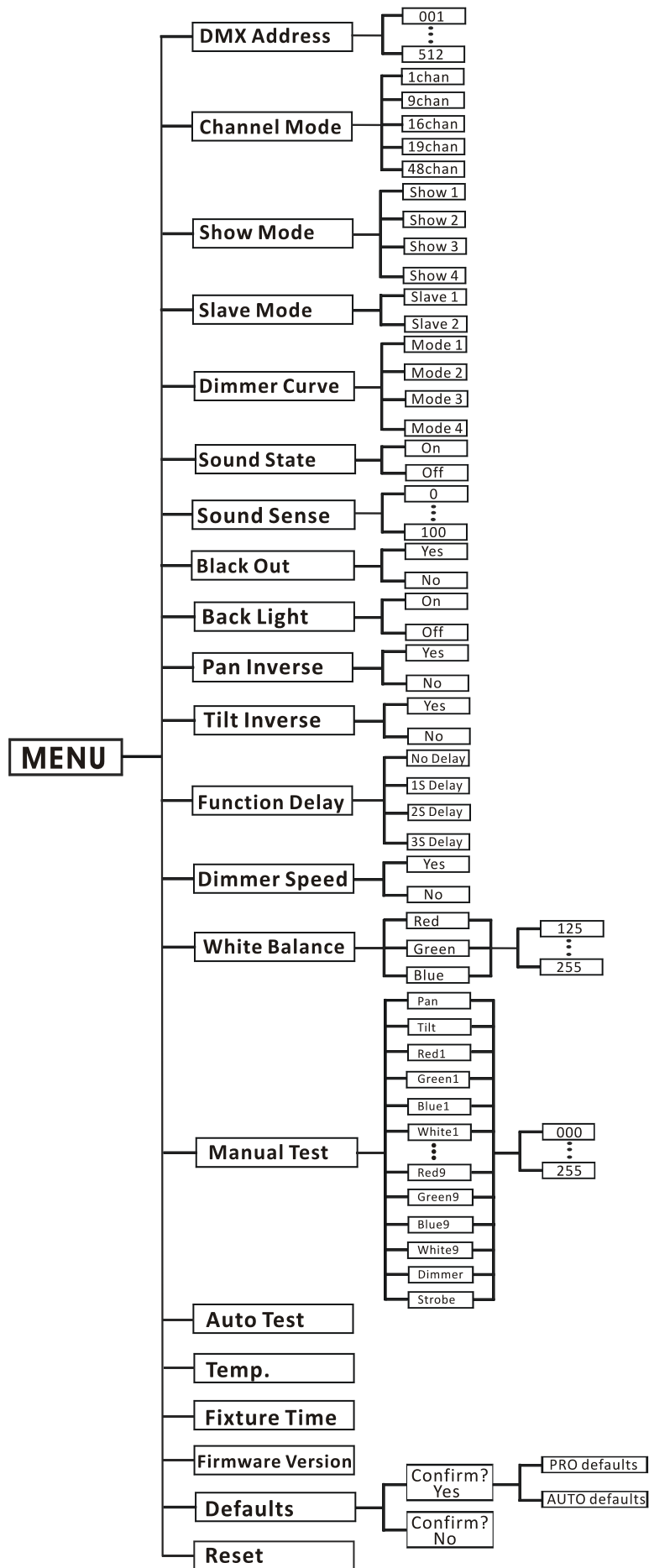
**18. DMX OUT:**

DMX512 output to link the unit to other units

## **3.2 Main Functions**

To select any of the given functions, press the **MENU** button up to the required selection as shown on the display. Select the function by pressing the **ENTER** button and the display will blink. Use the **DOWN/UP** buttons to change the mode. Once the required mode has been selected, press the **ENTER** button to confirm. To go back to the functions without any changes press the **MENU** button again. Press and hold the **MENU** button for one second or wait for one minute to exit the menu mode.

The main functions are shown Overleaf:





---

## **DMX Address**

To select **DMX Address**, press the **ENTER** button to show **DMX ADDRESS** on the display. Use the **UP/DOWN** buttons to adjust the address from **001** to **512**. Once the address has been selected press the **ENTER** button to setup. To go back to the functions without any changes press the **MENU** button again. Press and hold the **MENU** button for one second or wait for one minute to exit the menu mode.

## **Channel Mode**

To select **Channel Mode**, press the **ENTER** button to show **CHANNEL MODE** on the display. Use the **DOWN/UP** buttons to select the **1Chan**, **9Chan**, **16Chan**, **19Chan** or **48Chan** Mode. Once the mode has been selected press the **ENTER** button to setup. To go back to the functions without any changes press the **MENU** button again. Press and hold the **MENU** button for one second or wait for one minute to exit the menu mode.

## **Show Mode**

To select **Show Mode**, press the **ENTER** button to show **SHOW MODE** on the display. Use the **DOWN/UP** buttons to select **Show 1** or **Show 2** or **Show 3** or **Show 4** Mode. Once the mode has been selected press the **ENTER** button to setup. To go back to the functions without any changes press the **MENU** button again. Press and hold the **MENU** button for one second or wait for one minute to exit the menu mode.

## **Slave Mode**

To select **Slave Mode**, press the **ENTER** button to show **SLAVE MODE** on the display. Use the **DOWN/UP** buttons to select **Slave 1** (normal) or **Slave 2** (2 light show) mode. Once the mode has been selected press the **ENTER** button to setup. To go back to the functions without any changes press the **MENU** button again. Press and hold the **MENU** button for one second or wait for one minute to exit the menu mode.

---

## Dimmer Curve

To select **Dimmer Curve**, press the **ENTER** button to show **DIMMER CURVE** on the display. Use the **DOWN/UP** buttons to select **Mode1** or **Mode 2** or **Mode 3** or **Mode 4**. Once the mode has been selected press the **ENTER** button to setup. To go back to the functions without any changes press the **MENU** button again. Press and hold the **MENU** button for one second or wait for one minute to exit the menu mode.

### Mode 1(Optically Linear):

The increase in light intensity appears to be linear as the DMX value is increased.

### Mode 2(Square Law):

Light intensity control is finer at low levels and coarser at high levels.

### Mode 3(Inverse Square Law):

Light intensity control is coarser at low levels and finer at high levels.

### Mode 4(S-curve):

Light intensity control is finer at low levels and high levels and coarser at medium levels.

## Sound State

To select **Sound State**, press the **ENTER** button to show **SOUND STATE** on the display. Use the **DOWN/UP** buttons to select the **On** (sound on) or **Off** (sound off) mode. Once the mode has been selected press the **ENTER** button to setup. To go back to the functions without any changes press the **MENU** button again. Press and hold the **MENU** button for one second or wait for one minute to exit the menu mode.

## Sound Sense (Sensitivity)

To select **Sound Sense**, press the **ENTER** button to show **SOUND SENSE** on the display. Use the **DOWN/UP** buttons to adjust the value from **0** to **100**. Once the mode has been selected press the **ENTER** button to setup. To go back to the functions without any changes press the **MENU** button again. Press and hold the **MENU** button for one second or wait for one minute to exit the menu mode.

---

## **Black Out**

To select **Black Out**, press the **ENTER** button to show **BLACK OUT** on the display. Use the **DOWN/UP** buttons to select **Yes** (blackout) or **No** (normal). Once selected press the **ENTER** button to setup. To go back to the functions without any changes press the **MENU** button again. Press and hold the **MENU** button for one second or wait for one minute to exit the menu mode.

## **Back Light**

To select **Back Light**, press the **ENTER** button to show **BACK LIGHT** on the display. Use the **DOWN/UP** buttons to select **On** (LED display always on) or **Off** (LED display off when not in use). Once selected press the **ENTER** button to setup. To go back to the functions without any changes press the **MENU** button again. Press and hold the **MENU** button for one second or wait for one minute to exit the menu mode.

## **Pan Inverse**

To select **Pan Inverse**, press the **ENTER** button to show **PAN INVERSE** on the display. Use the **DOWN/UP** buttons to select **Yes** (pan inversion) or **No** (normal) mode. Once the mode has been selected press the **ENTER** button to setup. To go back to the functions without any changes press the **MENU** button again. Press and hold the **MENU** button for one second or wait for one minute to exit the menu mode.

## **Tilt Inverse**

To select **Tilt Inverse**, press the **ENTER** button to show **TILT INVERSE** on the display. Use the **DOWN/UP** buttons to select the **Yes** (tilt inversion) or **No**(normal) mode. Once the mode has been selected press the **ENTER** button to setup. To go back to the functions without any changes press the **MENU** button again. Press and hold the **MENU** button for one second or wait for one minute to exit the menu mode.

---

## Function Delay

To select the **Function Delay**, press the **ENTER** button to show **FUNCTION DELAY** on the display. Use the **DOWN/UP** buttons to select the **No Delay** or **1S Delay**, **2S Delay**, **3S Delay** (wait for 3 seconds before these functions of 9/16/19/48CH are activated/deactivated). Once selected press the **ENTER** button to setup. To go back to the functions without any changes press the **MENU** button again. Press and hold the **MENU** button for one second or wait for one minute to exit the menu mode.

## Dimmer Speed

To select **Dimmer Speed**, press the **ENTER** button to show **DIMMER SPEED** on the display. Use the **DOWN/UP** buttons to select **Yes** (the dimming function will take effect after 1 second) or **No** (normal) mode. Once the mode has been selected press the **ENTER** button to setup. To go back to the functions without any changes press the **MENU** button again. Press and hold the **MENU** button for one second or wait for one minute to exit the menu mode.

## White Balance

To select **White Balance**, press the **ENTER** button to show **WHITE BALANCE** on the display. Use the **DOWN/UP** buttons to select the **Red** or **Green** or **Blue**. Once you find the colour you want to adjust press the **ENTER** button and use the **DOWN/UP** buttons to adjust the value (125~255). Once selected press the **ENTER** button to setup. To go back to the functions without any changes press the **MENU** button again. Press and hold the **MENU** button for one second or wait for one minute to exit the menu mode.

## Manual Test

To select **Manual Test**, press the **ENTER** button to show **MANUAL TEST** on the display. Use the **DOWN/UP** buttons to select the **Pan/Tilt/Red1/Green1/Blue1/White1/...Red9/Green9/Blue9/White9/Dimmer** or **Strobe**. Once the function or colour has been selected press the **ENTER** button to setup, use the **DOWN** and **UP** buttons to change the value (0~255). Once the mode has been selected press the **ENTER** button to setup. To go back to the functions without any changes press the **MENU** button again. Press and hold the **MENU** button for one second or wait for one minute to exit the menu mode.

---

## Auto Test

To select **Auto Test**, press the **ENTER** button and the unit will run a self-test with its built-in programs. To go back to the functions press the **MENU** button again. Press and hold the **MENU** button for one second or wait for one minute to exit the menu mode.

## Temperature

To select **Temp.**, press the **ENTER** button and the display will show the current temperature of the unit. When the temperature is under 60°, the fixture will work normally; when it's between 65° and 75°, the fixture will reduce the LED output; when it reaches 75° or higher, the LED will switch OFF. To go back to the functions press the **MENU** button again. Press and hold the **MENU** button for one second or wait for one minute to exit the menu mode.

## Fixture Time

To select **Fixture Time**, press the **ENTER** button and the display will show the number of working hours of the unit. To go back to the functions press the **MENU** button again. Press and hold the **MENU** button for one second or wait for one minute to exit the menu mode.

## Firmware Version

To select **Firmware Version**, press the **ENTER** button and the display will show the version of software inside the unit. To go back to the functions press the **MENU** button again. Press and hold the **MENU** button for one second or wait for one minute to exit the menu mode.

## Defaults

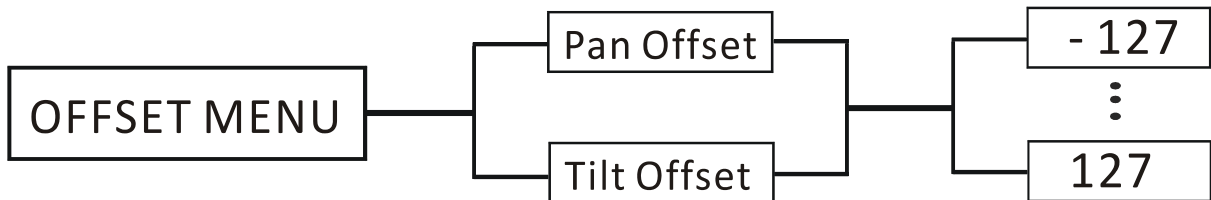
To select **Defaults**, press the **ENTER** button to show **DEFAULTS** on the display. Use the **DOWN/UP** buttons to select the **Confirm? Yes** or **Confirm? No**. If you select **Confirm? Yes**, and press the **ENTER** button you can then use the **DOWN/UP** buttons to select the **PRO defaults** (run built-in program to set the fixture to PRO Defaults settings) or **AUTO defaults**. Press the **ENTER** button to setup. To go back to the functions without any changes press the **MENU** button again. Press and hold the **MENU** button for one second or wait for one minute to exit the menu mode.

---

## Reset

To select **Reset**, press the **ENTER** button and all channels of the unit will return to their standard position.

### 3.3 Home Position Adjustment



In the main functions, hold the **ENTER** button for at least 3 seconds to go into offset mode, use the **DOWN/UP** buttons up to select the **Pan Offset** or **Tilt Offset**, and press the **ENTER** button to confirm. Then use the **DOWN/UP** buttons to adjust the home position (-127 ~ 127) of the Pan or Tilt. Once the position has been selected, press the **ENTER** button to setup. To go back to the functions without any changes press the **MENU** button again. Press and hold the **MENU** button for one second or wait for one minute to exit the menu mode.

## 4. How To Control The Unit

You can operate the unit in three ways:

1. Master/slave built-in preprogram function
2. Easy controller (optional CA-8)
3. Universal DMX controller

You do not need to turn the unit off when you change the DMX address, the new DMX address setting will take effect immediately. Every time you power the unit on, it will move all the motors to their 'home' position and you may hear some movement noises for about 20 seconds. After that the unit will be ready to receive a DMX signal or run the built in programs.

## 4.1 Master/Slave Built In Preprogrammed Function

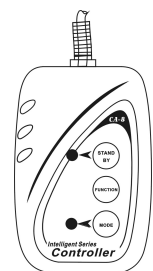
By linking the units in master/slave connection the first unit will control the other units to give an automatic, sound activated, synchronized light show. This function is good when you want an instant show. You have to set the first unit in master mode **Show Mode** and select **show 1** or **show 2** or **show 3** or **show 4**. The DMX input socket should have nothing plugged into it and the master LED will be constantly on and sound LED will flash to the music. The other units will have to be set in **slave mode** and select **Slave 1** (normal) or **Slave 2** (2 light show) mode. The units should be linked with DMX cables plugged from the units DMX output to the next units DMX input socket (daisy chain) and the slave LED will be constantly on.

### 2-light show

In **slave mode**, **Slave 1** means the unit works normally and **Slave 2** means 2-light show. In order to create a great light show, you can set **Slave 2** on the second unit to get contrast movement to each other even if you only have two units.

## 4.2 Easy Controller

The CA-8 easy remote control is used only in master/slave mode. By connecting to the 1/4" jack socket of the first unit, you will find that the remote controller on the first unit will control all the other units in Stand by, and Mode selection.



Stand By	Blackout the unit		
Function	1. Sync. Strobe 2. Two-light strobe 3. Sound Strobe	Select show 1-4	1. Hold to change Master Pan position 2. Hold to change Master Tilt position 3. Hold to change Master Dimmer 4. Hold to change Slave Pan position 5. Hold to change Slave Tilt position 6. Hold to change Slave Dimmer
Mode	Sound (LED OFF)	Show (LED ON)	LED fast blinking

### 4.3 DMX Controller

By using a universal DMX controller to control the units, you will need to set DMX address from 1 to 512 so that the units can receive a DMX signal.

Press the **MENU** button up to where the **DMX Address** is showing on the display. Press the **ENTER** button and the display will blink. Use the **DOWN/UP** buttons to change the DMX 512 address. Once the address has been selected, press the **ENTER** button to setup. To go back to the functions without any changes press the **MENU** button again. Hold and press the **MENU** button for one second or wait for one minute to exit the menu mode.

Please refer to the following diagram to set the DMX address for the first 4 units:

Channel mode	Unit 1 Address	Unit 2 Address	Unit 3 Address	Unit 4 Address
1 channel	1	2	3	4
9 channels	1	10	19	28
16 channels	1	17	33	49
19 channels	1	20	39	58
48 channels	1	49	97	145

### 4.4 DMX 512 Configuration

**1 CH MODE (MODE 1):**

CHANNEL	VALUE	FUNCTION
<b>1</b>	0 - 7	<b>SHOW</b> Blackout
	8 - 67	Show 1
	68 - 127	Show 2
	128 - 187	Show 3
	188 - 247	Show 4
	248 - 255	Random Show



**9 CH MODE (MODE 2):**

<b>CHANNEL</b>	<b>VALUE</b>	<b>FUNCTION</b>
<b>1</b>	0 - 255	<b>PAN</b> 0° → 540°
<b>2</b>	0 - 255	<b>TILT</b> 0° → 270°
<b>3</b>	0 - 15 16 - 131 132 - 139 140 - 181 182 - 189 190 - 231 232 - 239 240 - 247 248 - 255	<b>STROBE</b> Open Strobe: slow → fast Open Slow open, Fast close Open Slow close, Fast open Open Random strobe Open
<b>4</b>	0 - 255	<b>RED</b> 0% → 100%
<b>5</b>	0 - 255	<b>GREEN</b> 0% → 100%
<b>6</b>	0 - 255	<b>BLUE</b> 0% → 100%
<b>7</b>	0 - 255	<b>WHITE</b> 0% → 100%
<b>8</b>	0 - 255	<b>DIMMER</b> 0% → 100%
<b>9</b>	0 - 69 70 - 79 80 - 89 90 - 199 200 - 209 210 - 239 240 - 255	<b>SPECIAL FUNCTIONS</b> No function Enable blackout while P/T moving Disable blackout while P/T moving No function Reset all No function Stand alone

**16 CH MODE (MODE 3):**

<b>CHANNEL</b>	<b>VALUE</b>	<b>FUNCTION</b>
<b>1</b>	0 - 255	<b>PAN</b> 0° → 540°
<b>2</b>	0 - 255	<b>PAN FINE</b>
<b>3</b>	0 - 255	<b>TILT</b> 0° → 270°
<b>4</b>	0 - 255	<b>TILT FINE</b>
<b>5</b>	0 - 255	<b>P/T SPEED</b> fast → slow
<b>6</b>	0 - 15 16 - 35 36 - 55 56 - 75 76 - 95 96 - 115 116 - 135 136 - 155 156 - 175 176 - 195 196 - 215 216 - 235 236 - 255	<b>P/T MACRO</b> No effect Macro 1 Macro 2 Macro 3 Macro 4 Macro 5 Macro 6 Macro 7 Macro 8 Macro 9 Macro 10 Macro 11 Macro 12
<b>7</b>	0 - 255	<b>P/T MACRO SPEED</b> fast → slow
<b>8</b>	0 - 69 70 - 79 80 - 89 90 - 199 200 - 209 210 - 239 240 - 255	<b>SPECIAL FUNCTIONS</b> No function Enable blackout while P/T moving Disable blackout while P/T moving No function Reset all No function Stand alone
<b>9</b>	0 - 255	<b>DIMMER</b> 0% → 100%
<b>10</b>	0 - 15 16 - 131 132 - 139 140 - 181	<b>STROBE</b> Open Strobe: slow → fast Open Slow open, Fast close

	182 - 189 190 - 231 232 - 239 240 - 247 248 - 255	Open Slow close, Fast open Open Random strobe Open
<b>11</b>	0 - 255	<b>RED</b> 0% → 100%
<b>12</b>	0 - 255	<b>GREEN</b> 0% → 100%
<b>13</b>	0 - 255	<b>BLUE</b> 0% → 100%
<b>14</b>	0 - 255	<b>WHITE</b> 0% → 100%
<b>15</b>	0 - 7 8 - 11 12 - 15 16 - 19 20 - 22 23 - 26 27 - 30 31 - 34 35 - 37 38 - 41 42 - 45 46 - 48 49 - 52 53 - 56 57 - 60 61 - 63 64 - 67 68 - 71 72 - 75 76 - 78 79 - 82 83 - 86 87 - 89 90 - 93 94 - 97 98 - 101 102 - 104 105 - 108 109 - 112	<b>COLOR MACRO</b> Normal Colour 1 Colour 2 Colour 3 Colour 4 Colour 5 Colour 6 Colour 7 Colour 8 Colour 9 Colour 10 Colour 11 Colour 12 Colour 13 Colour 14 Colour 15 Colour 16 Colour 17 Colour 18 Colour 19 Colour 20 Colour 21 Colour 22 Colour 23 Colour 24 Colour 25 Colour 26 Colour 27 Colour 28

	113 - 115	Colour 29
	116 - 119	Colour 30
	120 - 123	Colour 31
	124-127	Colour 32
		<b>Color Macro</b>
	128 - 131	Macro 1
	132 - 135	Macro 2
	136 - 139	Macro 3
	140 - 143	Macro 4
	144 - 147	Macro 5
	148 - 151	Macro 6
	152 - 155	Macro 7
	156 - 159	Macro 8
	160 - 163	Macro 9
	164 - 167	Macro 10
	168 - 171	Macro 11
	172 - 175	Macro 12
	176 - 179	Macro 13
	180 - 183	Macro 14
	184 - 187	Macro 15
	188 - 191	Macro 16
		<b>Color Fade</b>
	192 - 195	Fade 1
	196 - 199	Fade 2
	200 - 203	Fade 3
	204 - 207	Fade 4
	208 - 211	Fade 5
	212 - 215	Fade 6
	216 - 219	Fade 7
	220 - 223	Fade 8
	224 - 227	Fade 9
	228 - 231	Fade 10
	232 - 235	Fade 11
	236 - 239	Fade 12
	240 - 243	Fade 13
	244 - 247	Fade 14
	248 - 251	Fade 15
	252 - 255	Fade 16
<b>16</b>	0 - 255	<b>COLOUR MACRO SPEED</b> fast → slow

**19 CH MODE (MODE 4):**

<b>CHANNEL</b>	<b>VALUE</b>	<b>FUNCTION</b>
<b>1</b>	0 - 255	<b>PAN</b> 0° → 540°
<b>2</b>	0 - 255	<b>PAN FINE</b>
<b>3</b>	0 - 255	<b>TILT</b> 0° → 270°
<b>4</b>	0 - 255	<b>TILT FINE</b>
<b>5</b>	0 - 255	<b>P/T SPEED</b> fast → slow
<b>6</b>	0 - 15 16 - 35 36 - 55 56 - 75 76 - 95 96 - 115 116 - 135 136 - 155 156 - 175 176 - 195 196 - 215 216 - 235 236 - 255	<b>P/T MACRO</b> No effect Macro 1 Macro 2 Macro 3 Macro 4 Macro 5 Macro 6 Macro 7 Macro 8 Macro 9 Macro 10 Macro 11 Macro 12
<b>7</b>	0 - 255	<b>P/T MACRO SPEED</b> fast → slow
<b>8</b>	0 - 69 70 - 79 80 - 89 90 - 199 200 - 209 210 - 239 240 - 255	<b>SPECIAL FUNCTIONS</b> No function Enable blackout while P/T moving Disable blackout while P/T moving No function Reset all No function Stand alone
<b>9</b>	0 - 255	<b>DIMMER</b> 0% → 100%
<b>10</b>	0 - 15 16 - 131 132 - 139 140 - 181	<b>STROBE</b> Open Strobe: slow → fast Open Slow open, Fast close

	182 - 189 190 - 231 232 - 239 240 - 247 248 - 255	Open Slow close, Fast open Open Random strobe Open
<b>11 ~ 19</b>	0 - 7 8 - 14 15 - 23 24 - 31 32 - 39 40 - 47 48 - 55 56 - 63 64 - 71 72 - 79 80 - 87 88 - 95 96 - 103 104 - 111 112 - 119 120 - 127 128 - 135 136 - 143 144 - 151 152 - 159 160 - 167 168 - 175 176 - 183 184 - 191 192 - 199 200 - 207 208 - 215 216 - 223 224 - 231 232 - 239 240 - 247 248 - 254 255	<b>LED 1 ~ 9 COLOR</b> Open Colour 1 Colour 2 Colour 3 Colour 4 Colour 5 Colour 6 Colour 7 Colour 8 Colour 9 Colour 10 Colour 11 Colour 12 Colour 13 Colour 14 Colour 15 Colour 16 Colour 17 Colour 18 Colour 19 Colour 20 Colour 21 Colour 22 Colour 23 Colour 24 Colour 25 Colour 26 Colour 27 Colour 28 Colour 29 Colour 30 Colour 31 Full On

**48 CH MODE (MODE 5):**

<b>CHANNEL</b>	<b>VALUE</b>	<b>FUNCTION</b>
<b>1</b>	0 - 255	<b>PAN</b> 0° → 540°
<b>2</b>	0 - 255	<b>PAN FINE</b>
<b>3</b>	0 - 255	<b>TILT</b> 0° → 270°
<b>4</b>	0 - 255	<b>TILT FINE</b>
<b>5</b>	0 - 255	<b>P/T SPEED</b> fast → slow
<b>6</b>	0 - 15 16 - 35 36 - 55 56 - 75 76 - 95 96 - 115 116 - 135 136 - 155 156 - 175 176 - 195 196 - 215 216 - 235 236 - 255	<b>P/T MACRO</b> No effect Macro 1 Macro 2 Macro 3 Macro 4 Macro 5 Macro 6 Macro 7 Macro 8 Macro 9 Macro 10 Macro 11 Macro 12
<b>7</b>	0 - 255	<b>P/T MACRO SPEED</b> fast → slow
<b>8</b>	0 - 69 70 - 79 80 - 89 90 - 199 200 - 209 210 - 239 240 - 255	<b>SPECIAL FUNCTIONS</b> No function Enable blackout while P/T moving Disable blackout while P/T moving No function Reset all No function Stand alone
<b>9</b>	0 - 255	<b>DIMMER</b> 0% → 100%
<b>10</b>	0 - 15 16 - 131 132 - 139 140 - 181	<b>STROBE</b> Open Strobe: slow → fast Open Slow open, Fast close

	182 - 189 190 - 231 232 - 239 240 - 247 248 - 255	Open Slow close, Fast open Open Random strobe Open
<b>11</b>	0 - 255	<b>LED 1 RED</b> 0% → 100%
<b>12</b>	0 - 255	<b>LED 1 GREEN</b> 0% → 100%
<b>13</b>	0 - 255	<b>LED 1 BLUE</b> 0% → 100%
<b>14</b>	0 - 255	<b>LED 1 WHITE</b> 0% → 100%
<b>15</b>	0 - 255	<b>LED 2 RED</b> 0% → 100%
<b>16</b>	0 - 255	<b>LED 2 GREEN</b> 0% → 100%
...	...	...
<b>41</b>	0 - 255	<b>LED 8 BLUE</b> 0% → 100%
<b>42</b>	0 - 255	<b>LED 8 WHITE</b> 0% → 100%
<b>43</b>	0 - 255	<b>LED 9 RED</b> 0% → 100%
<b>44</b>	0 - 255	<b>LED 9 GREEN</b> 0% → 100%
<b>45</b>	0 - 255	<b>LED 9 BLUE</b> 0% → 100%
<b>46</b>	0 - 255	<b>LED 9 WHITE</b> 0% → 100%
<b>47</b>	0 - 7 8 - 11 12 - 15 16 - 19 20 - 22 23 - 26 27 - 30 31 - 34 35 - 37 38 - 41 42 - 45	<b>COLOUR MACRO</b> Normal Colour 1 Colour 2 Colour 3 Colour 4 Colour 5 Colour 6 Colour 7 Colour 8 Colour 9 Colour 10

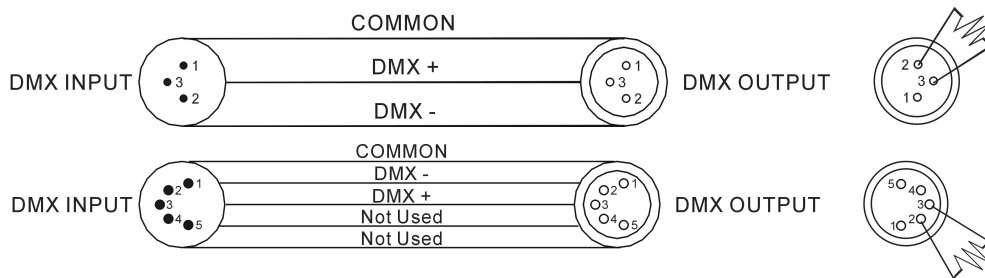
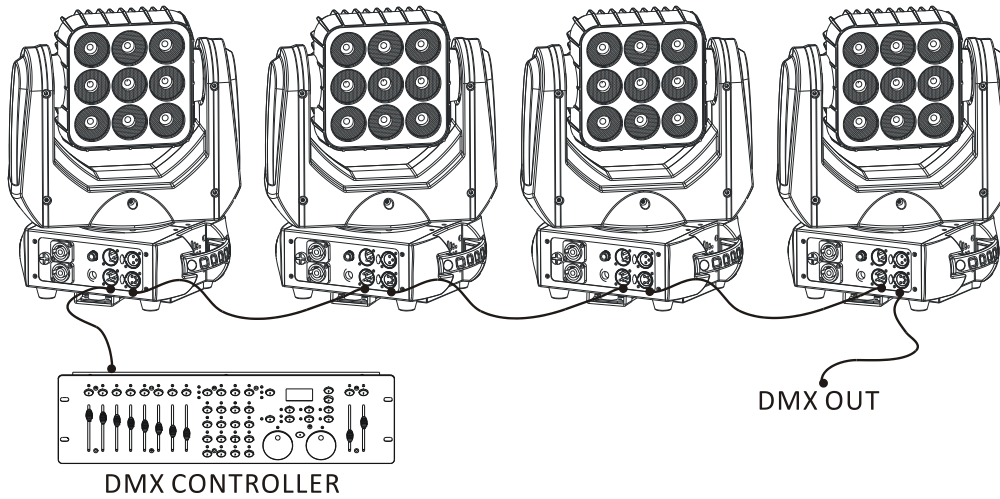


	46 - 48	Colour 11
	49 - 52	Colour 12
	53 - 56	Colour 13
	57 - 60	Colour 14
	61 - 63	Colour 15
	64 - 67	Colour 16
	68 - 71	Colour 17
	72 - 75	Colour 18
	76 - 78	Colour 19
	79 - 82	Colour 20
	83 - 86	Colour 21
	87 - 89	Colour 22
	90 - 93	Colour 23
	94 - 97	Colour 24
	98 - 101	Colour 25
	102 - 104	Colour 26
	105 - 108	Colour 27
	109 - 112	Colour 28
	113 - 115	Colour 29
	116 - 119	Colour 30
	120 - 123	Colour 31
	124-127	Full On
		<b>Colour Macro</b>
	128 - 131	Macro 1
	132 - 135	Macro 2
	136 - 139	Macro 3
	140 - 143	Macro 4
	144 - 147	Macro 5
	148 - 151	Macro 6
	152 - 155	Macro 7
	156 - 159	Macro 8
	160 - 163	Macro 9
	164 - 167	Macro 10
	168 - 171	Macro 11
	172 - 175	Macro 12
	176 - 179	Macro 13
	180 - 183	Macro 14
	184 - 187	Macro 15
	188 - 191	Macro 16
		<b>Colour Fade</b>
	192 - 195	Fade 1
	196 - 199	Fade 2
	200 - 203	Fade 3
	204 - 207	Fade 4

	208 - 211 212 - 215 216 - 219 220 - 223 224 - 227 228 - 231 232 - 235 236 - 239 240 - 243 244 - 247 248 - 251 252 - 255	Fade 5 Fade 6 Fade 7 Fade 8 Fade 9 Fade 10 Fade 11 Fade 12 Fade 13 Fade 14 Fade 15 Fade 16
<b>48</b>	0 - 255	<b>COLOUR MACRO SPEED</b> fast → slow

## 4.5 DMX 512 Connection

The DMX 512 is widely used in intelligent lighting control, with a maximum of 512 channels.



### ATTENTION

Termination reduces signal errors and to avoid signal transmission problems and interference. It is always advisable to connect a DMX terminal (Resistance 120 ohm 1/4W between pin2 (DMX-) and pin3 (DMX+) of the last fixture).

1. The last units DMX cable has to be terminated with a 120 ohm 1/4W resistor between pin 2(DMX-) and pin 3(DMX+) of a 3-pin or 5-pin XLR-plug and plug it in the DMX-output of the last unit.
2. Connect the units together in a `daisy chain` with XLR cables from the output of the unit to the input of the next unit. The cable can not branched or split to a `Y` cable.
3. The DMX output and input connectors are a pass-through type to maintain the DMX circuit even when one of the units' power is disconnected.
4. Each fixture unit needs to have an address set to receive the data sent by the controller. The address number is between 0-511.

---

5. 3 pin/ 5pin XLR wiring configuration.

3 pin XLR: Pin 1: GND, Pin 2: Negative signal (-), Pin 3: Positive signal (+)

5 pin XLR: Pin 1: GND, Pin 2: Negative signal (-), Pin 3: Positive signal (+),

Pin 4/Pin 5: Not used.

## **5. Troubleshooting**

**Following are a few common problems that may occur during operation. Here are some suggestions for easy troubleshooting:**

### **A. The unit does not work, no light and the fan does not work**

1. Check the connection of power and the main fuse.

### **B. Not responding to DMX controller**

1. DMX LED should be on. If not, check DMX cables to see if linked correctly.

2. If the DMX LED is on and no response to the controller, check the address settings and DMX polarity.

### **C. Some units don't respond to the easy controller**

1. You may have a break in the DMX cabling. Check the LED for the response of the master/slave mode signal.

2. Wrong DMX address in the unit. Set the correct address.

### **D. No response to the sound**

1. Make sure the unit is not receiving a DMX signal.

2. Check microphone to see if it is O.K. by tapping it.

3. Make sure the fixture is not set into Blackout mode

---

## **6. Fixture Cleaning**

Cleaning must be carried out periodically to optimize light output. Cleaning frequency depends on the environment in which the fixture operates: damp, smoky or particularly dirty surrounding can cause a greater accumulation of dirt on the unit's optics.

- Clean with soft cloth using normal glass cleaning fluid or mild soapy water.
- Always dry the parts carefully.
- Clean the external optics at least every 30 days.

---

---

## **Declaration of Conformity**

We declare that our products (lighting equipments) comply with the following specification and bears CE mark in accordance with the provision of the Electromagnetic Compatibility (EMC) Directive 2004/108/EC.

EN55103-1: 2009 ; EN55103-2: 2009;  
EN61000-3-2: 2006 + A1:2009 + A2:2009; EN61000-3-3: 2008.

**&**

## **Harmonized Standard**

EN 60598-1:2008 + All:2009; EN 60598-2-17:1989 + A2:1991;  
EN 62471:2008; EN 62493: 2010  
Safety of household and similar electrical appliances  
Part 1: General requirements

---

## **Innovation, Quality, Performance**