

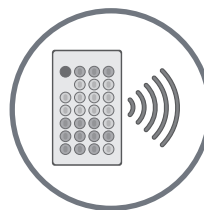


# Liberty 7HEX12 Battery Uplighter 7 x 12W 6-in-1 colour LED (RGBAWUV)

## User Manual



Convection cooled,  
no fan!



Optional  
IR remote  
Order ref:  
LEDJ90F

Order codes:

ELUM118 - Black housing  
ELUM118A - White housing

## WARNING

### FOR YOUR OWN SAFETY, PLEASE READ THIS USER MANUAL CAREFULLY BEFORE YOUR INITIAL START-UP!

- Before your initial start-up, please make sure that there is no damage caused during transportation.
- Should there be any damage, consult your dealer and do not use the equipment.
- To maintain the equipment in good working condition and to ensure safe operation, it is necessary for the user to follow the safety instructions and warning notes written in this manual.
- Please note that damages caused by user modifications to this equipment are not subject to warranty.



### IMPORTANT:

The manufacturer will not accept liability for any resulting damages caused by the non-observance of this manual or any unauthorised modification to the equipment.

- Never let the power cable come into contact with other cables. Handle the power cable and all mains voltage connections with particular caution!
- Never remove warning or informative labels from the unit.
- Do not open the equipment and do not modify the unit.
- Do not connect this equipment to a dimmer pack.
- Do not switch the equipment on and off in short intervals, as this will reduce the system's life.
- Only use the equipment indoors.
- Do not expose to flammable sources, liquids or gases.
- Always disconnect the power from the mains when equipment is not in use or before cleaning! Only handle the power-cable by the plug. Never pull out the plug by pulling the power-cable.
- Make sure that the available voltage is between 100~240V, 50/60Hz.
- Make sure that the power cable is never crimped or damaged. Check the equipment and the power cable periodically.
- If the equipment is dropped or damaged, disconnect the mains power supply immediately and have a qualified engineer inspect the equipment before operating again.
- If the equipment has been exposed to drastic temperature fluctuation (e.g. after transportation), do not connect power or switch it on immediately. The arising condensation might damage the equipment. Leave the equipment switched off until it has reached room temperature.
- If your product fails to function correctly, stop use immediately. Pack the unit securely (preferably in the original packing material), and return it to your Pro Light dealer for service.
- Only use fuses of same type and rating.
- Repairs, servicing and power connection must only be carried out by a qualified technician. THIS UNIT CONTAINS NO USER SERVICEABLE PARTS.
- WARRANTY: Two years from date of purchase.
- NOTE: Batteries are classed as consumable items which are covered for 90 days from date of purchase.

### OPERATING DETERMINATIONS

If this equipment is operated in any other way, than those described in this manual, the product may suffer damage and the warranty becomes void. Incorrect operation may lead to danger e.g: short-circuit, burns and electric shocks etc.

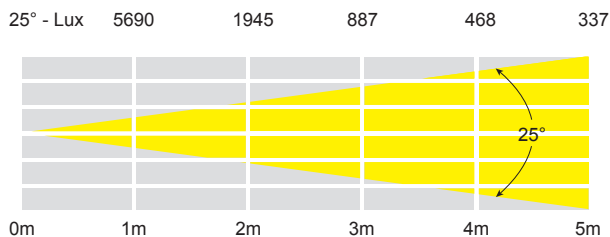
Do not endanger your own safety and the safety of others!

Incorrect installation or use can cause serious damage to people and/or property.

## Liberty 7HEX12 battery uplighter

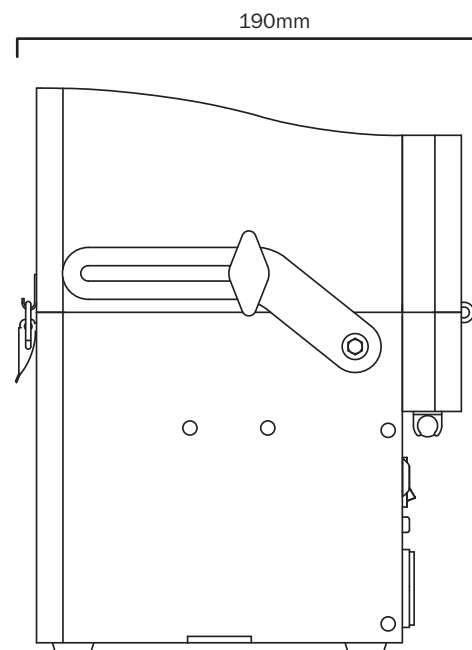
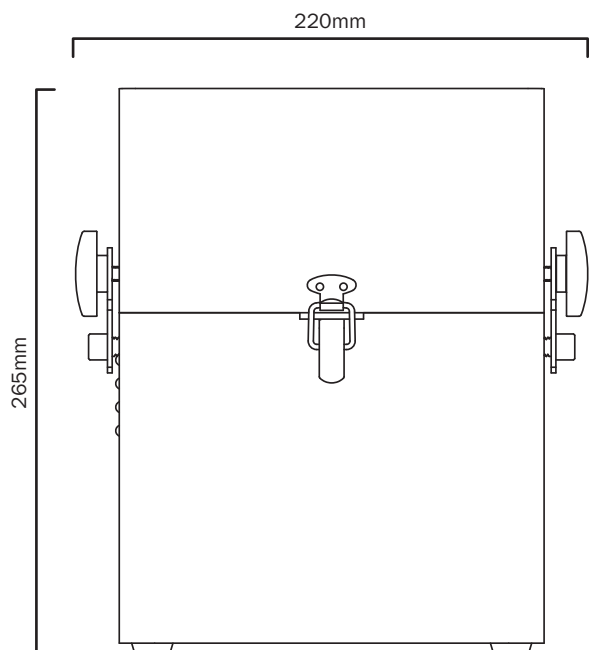
Housing 7 x 12W six-colour LEDs, the Liberty 7HEX12 battery uplighter gives smooth colour mixing from rich saturated hues to subtle pastel shades. These units have a rugged housing and feature a 4 push button LED menu which allows for easy access to the functions including DMX, master/slave, sound active and stand alone.

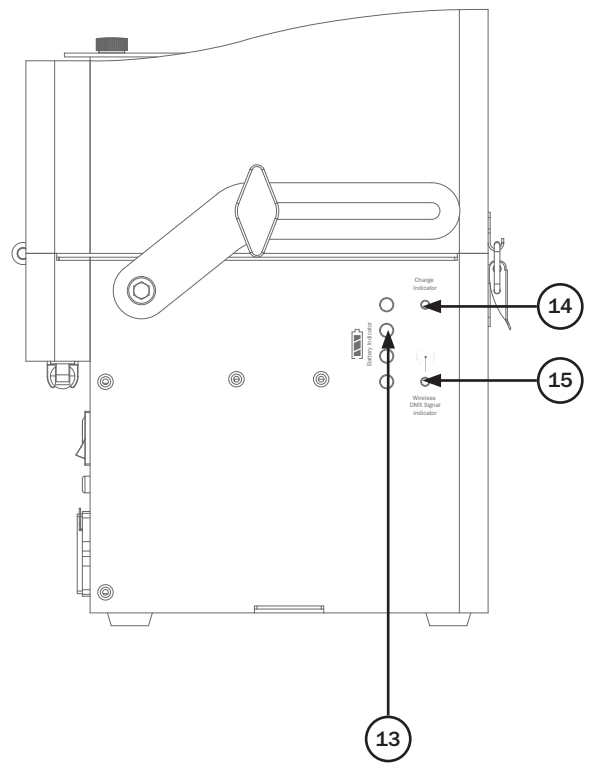
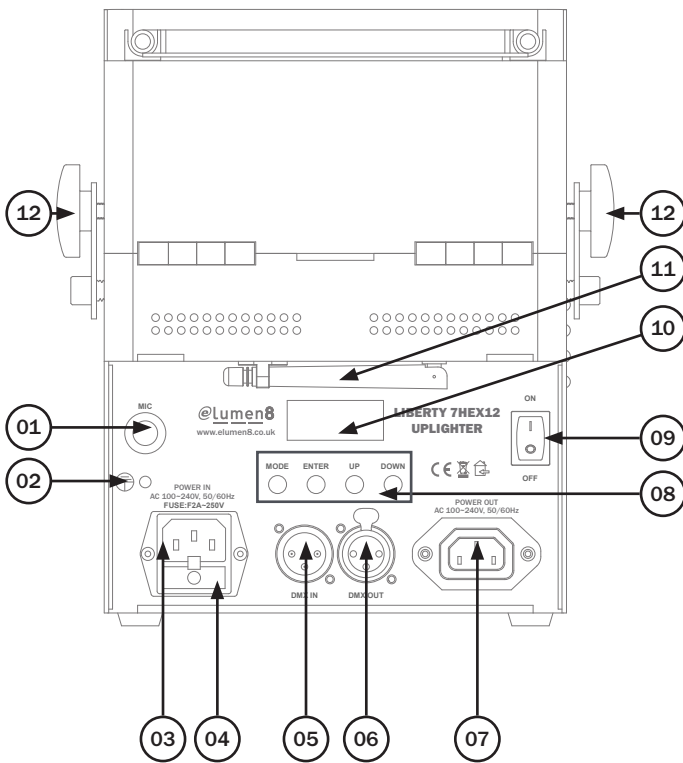
- 2 year warranty
- 7 x 12W six-colour LEDs (RGBWAUV)
- Beam angle: 25° (field angle: 35°)
- Refresh rate: 3.6kHz
- DMX channels: 2, 3, 3, 6 or 9 selectable
- Wireless DMX control from W DMX
- Static colour, colour change, colour fade, auto, sound active and master/slave modes
- 0-100% dimming and variable strobe
- Adjustable angle
- Carry handle
- Safety bond/security chain point
- 4 push button menu with LCD display
- Rechargeable battery for wireless applications
- IEC power input/output
- 3-Pin XLR in/out sockets
- Convection cooled
- Optional IR remote (LEDJ90F)



Specifications	Liberty 7HEX12 battery uplighter
Power consumption	155W (when charging)
Battery life	5-7 hours* (full on) 18-20 hours* (colour fade)
Battery recharge time	5 hours
Power supply	100~240V, 50/60Hz
Dimensions	265 x 220 x 190mm
Weight	6.1kg
Order code	ELUM118 - Black housing
Order code	ELUM118A - White housing

\*battery life subject to usage and the environment where the fixture is situated.





- 01 - Microphone
- 02 - Earth point
- 03 - IEC power in socket
- 04 - Fuse F2A 250V
- 05 - DMX in socket
- 06 - DMX out socket
- 07 - IEC power out socket
- 08 - Function buttons
- 09 - On/off buttons
- 10 - LCD display
- 11 - Wireless DMX antenna

- 12 - Tightening knobs for angle adjustment
- 13 - Battery indicator
- 14 - Charge Indicator
- 15 - Wireless DMX signal indicator

In the box: **1 x fixture,**  
**1 x IEC mains cable &**  
**1 x user manual**

**Please note:**  
This fixture is not supplied in a fully charged state, and must be charged for up to 24 hours before operation.

**Angle adjustment:**

Use the tightening knobs on either side of the fixture to adjust the angle from 0 - 90°.

## Operating instructions



**DMX channel mode:**

Operating in DMX control mode gives the user the greatest flexibility when it comes to customising or creating a show. In this mode you will be able to control each individual trait of the fixture and each fixture independently.

To access the DMX channel mode, press the “**MENU**” button on the rear of the unit to show “**CHANNEL**” on the LCD display. Now press the “**ENTER**” button and use the “**UP**” and “**DOWN**” buttons to choose one of the 2, 3, 3, 6 or 9 DMX channel modes. Press the “**ENTER**” button to confirm the setting.

To exit out of any of the above options, press the “**MODE**” button.

**2 channel mode:**

Channel	Value	Function
1	000-255	Master dimmer (0-100%)
2 000-255 colour macro	000-016	Red
	017-033	Green
	034-050	Blue
	051-067	White
	068-084	Amber
	085-101	UV
	102-118	Yellow (R - 225, G - 200, A - 255)
	119-135	Cyan (G - 255, B - 255)
	136-152	Lavender (R -170, B - 210)
	153-169	Bright green (G - 255, A - 180)
	170-186	Magenta (R - 255, B - 90, UV - 255)
	187-203	Turquoise (G - 255, B - 180, UV - 255)
	204-220	Orange (R - 200, A - 200)
	221-237	Cool white (R - 70, G - 190, B - 255, A - 200)
238-255	Warm white (R - 230, G - 255, B - 255, A - 255, W - 255)	

### 3 channel mode:

Channel	Value	Function
1	000-255	Master dimmer (0-100%)
2	000-255	Flash (speed 0-100%, 1Hz-20Hz)
3	000-004	Blackout
	005-010	Red
	011-015	Green
	016-020	Blue
	021-025	White
	026-030	Amber
	031-035	UV
	036-040	Yellow (R - 255, G - 200, A - 255)
	041-045	Cyan (G - 255, B - 255)
	046-050	Lavender (R - 170, B - 210)
	051-055	Bright green (G - 255, A - 180)
	056-060	Magenta (R - 255, B - 90, UV - 255)
	061-065	Turquoise (G - 255, B - 180, UV - 255)
	066-070	Orange (R - 200, A - 200)
	071-075	Cool white (R - 70, G - 190, B - 255, A - 200)
	076-080	Warm white (R - 230, G - 255, B - 255, A - 255, W - 255)
	081-150	Colour jumping speed Slowest (081) changes every 8 secs Fastest (150) changes every 0.3 secs
	151-220	Colour fading speed Slowest (151) changes every 8 secs Fastest (220) changes every 0.3 secs
	221-255	Sound control (mic sensitivity)

### 3 channel mode:

Channel	Value	Function
1	000-255	Red (0-100%)
2	000-255	Green (0-100%)
3	000-255	Blue (0-100%)

### 6 channel mode:

Channel	Value	Function
1	000-255	Red (0-100%)
2	000-255	Green (0-100%)
3	000-255	Blue (0-100%)
4	000-255	White (0-100%)
5	000-255	Amber (0-100%)
6	000-255	UV (0-100%)

### 9 channel mode:

Channel	Value	Function
1	000-255	Master dimmer (0-100%)
2	000-255	Flash (speed 0-100%, 1Hz-20Hz)
3	000-255	Red (0-100%)
4	000-255	Green (0-100%)
5	000-255	Blue (0-100%)
6	000-255	White (0-100%)
7	000-255	Amber (0-100%)
8	000-255	UV (0-100%)
9	000-004	Blackout
	005-010	Red
	011-015	Green
	016-020	Blue
	021-025	White
	026-030	Amber
	031-035	UV
	036-040	Yellow (R - 255, G - 200, A - 255)
	041-045	Cyan (G - 255, B - 255)
	046-050	Lavender (R - 170, B - 210)
	051-055	Bright green (G - 255, A - 180)
	056-060	Magenta (R - 255, B - 90, UV - 255)
	061-065	Turquoise (G - 255, B - 180, UV - 255)
	066-070	Orange (R - 200, A - 200)
	071-075	Cool white (R - 70, G - 190, B - 255, A - 200)
	076-080	Warm white (R - 230, G - 255, B - 255, A - 255, W - 255)
081-150	Colour jumping speed: slowest (081) changes every 8 secs, fastest (150) changes every 0.3 secs	
151-220	Colour fading speed: slowest (151) changes every 8 secs, fastest (220) changes every 0.3 secs	
221-255	Sound control (mic sensitivity)	

### DMX address examples:

To set the DMX address, press the “**MENU**” button on the rear of the unit to show “DMX MODE” on the LCD display. Now press the “**ENTER**” button and use the “**UP**” and “**DOWN**” buttons to choose between the addresses 000-512. Press the “**ENTER**” button to confirm the setting.

To exit out of any of the above options, press the “**MODE**” button.

### Colour mode:

To access the static colour mode, press the “**MODE**” button on the rear of the unit to show “1. STATIC” on the LCD display. Then press the “**ENTER**” button and use the “**UP**” and “**DOWN**” buttons to change between static colour, colour change (7 colour), colour change (3 colour) and colour fade modes. Press the “**ENTER**” button to confirm the setting. Now use the “**UP**” and “**DOWN**” buttons to select the RGB brightness and F (flash) speed. Press the “**ENTER**” button to confirm the setting.

To exit out of any of the above options, press the “**MODE**” button.

### Master/slave mode:

To set the master unit, press the “**MODE**” button on the rear of the master unit then select your desired program (sound active, auto, static colour, colour fade or one of the built-in programs).

To set the other units in slave mode, press the “**MODE**” button on the rear of the unit to show “SLAVE MODE” on the LED display and press the “**ENTER**” button to confirm the setting. The unit will now run in sequence with the master unit.

To exit out of any of the above options, press the “**MODE**” button.

Please ensure that all slave units are set to the same DMX channel mode as the master unit.

### Sound active mode:

To access the sound active mode, press the “**MODE**” button on the rear of the unit to show “SOUND SENS” on the LCD display. Now press the “**ENTER**” button and use the “**UP**” and “**DOWN**” buttons to set the sound sensitivity level from 00 - 31. Press the “**ENTER**” button to confirm the setting.

To exit out of any of the above options, press the “**MODE**” button.

Power mode: (this gives you the option to have the unit illuminated or off whilst charging)

To access the power mode, press the “**MODE**” button on the rear of the unit to show “POWER” on the LCD display. Now press the “**ENTER**” button and use the “**UP**” and “**DOWN**” buttons set to ON or OFF.

**ON** - the unit will be illuminated whilst charging

**OFF** - the unit will be off whilst charging

Press the “**ENTER**” button to confirm the setting.

To exit out of any of the above options, press the “**MODE**” button.

### Battery reference information:

When the battery charge indicator LED is illuminated red, the fixture is recharging. When the battery charge indicator LED is illuminated green, the fixture is charged. When the battery life indicator LED(s) are illuminated green, the following rules apply: **4 indicators** - 100% charged, **3 indicators** - 75% charged, **2 indicators** - 50% charged, **1 indicator** - 25% charged

The recharging time for the battery is 5 hours. The battery usage time from fully charged is dependant on the mode and brightness of the fixture. For more information please see the spec. table on page 3.

### Wireless DMX:

To activate the wireless DMX receiver press the mode button until the display shows “Wireless Off”, press “**ENTER**” to access the menu and then “**UP/DOWN**” to select “Wireless On”.

When the wireless DMX signal indicator LED is illuminated red, the wireless receiver is not active.

When the wireless DMX signal indicator LED is flashing red and green, the wireless DMX receiver is on and is trying to connect to the wireless DMX transmitter.

When the wireless DMX signal indicator LED is green, the connection to the wireless DMX transmitter is good.

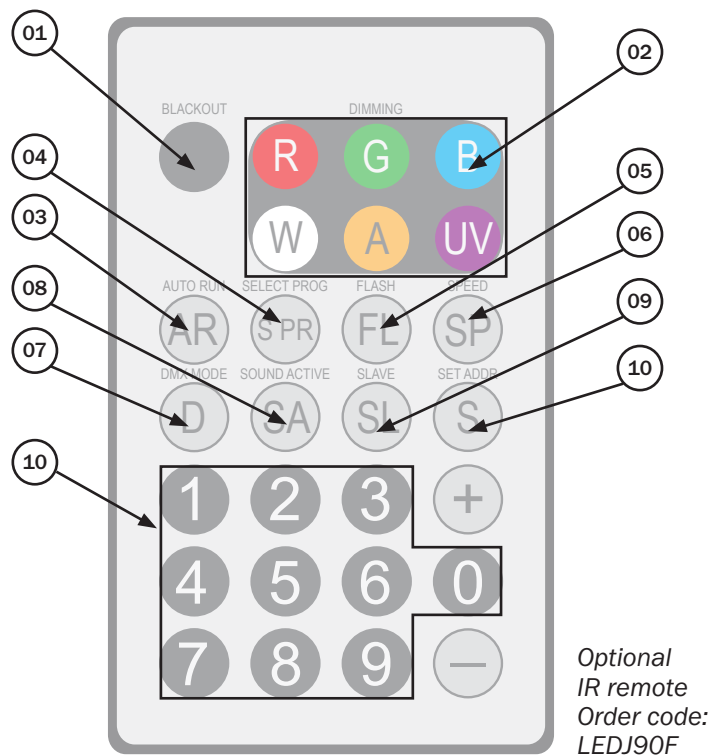
When the wireless DMX signal indicator LED is green (on) and red (flashing) it means the connection is good, but the fixture is not receiving the DMX signal from the transmitter.



## Optional IR remote functions:

### Button functions:

- 01 - Blackout
- 02 - Set the LEDs colour, then use the '+' and '-' buttons to change the brightness
- 03 - Set in auto run
- 04 - Run the built-in programs, then use the '+' and '-' buttons to go through the programs
- 05 - Set the LEDs to flash on and off, then use the '+' and '-' buttons to change the flash frequency
- 06 - Set the run speed, then use the '+' and '-' buttons to change the desired speed (note: only available in the colour change or colour fade modes)
- 07 - Set the LEDs into DMX mode
- 08 - Set the LED into sound active mode
- 09 - Set the LEDs into slave mode
- 10 - Set the DMX address for the LEDs



### DMX address examples:

To set the DMX address “245”;

- Press the “S” button, the red LEDs will come on, you can now start to set the DMX address
- Now press the “2” button, the green LEDs will come on, this means the first digit has been set at 2
- Now press the “4” button, the blue LEDs will come on, this means the second digit has been set at 4

- Now press the “5” button, and all of the R, G, B LEDs will come on, the third digit 5 has been set. The full DMX address setting has been changed
- Now press the “DMX MODE” button to save the new address into the memory

### Important notes:

- Set the DMX address on each fixture before plugging into the DMX controller
- The IR remote is cannot be used when the fixture(s) are being controlled by a DMX controller
- The maximum transmitter distance is 10m - Please make sure that you have the IR remote aimed directly at the front panel of each fixture to be programmed
- If you do not press the “DMX MODE” button after you have changed the DMX address, when you power down the fixture it will lose the address you have set

## Setting the DMX address:

The DMX mode enables the use of a universal DMX controller. Each fixture requires a “start address” from 1- 511. A fixture requiring one or more channels for control begins to read the data on the channel indicated by the start address. For example, a fixture that occupies or uses 7 channels of DMX and was addressed to start on DMX channel 100, would read data from channels: 100,101,102,103,104,105 and 106. Choose a start address so that the channels used do not overlap. E.g. the next unit in the chain starts at 107.

## DMX 512:

DMX (Digital Multiplex) is a universal protocol used as a form of communication between intelligent fixtures and controllers. A DMX controller sends DMX data instructions from the controller to the fixture. DMX data is sent as serial data that travels from fixture to fixture via the DATA “IN” and DATA “OUT” XLR terminals located on all DMX fixtures (most controllers only have a data “out” terminal).

## DMX linking:

DMX is a language allowing all makes and models of different manufactures to be linked together and operate from a single controller, as long as all fixtures and the controller are DMX compliant. To ensure proper DMX data transmission, when using several DMX fixtures try to use the shortest cable path possible. The order in which fixtures are connected in a DMX line does not influence the DMX addressing. For example; a fixture assigned to a DMX address of 1 may be placed anywhere in a DMX line, at the beginning, at the end, or anywhere in the middle. When a fixture is assigned a DMX address of 1, the DMX controller knows to send DATA assigned to address 1 to that unit, no matter where it is located in the DMX chain.

## DATA cable (DMX cable) requirements (for DMX operation):

This fixture can be controlled via DMX-512 protocol. The DMX address is set on the back of the unit. Your unit and your DMX controller require a standard 3-pin XLR connector for data input/output, see image below.



Further DMX cables can be purchased from all good sound and lighting suppliers or Pro Light Concepts dealers.

Please quote:

**CABL10 – 2m**

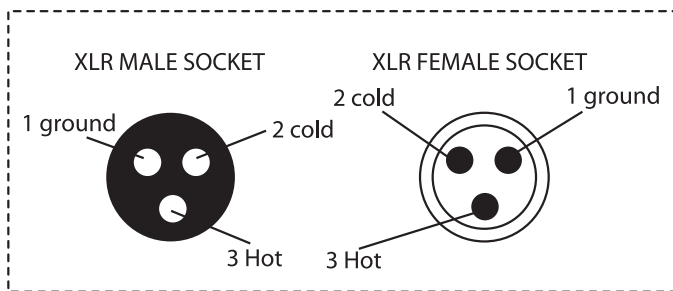
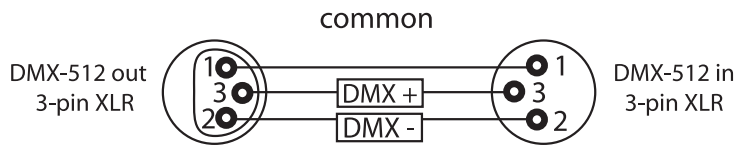
**CABL11 – 5m**

**CABL12 – 10m**

**Note: DMX cable must be daisy chained and cannot be split.**

**Notice:**

Be sure to follow the diagrams below when making your own cables. Do not connect the cables shield conductor to the ground lug or allow the shield conductor to come in contact with the XLRs outer casing. Grounding the shield could cause a short circuit and erratic behaviour.



XLR Pin Configuration
Pin 1 = Ground
Pin 2 = Negative
Pin 3 = Positive

**Special note:**

**Line termination:**

When longer runs of cable are used, you may need to use a terminator on the last unit to avoid erratic behaviour.

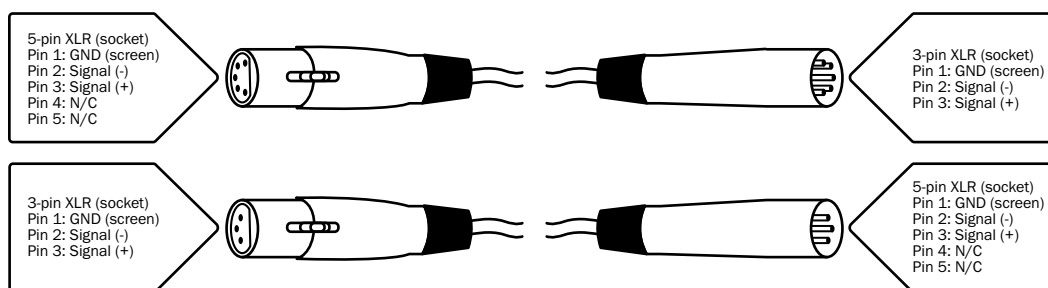
**Using a cable terminator will decrease the possibilities of erratic behaviour.**

**(3-pin - Order code: CABL90, 5-pin - Order code: CABL89)**

Termination reduces signal transmission problems and interference. It is always advisable to connect a DMX terminal, (resistance 120 Ohm 1/4 W) between pin 2 (DMX-) and pin 3 (DMX+) of the last fixture.

**5-pin XLR DMX connectors:**

Some manufactures use 5-pin XLR connectors for data transmission in place of 3-pin. 5-pin XLR fixtures may be implemented in a 3-pin XLR DMX line. When inserting standard 5-pin XLR connectors in to a 3-pin line a cable adaptor must be used. The diagram below details the correct cable conversion.



Please contact your local retailer to purchase these accessories.

To keep up-to-date on the latest accessories and product range additions please visit [www.prolight.co.uk](http://www.prolight.co.uk)



Optional IR remote  
Order code: LEDJ90F



### ***Correct Disposal of this Product (Waste Electrical & Electronic Equipment)***

(Applicable in the European Union and other European countries with separate collection systems)

This marking shown on the product or its literature, indicates that it should not be disposed of with other household wastes at the end of its working life. To prevent possible harm to the environment or human health from uncontrolled waste disposal, please separate this from other types of wastes and recycle it responsibly to promote the sustainable reuse of material resources.

Household users should contact either the retailer where they purchased this product, or their local government office, for details of where and how they can take this item for environmentally safe recycling.

Business users should contact their supplier and check the terms and conditions of the purchase contract. This product should not be mixed with other commercial wastes for disposal.

