

elumen8

Virtuoso 1000 Profile HEX User Manual



Order codes: ELUM143

WARNING

FOR YOUR OWN SAFETY, PLEASE READ THIS USER MANUAL CAREFULLY BEFORE YOUR INITIAL START-UP!

- Before your initial start-up, please make sure that there is no damage caused during transportation.
- Should there be any damage, consult your dealer and do not use the equipment.
- To maintain the equipment in good working condition and to ensure safe operation, it is necessary for the user to follow the safety instructions and warning notes written in this manual.
- Please note that damages caused by user modifications to this equipment are not subject to warranty.



IMPORTANT:

The manufacturer will not accept liability for any resulting damages caused by the non-observance of this manual or any unauthorised modification to the equipment.

- Never let the power cable come into contact with other cables. Handle the power cable and all mains voltage connections with particular caution!
- Never remove warning or informative labels from the unit.
- Do not open the equipment and do not modify the unit.
- Do not connect this equipment to a dimmer pack.
- Do not switch the equipment on and off in short intervals, as this will reduce the system's life.
- Only use the equipment indoors.
- Do not expose to flammable sources, liquids or gases.
- Always disconnect the power from the mains when equipment is not in use or before cleaning! Only handle the power-cable by the plug. Never pull out the plug by pulling the power-cable.
- Make sure that the available mains supply voltage is between 100~240V AC, 50/60Hz.
- Make sure that the power cable is never crimped or damaged. Check the equipment and the power cable periodically.
- If the equipment has been exposed to drastic temperature fluctuation (e.g. after transportation), do not connect power or switch it on immediately. The arising condensation might damage the equipment. Leave the equipment switched off until it has reached room temperature.
- Never touch the fixture during operation as it may be hot.
- If the equipment is dropped or damaged, disconnect the mains power supply immediately and have a qualified engineer inspect the equipment before operating again.
- If your product fails to function correctly, stop use immediately. Pack the unit securely (preferably in the original packing material), and return it to your Pro Light dealer for service.
- Only use fuses of same type and rating.
- Repairs, servicing and power connection must only be carried out by a qualified technician. THIS UNIT CONTAINS NO USER SERVICEABLE PARTS.
- This lighting fixture is for professional use only - it is not designed for or suitable for household use. The product must be installed by a qualified technician in accordance with local territory regulations. The safety of the installation is the responsibility of the installer. The fixture presents risks of severe injury or death due to fire hazards, electric shock and falls.
- Warning! Risk Group 2 LED product according to EN 62471. Do not view the light output with optical instruments or any device that may concentrate the beam.
- WARRANTY: Two years from date of purchase.

OPERATING DETERMINATIONS

If this equipment is operated in any other way, than those described in this manual, the product may suffer damage and the warranty becomes void. Incorrect operation may lead to danger e.g: short-circuit, burns and electric shocks etc.

Do not endanger your own safety and the safety of others!

Incorrect installation or use can cause serious damage to people and/or property.

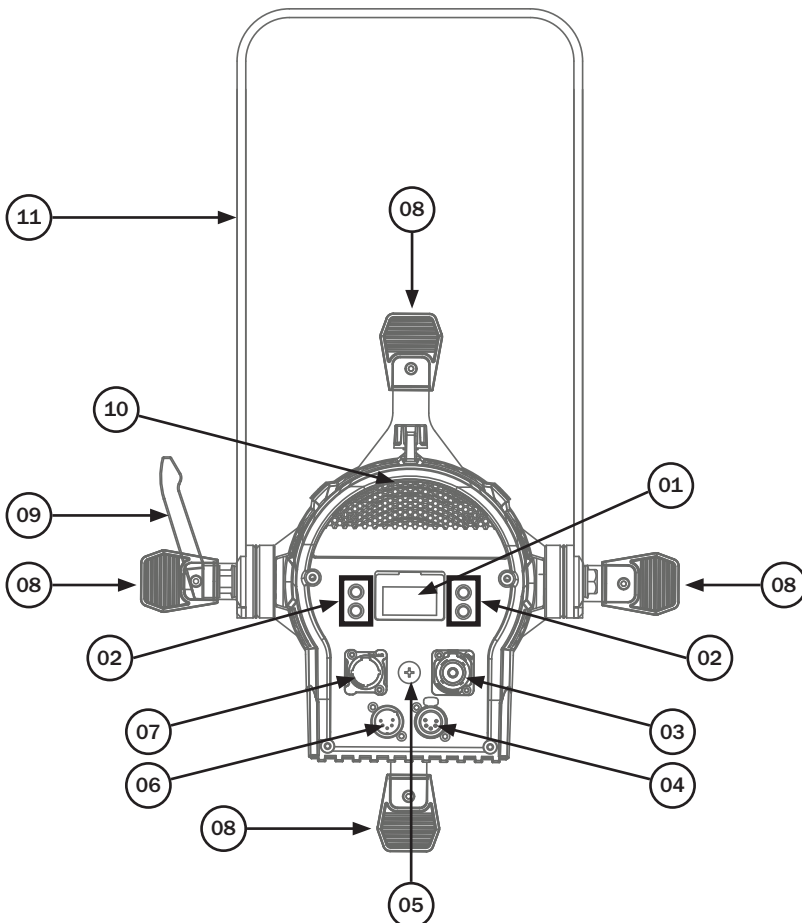
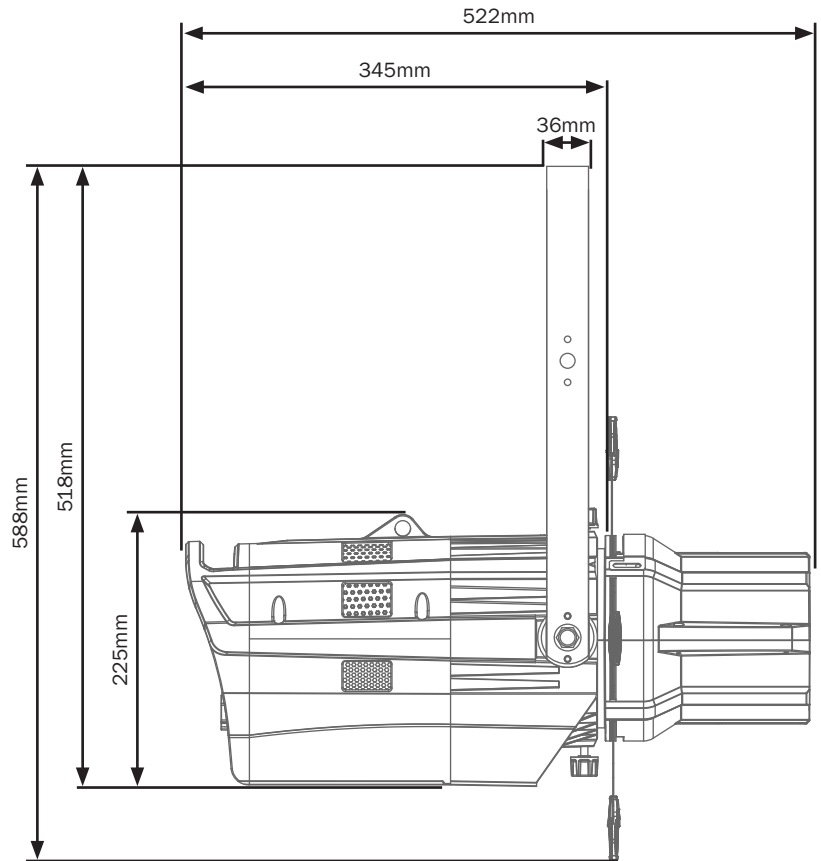
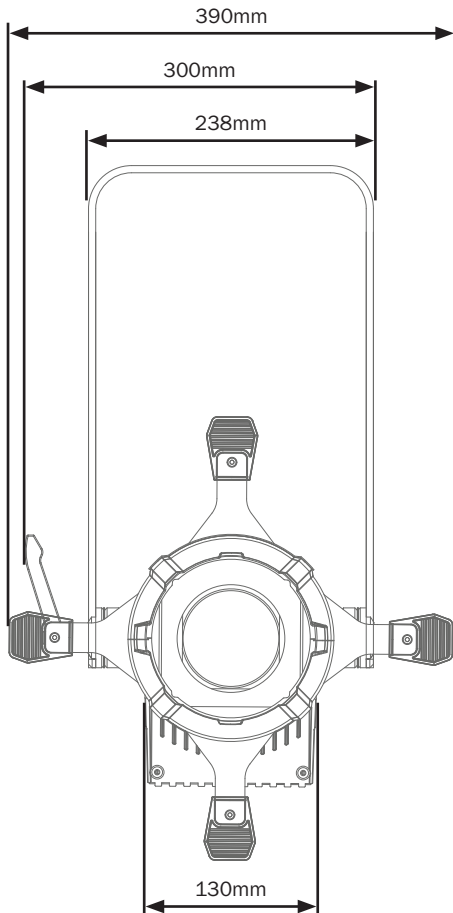
Virtuoso 1000 Profile HEX

The Virtuoso 1000 HEX Profile features an advanced full colour LED system that outputs a flat and even field and is suitable for many applications. HSIC colour management allows you to create virtually any colour whilst the virtual colour wheel provides direct access to many colours along with a 1,800K to 10,000K colour temperature control. On board features include DMX, RDM and adjustable PWM rate. Due to the design of the body many common and aftermarket lens tubes can fit directly onto the fixture allowing you to upgrade to LED without having to replace your existing lens tubes. Sold as the body only, with optional lenses and accessories. Compatible with most industry standard lenses including Source 4.

- 2 year warranty
- 1 x 270W six-colour LED Array (RGBALC)
- Beam angle: 5° - 50° dependent on lens used
- CRI Ra: 95
- CRI R9: 90
- CQS: 95
- TLCI: 80
- Colour temperature: 1,800K-10,000K
- Refresh rate: 5 selectable presets between 1.2kHz-25kHz
- Beam framing shutters
- Instant fast focus mode
- DMX channels: 3/7/8/10/13 or 20 selectable
- RDM (Remote Device Management)
- 0 - 100% 8 or 16 bit dimming
- Variable strobe
- 4 dimming curves: Linear, square law, inverse square law and S-curve
- 4 button menu with LCD display
- PowerTwist TR1 input/output
- 5-Pin XLR input/output
- 3 selectable fan modes (live, power and studio)
- Rear handle
- Quick release omega clamp included



Specifications	Virtuoso 1000 Profile HEX
Power consumption	311W
Power supply	100~240V, 50/60Hz
Fuse	T6.3A 250V
Dimensions	588 x 390 x 522mm
Weight	8.5kg
Order code	ELUM143

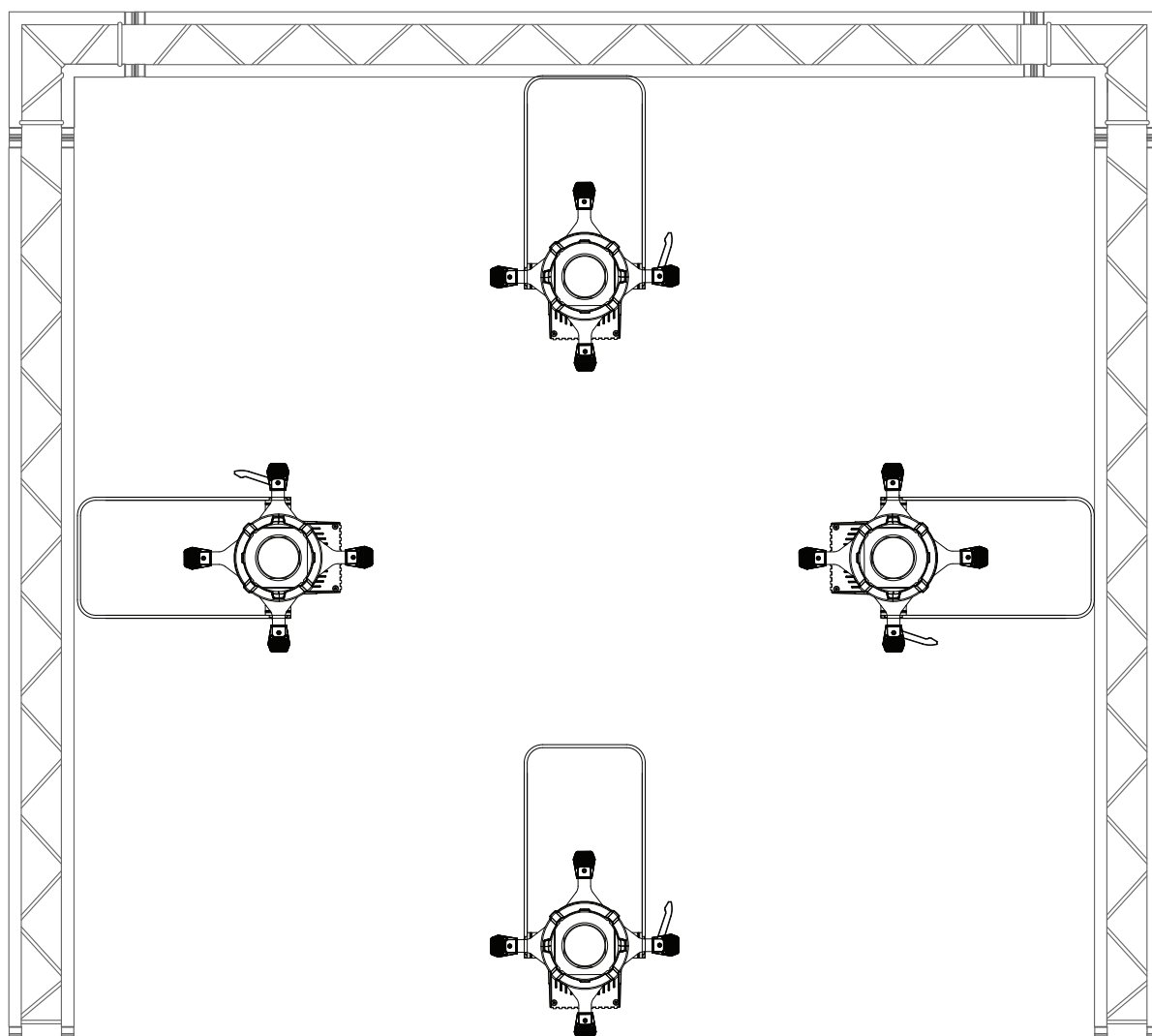


- 01 - LCD display
- 02 - Function buttons
- 03 - PowerTwist TR1 output
- 04 - 5-Pin DMX output
- 05 - Fuse T6.3A 250V
- 06 - 5-Pin DMX input
- 07 - PowerTwist TR1 input
- 08 - Shutters
- 09 - Hanging bracket adjustment knob
- 10 - Carry handle
- 11 - Hanging bracket

In the box: **1 x fixture**
& 1 x power cable

Before installing the fixture, the supporting structure (ie. truss) must be able to hold a minimum of 10 times the fixtures weight without any deformation (eg. 15kg - 150kg point load). The fixture must be secured with a secondary safety attachment when being installed (ie. an appropriate safety cable). Never stand directly below the fixture when mounting, removing, and/or servicing.

Overhead installation requires experience and qualifications to calculate working load limits, the material being used at the installation area and periodic safety inspections of the fixture and installation material. If you do not have the relevant experience and/or qualifications please do not attempt the installation yourself. The installation should be checked annually by a qualified person.

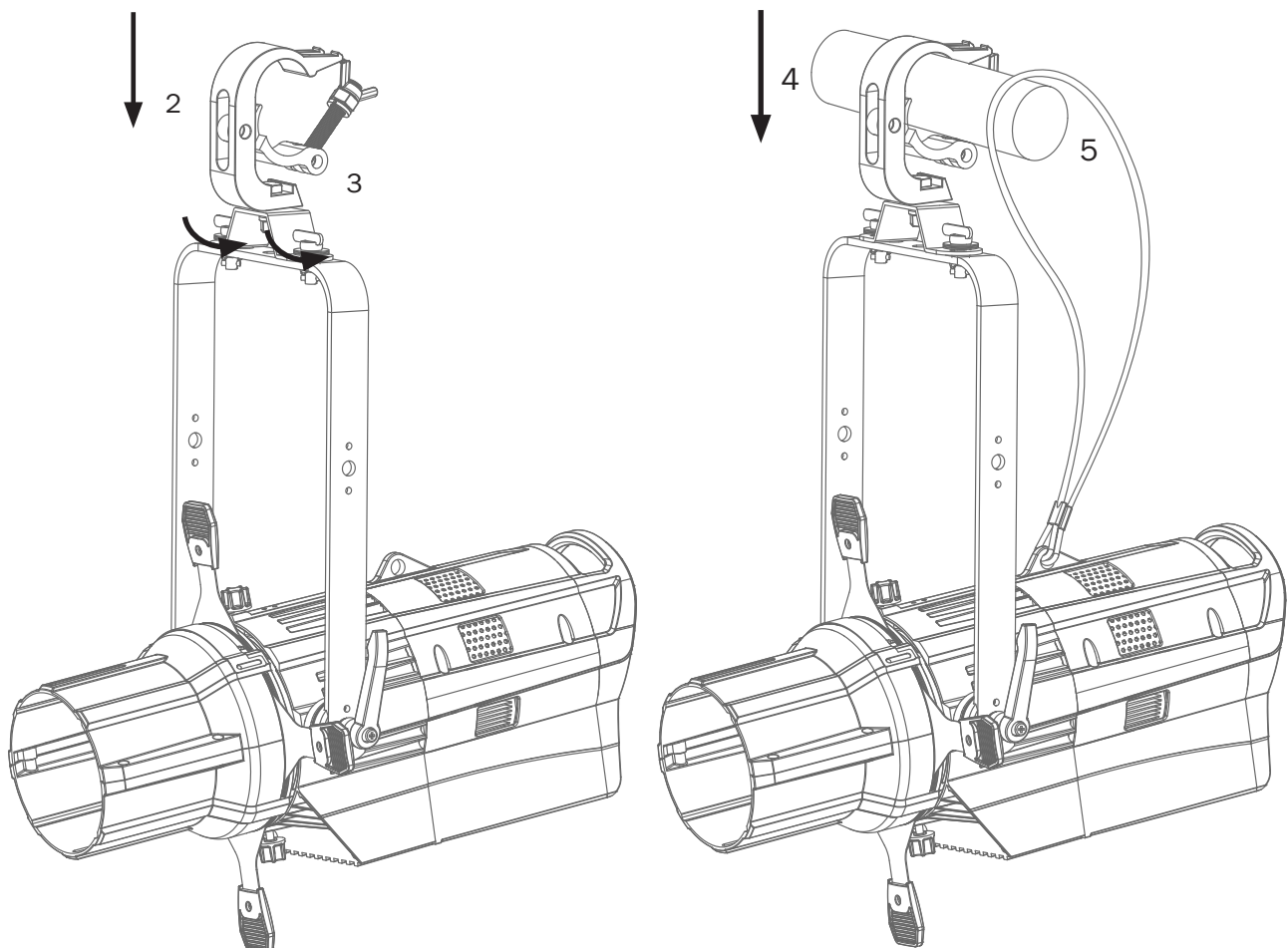
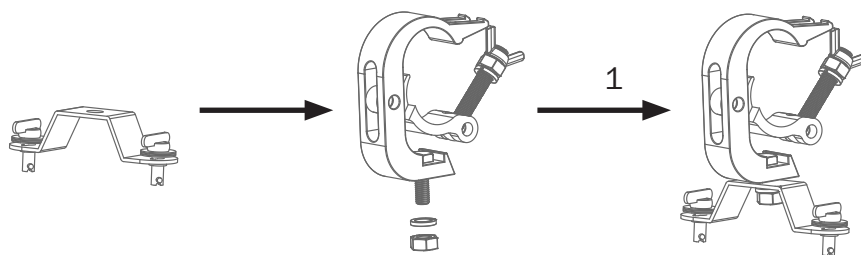


The eLumen8 Virtuoso 1000 Profile HEX can be operated in a number of mounting positions as shown in the diagram above, hanging upside-down from the ceiling or truss, mounting sideways on truss or stood upright on a flat level surface. Always use a safety wire as an extra safety precaution to prevent damage/injury in the event a clamp fails (see the next page for clamp installation).

Never use the carry handles for secondary attachments.

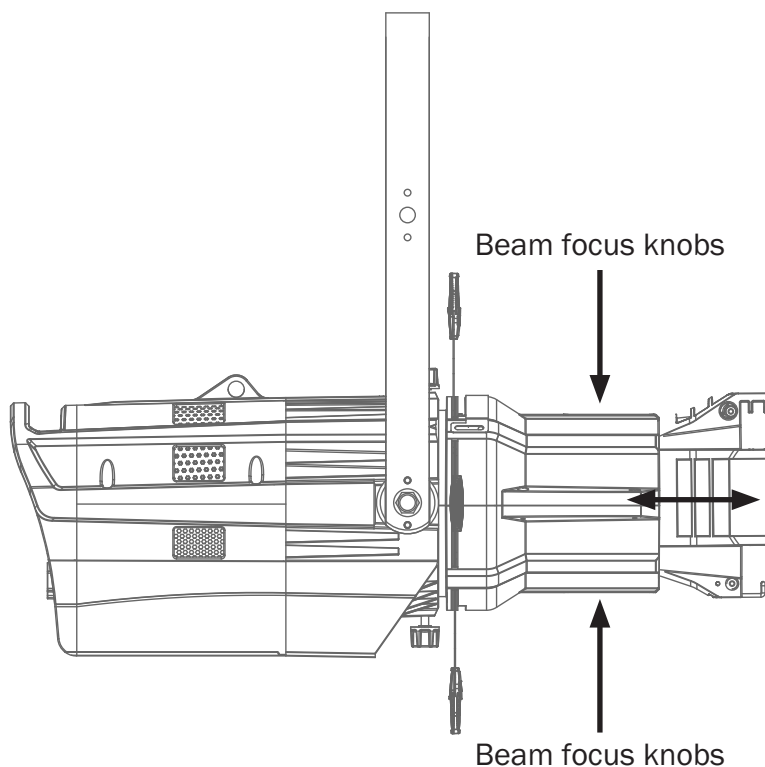
Installation:

1. Fasten the clamp to the omega clamp with a bolt and lock nut through the hole in the omega clamp.
2. Align and insert the omega clamp quick-lock fasteners with the respective holes on the bracket of the unit.
3. Tighten both locking fasteners clockwise on each omega clamp ensuring they're fully secure.
4. Mount the fixture onto your truss system via the clamps and tighten to ensure secure.
5. Pull the safety cable through the safety cable hole located on the top of the fixture and around the truss.



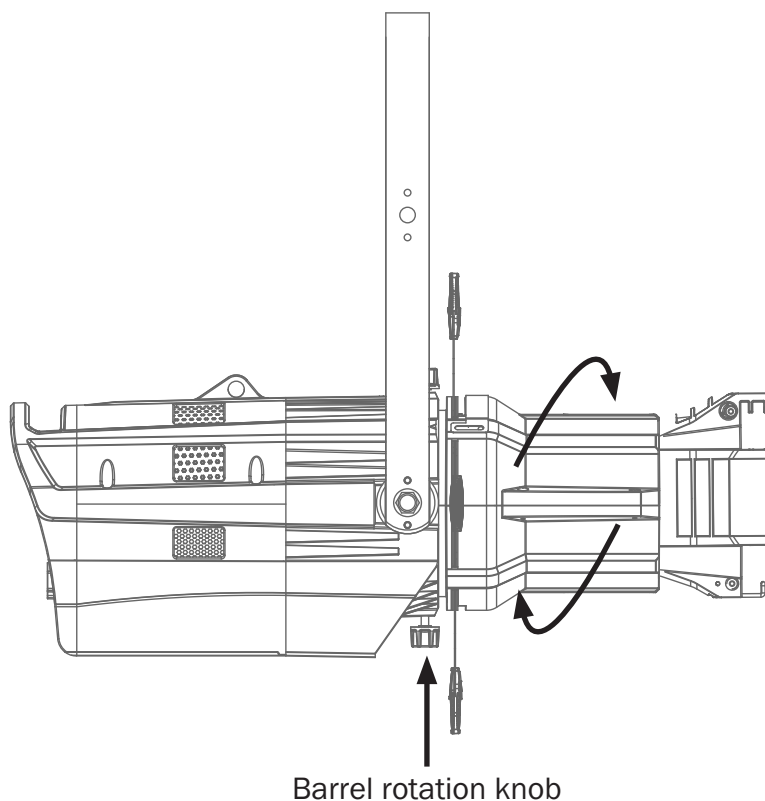
Beam Focus:

1. Loosen the beam focus knobs located at the top and bottom of the barrel.
2. Slide the lens tube forward or backward until you achieve the desired focus.
3. Once the fixture is focussed, tighten the beam focus knobs.



Rotating the Barrel Assembly:

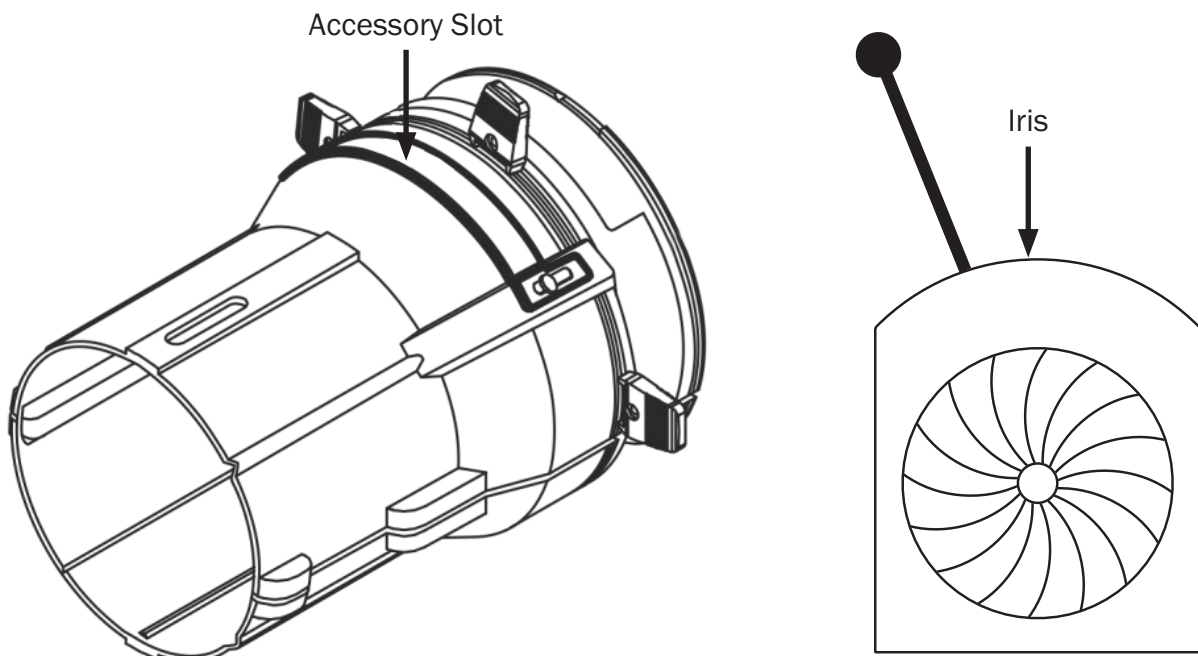
1. Loosen the barrel rotation knobs located at the bottom of the fixture (do not remove the knobs or the barrel assembly).
2. Rotate the barrel into the desired position.
3. Once the barrel is rotated, tighten the barrel rotation knobs.



Accessory Slot:

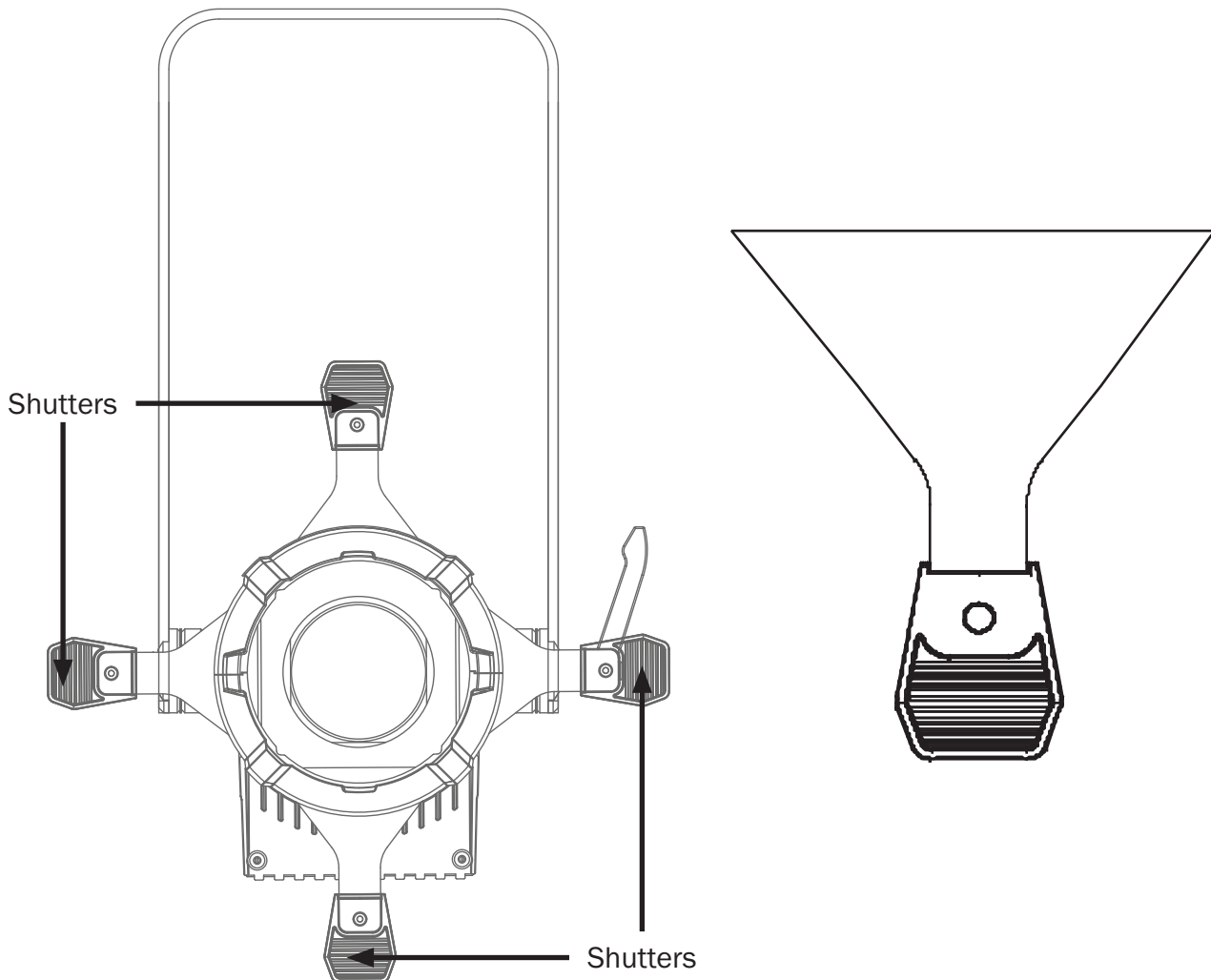
The Virtuoso 1000 Profile HEX has an accessory slot, which holds a drop-in iris or a motorised pattern device (sold separately). When the slot is not in use a small metal cover secures the slot with 2 screws to prevent light leakage.

1. Use a screwdriver to loosen the screws on the slot cover (do not remove the screws).
2. Slide to cover completely forward to expose the slot.
3. Insert the iris or motorised pattern device. When installing an iris, install the flat side towards the shutters and make sure the iris handle extends upwards from the slot.
4. Slide the cover back towards the shutters until it meets the iris handle. Make sure any handles or adjustment tools that stick out the top are able to function correctly.
5. Secure the slot with the tightening screws.



Shutters:

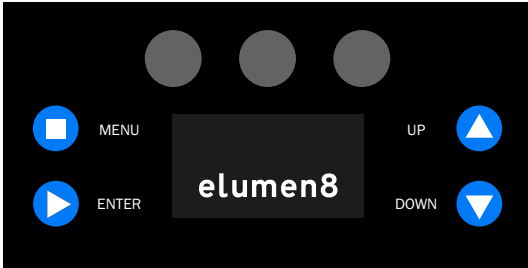
The shutters are located inside the barrel. They can be adjusted via the shutter handles to adjust the shape of the beam.



Control Panel Menu:

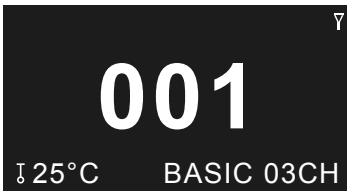
The LCD control panel situated on the rear of the fixture allows the user to access the menu system to adjust the fixtures settings.

When the unit has been powered on the display will show “**Elumen8**”.



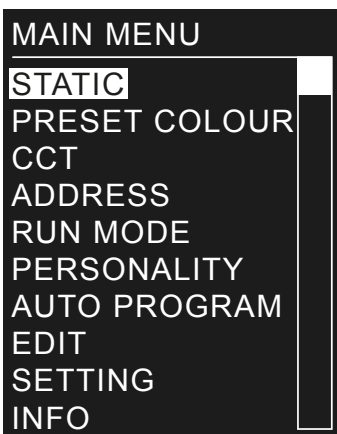
The fixture will then return to its home screen.

Please note: when DMX signal is being received the display will show a small ‘Y’ icon on the top right.



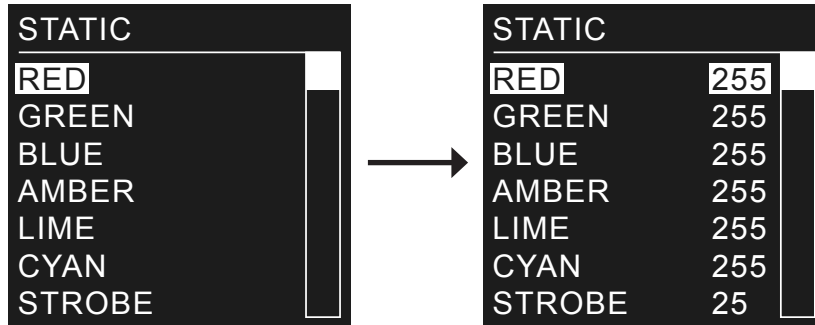
Pressing the “**ENTER**” button once will take the user to the fixtures main menu. Using the “**UP**” and “**DOWN**” buttons you can then navigate between the different options in the main menu. Pressing the “**ENTER**” button on one of these options allows you to access the sub menu where you can use the “**UP**” and “**DOWN**” buttons to select option/value required. Once the option/value has been selected press the “**ENTER**” button once more to confirm the setting.

To exit out of any of the above options, press the “**MENU**” button.



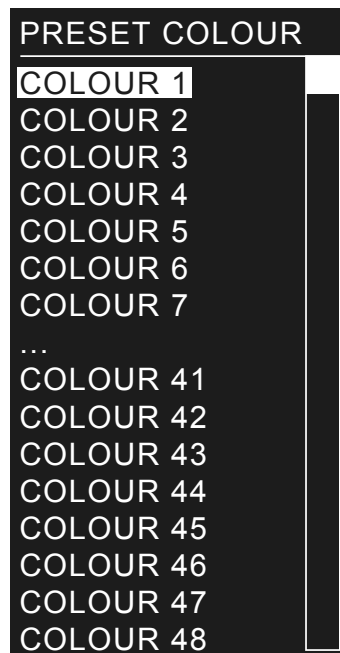
Static colour mode:

To access static colour mode, press the “ENTER” button and use the “UP” and “DOWN” buttons until “STATIC” is highlighted on the LCD display. Press the “ENTER” button and use the “UP” and “DOWN” buttons to select the various options. Press the “ENTER” button and use the “UP” and “DOWN” buttons to select between “0” - “255” (Red, Green, Blue, Amber, Lime and Cyan) or “0” - “25” (Strobe). Press the “ENTER” button to confirm the setting.



Preset colour mode:

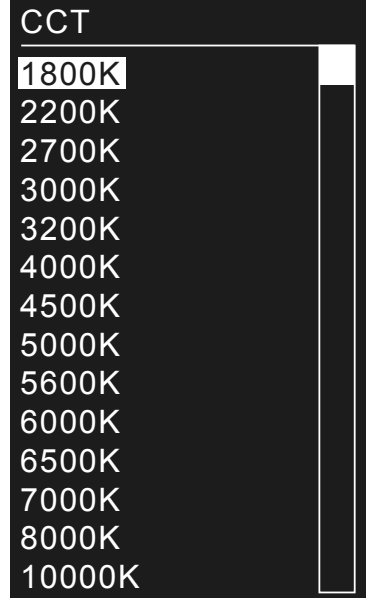
To access preset colour mode, press the “MENU” button and use the “UP” and “DOWN” buttons until “PRESET COLOUR” is highlighted on the LCD display. Press the “ENTER” button and use the “UP” and “DOWN” buttons to select the various colours. Press the “ENTER” button to confirm the setting.



CCT setting (colour temperature):

This setting allows the colour temperature to be adjusted.

To access the CCT setting, use the “UP” and “DOWN” buttons to select “FULL POWER CCT”. Press the “ENTER” button and use the “UP” and “DOWN” buttons to select between “1800K”, “2200K”, “2700K”, “3000K”, “3200K”, “4000K”, “4500K”, “5000K”, “5600K”, “6000K”, “6500K”, “7000K”, “8000K” and “10000K”. Press the “ENTER” button to confirm the setting.



DMX address setting:

To access the fixtures DMX address setting, press the “MENU” button and use the “UP” and “DOWN” buttons until “ADDRESS” is highlighted on the LCD display. Press the “ENTER” button and use the “UP” and “DOWN” buttons to select between “001” - “512”.

Press the “ENTER” button to confirm the setting.



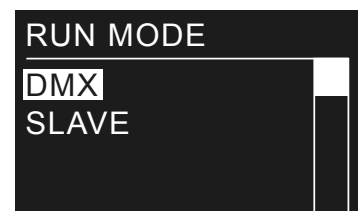
Run mode setting:

To access the fixtures run mode setting, press the “MENU” button and use the “UP” and “DOWN” buttons until “RUN MODE” is highlighted on the LCD display. Press the “ENTER” button and use the “UP” and “DOWN” buttons to select between “DMX” or “SLAVE”.

Press the “ENTER” button to confirm the setting.

DMX - Use this setting when using via a DMX controller.

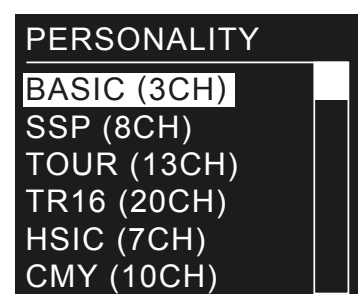
SLAVE - Use this setting when using the fixture via master/slave.



Channel mode (personality) setting:

To access the fixtures channel mode (personality) setting, press the “MENU” button and use the “UP” and “DOWN” buttons until “PERSONALITY” is highlighted on the LCD display. Press the “ENTER” button and use the “UP” and “DOWN” buttons to select between “BASIC” (3 channel), “SSP” (8 channel), “TOUR” (13 channel), “TR16” (20 channel), “HSIC” (7 channel) or “CMY” (10 channel).

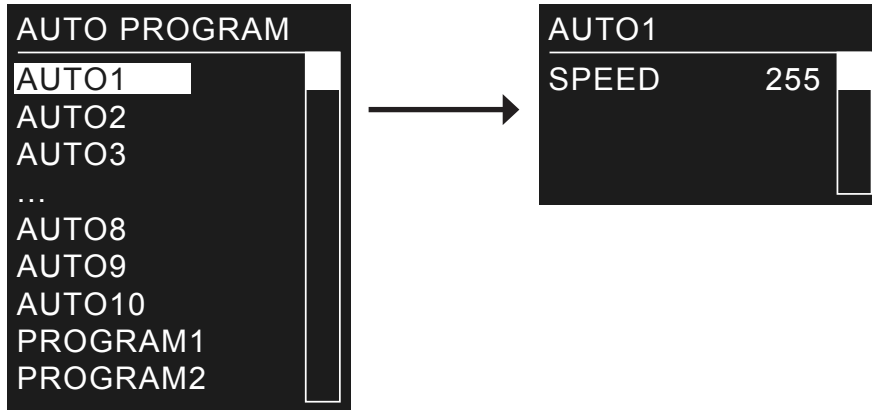
Press the “ENTER” button to confirm the setting.



Auto program setting:

To access the fixtures settings menu, press the “MENU” button and use the “UP” and “DOWN” buttons until “AUTO PROGRAM” is highlighted on the LCD display. Press the “ENTER” button and use the “UP” and “DOWN” buttons to select between “AUTO1” thru “AUTO10”, “PROGRAM1” or “PROGRAM2” then press the “ENTER” button, and use the “UP” and “DOWN” buttons to set the speed.

Press the “ENTER” button to confirm the setting.

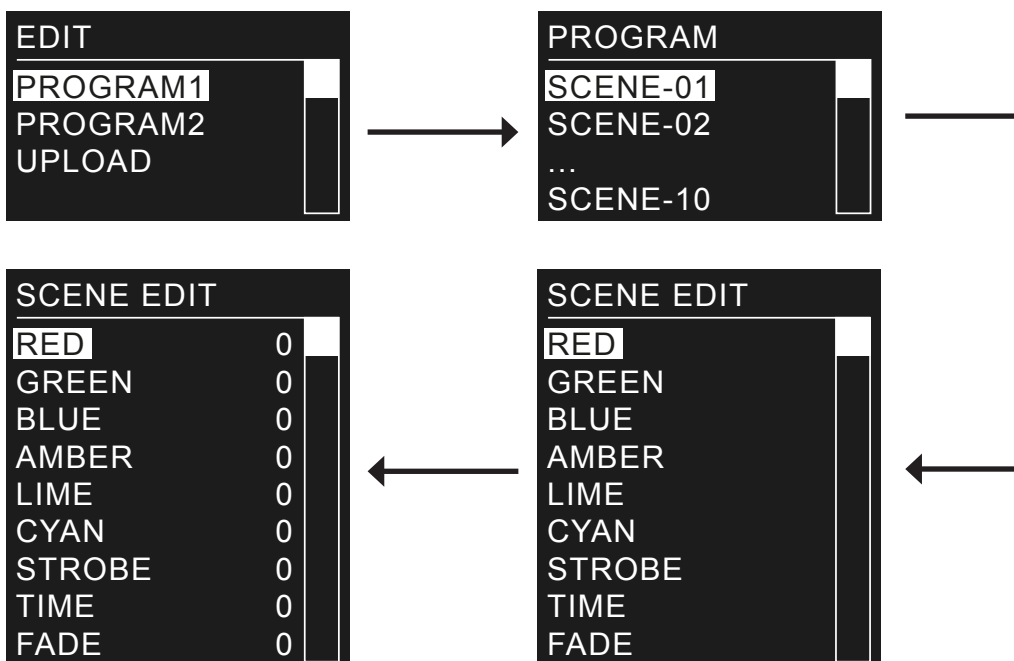


Edit settings:

To access the fixtures settings menu, press the “MENU” button and use the “UP” and “DOWN” buttons until “EDIT” is highlighted on the LCD display. Press the “ENTER” button and use the “UP” and “DOWN” buttons to select between “PROGRAM1”, “PROGRAM2” or “UPLOAD” then press the “ENTER” button, and use the “UP” and “DOWN” buttons to select the “SCENE” between 01-10.

Press the “ENTER” button and use the “UP” and “DOWN” buttons to select “RED”, “GREEN”, “BLUE”, “AMBER”, “LIME”, “CYAN”, “STROBE”, “TIME” or “FADE” then press the “ENTER” button, and use the “UP” and “DOWN” buttons to select between “0” and “255”.

Press the “ENTER” button to confirm the setting.

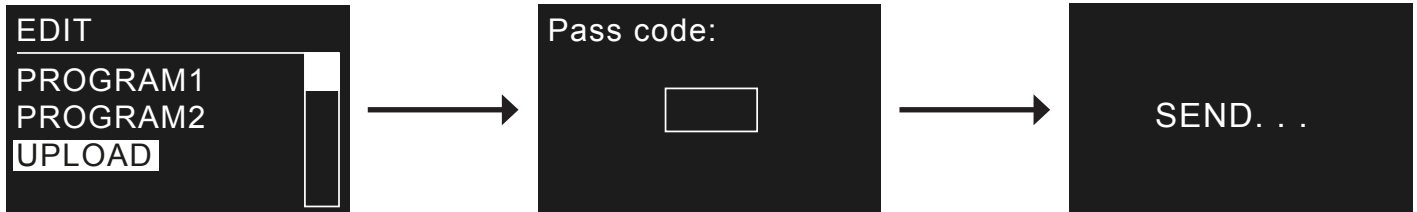


Upload setting:

This setting allows custom programs to be sent to Slave fixtures.

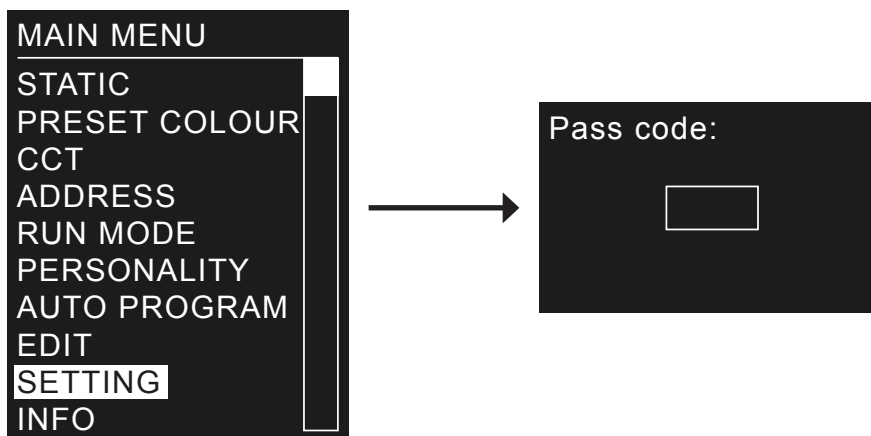
To access the fixtures upload setting, use the “UP” and “DOWN” buttons to select “UPLOAD”.

Press the “ENTER” button. “Pass code” will now be displayed and a button press combination will need to be entered. To do this press the buttons in the following order; “UP”, “DOWN”, “UP”, “DOWN”, “ENTER”. The unit will display “SEND. . .” and the front lens will illuminate yellow whilst exporting to the slave units. The front lens will turn green if the export has completed successfully. If there are any problems whilst exporting the front lens will turn red.



Settings menu:

To access the fixtures settings menu, press the “MENU” button and use the “UP” and “DOWN” buttons until “SETTING” is highlighted on the LCD display. Press the “ENTER” button. “Pass code” will now be displayed and a button press combination will need to be entered. To do this press the buttons in the following order; “UP”, “DOWN”, “UP”, “DOWN”, “ENTER”. You can now access the sub menus as described below.



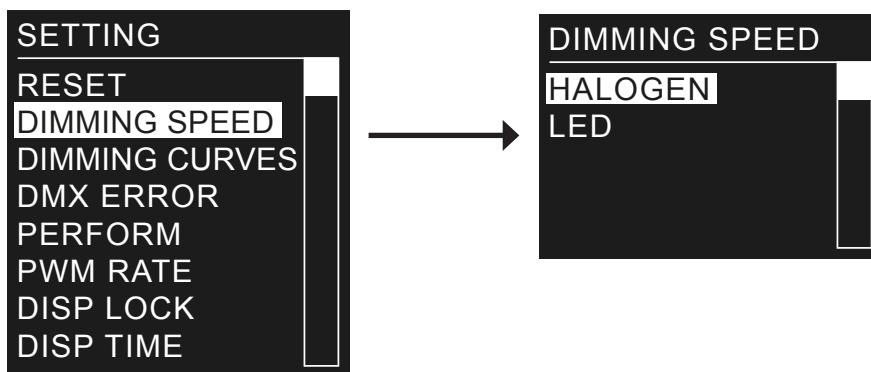
Reset setting:

To access the fixtures reset setting, use the “UP” and “DOWN” buttons to select “RESET”. Press the “ENTER” button. “Pass code” will now be displayed and a button press combination will need to be entered. To do this press the buttons in the following order; “UP”, “DOWN”, “UP”, “DOWN”, “ENTER”. The unit will display “RESET. . .” and the fixtures settings will return to the factory settings.



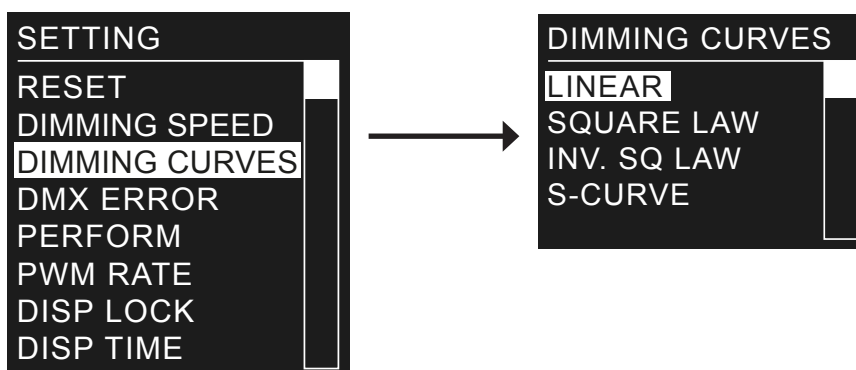
Dimming speed setting:

To access the dimming speed setting, use the “UP” and “DOWN” buttons to select “DIMMING CURVES”. Press the “ENTER” button and use the “UP” and “DOWN” buttons to select between “HALOGEN” or “LED”. Press the “ENTER” button to confirm the setting.



Dimming curve setting:

To access the dimming speed setting, use the “UP” and “DOWN” buttons to select “DIMMING CURVES”. Press the “ENTER” button and use the “UP” and “DOWN” buttons to select between “LINEAR”, “SQUARE LAW”, “INV. SQ LAW”, and “S-CURVE”. Press the “ENTER” button to confirm the setting.



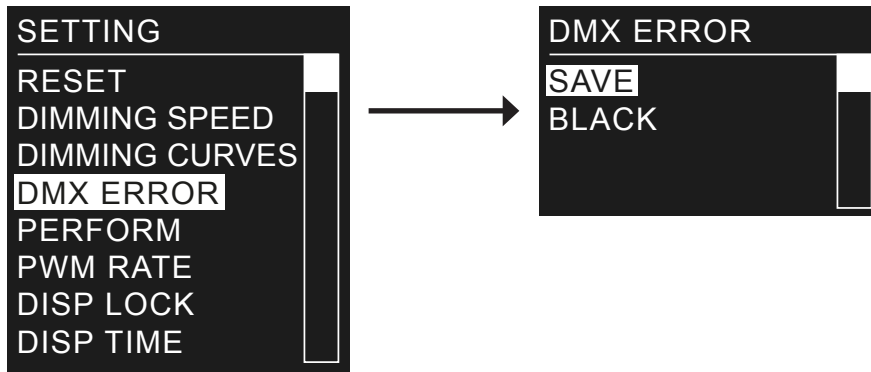
DMX error setting:

To access the DMX error setting, use the “UP” and “DOWN” buttons to select “DMX ERROR”. Press the “ENTER” button and use the “UP” and “DOWN” buttons to select between “SAVE” and “BLACK”.

Press the “ENTER” button to confirm the setting.

SAVE - The fixture will remember the last DMX signal.

BLACK - The fixture will blackout when the DMX signal is lost.

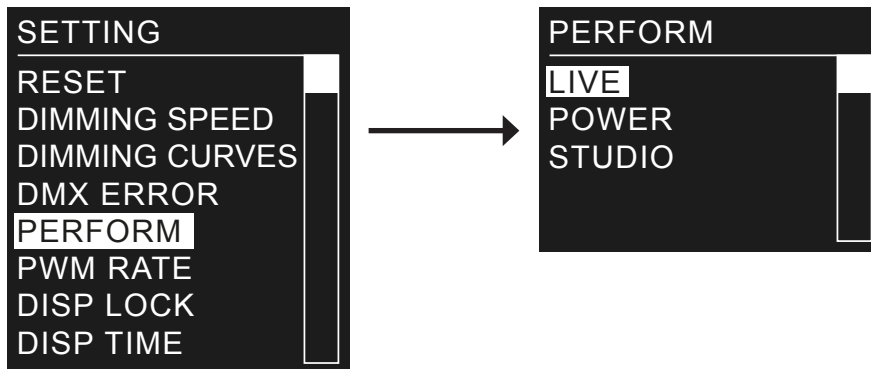


Perform (fan) setting:

To access the perform setting, use the “UP” and “DOWN” buttons to select “PERFORM”.

Press the “ENTER” button and use the “UP” and “DOWN” buttons to select between “LIVE”, “POWER” and “STUDIO”.

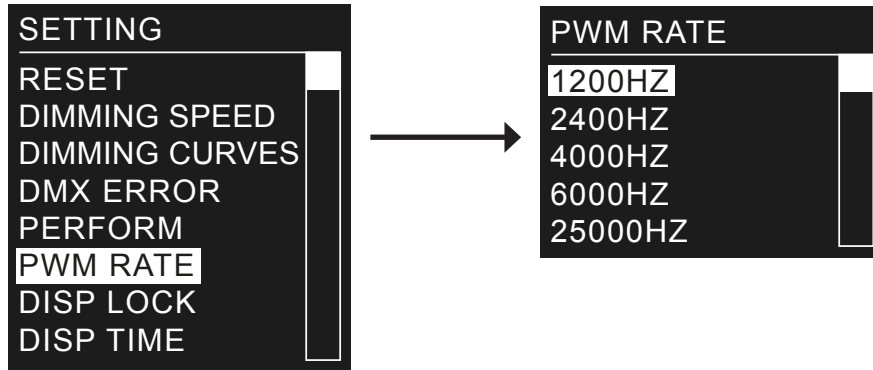
Press the “ENTER” button to confirm the setting.



PWM rate setting (refresh rate):

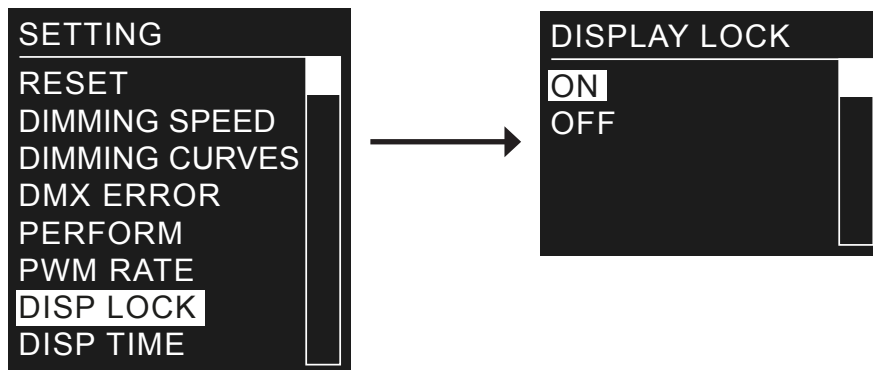
This setting allows the refresh rate to be adjusted.

To access the PWM rate setting, use the “UP” and “DOWN” buttons to select “PWM RATE”. Press the “ENTER” button and use the “UP” and “DOWN” buttons to select between “120Hz”, “2400Hz”, “4000Hz”, “6000Hz”, and “25000Hz”. Press the “ENTER” button to confirm the setting.



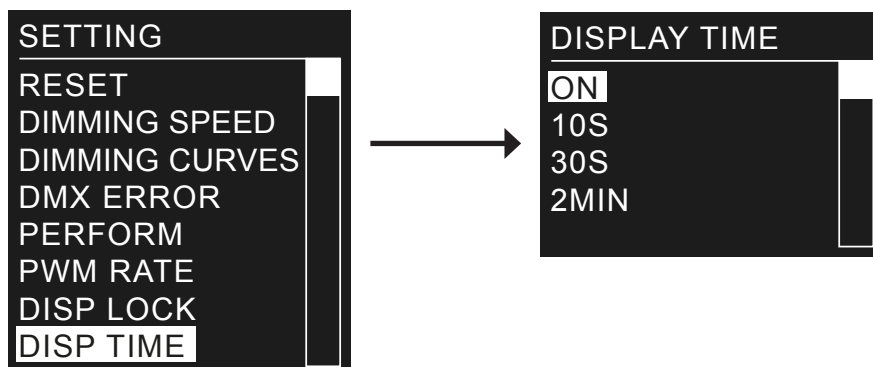
Display lock setting:

To access the display lock setting, use the “UP” and “DOWN” buttons to select “DISPLAY LOCK”. Press the “ENTER” button and use the “UP” and “DOWN” buttons to select between “ON”, and “OFF”. Press the “ENTER” button to confirm the setting.



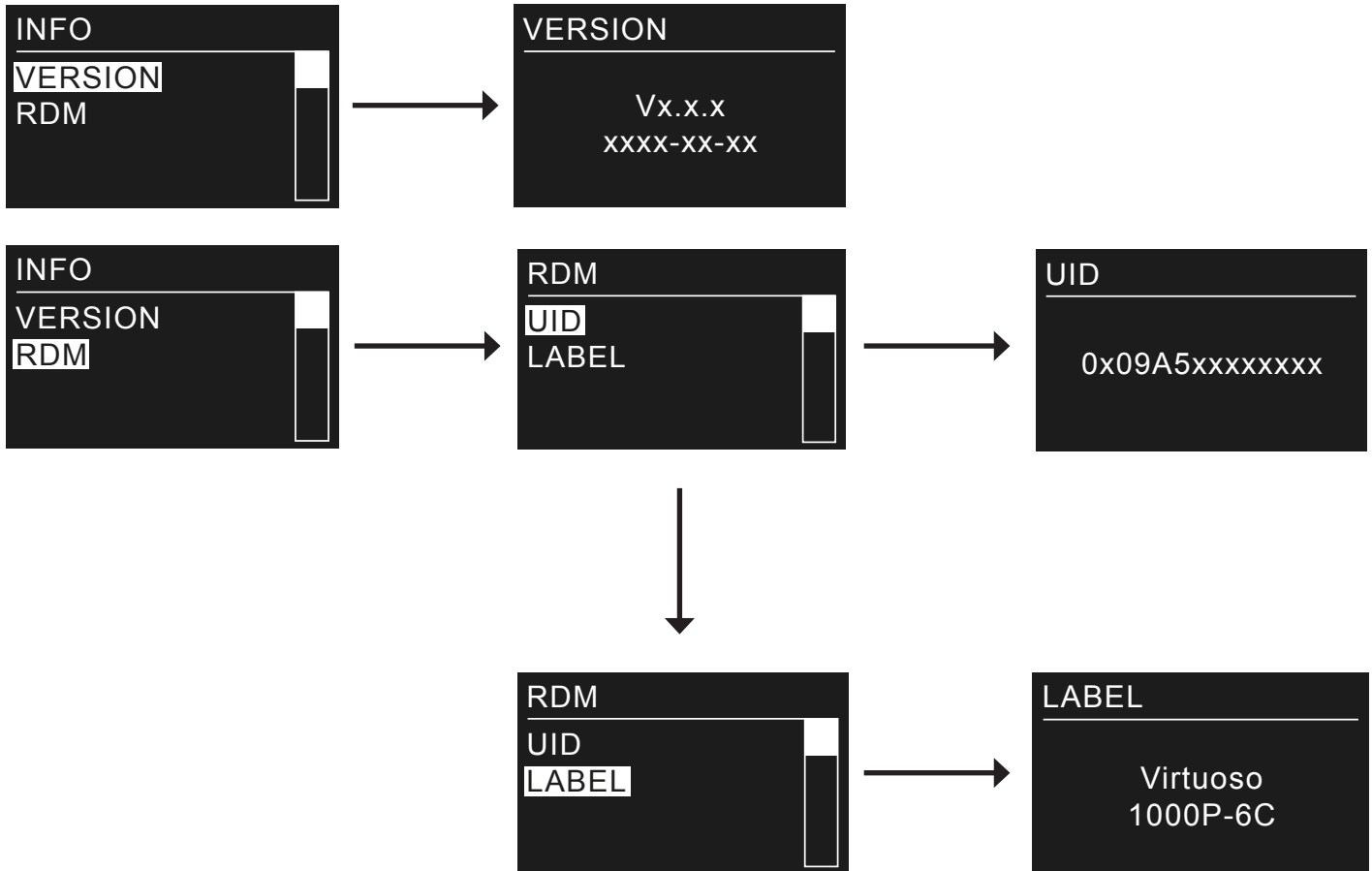
Display time setting:

To access the display time setting, use the “UP” and “DOWN” buttons to select “DISPLAY TIME”. Press the “ENTER” button and use the “UP” and “DOWN” buttons to select between “ON”, “10S”, “30S” and “2MIN”. Press the “ENTER” button to confirm the setting.



Fixture information:

To access the fixture information press the “ENTER” button and use the “UP” and “DOWN” buttons until “INFO” is highlighted on the LCD display. Press the “ENTER” button and use the “UP” and “DOWN” buttons to select between “VERSION” and “RDM”. If VERSION is highlighted press the “ENTER” button and the version number and manufacture date will be displayed. If RDM is highlighted, press the “ENTER” button and use the “UP” and “DOWN” buttons to select between “UID” and “LABEL”. If UID is highlighted press the “ENTER” button and the fixtures RDM UID will be displayed. If LABEL is highlighted press the “ENTER” button and the model number will be displayed.



Colour temperature preset values:

CCT	Values					
	R	G	B	A	L	C
1800K	244	112	72	255	182	84
2200K	199	113	95	255	185	124
2700K	183	115	111	255	187	188
3000K	187	122	126	255	198	216
3200K	184	125	135	255	203	225
4000K	157	128	161	255	208	241
4500K	149	131	176	252	212	255
5000K	138	129	182	244	208	255
5600K	131	127	185	227	205	255
6000K	123	125	191	225	203	255
6500K	117	124	194	218	201	255
7000K	115	123	197	215	200	255
8000K	108	120	198	201	194	255
10000K	96	118	205	195	191	255

Preset colours:

	Description			DMX Values
Preset colours	Blackout	No Function	Blackout	000-010
	Colour 1	L176	Loving Amber	011-015
	Colour 2	R40	Light Salmon	016-200
	Colour 3	L24	Scarlet	021-025
	Colour 4	L164	Flame Red	026-030
	Colour 5	L747	Easy White	031-035
	Colour 6	R303	Warm Peach	036-040
	Colour 7	L08	Dark Salmon	041-045
	Colour 8	L25	Sunset Red	046-050
	Colour 9	L04	Medium Bastard Amber	051-055
	Colour 10	L237	CID (To Tungsten)	056-060
	Colour 11	R321	Soft Golden Amber	061-065
	Colour 12	L652	Urban Sodium	066-070
	Colour 13	L212	LCT Yellow(Y1)	071-075
	Colour 14	L765	LEE Yellow	076-080
	Colour 15	L513	Ice And A Slice	081-085
	Colour 16	L100	Spring Yellow	086-090
	Colour 17	L244	LEE Plus Green	091-095
	Colour 18	R4430	CalColor 30 Green	096-100
Colour 19	L122	Fern Green	101-105	

Preset colours (cont.):

	Description			DMX Values
Preset colours	Colour 20	L90	Dark Yellow Green	106-110
	Colour 21	L243	LEE Fluorescent 3600K	111-115
	Colour 22	R92	Tuiquoise	116-120
	Colour 23	R94	Kelly Green	121-125
	Colour 24	L327	Forest Green	126-130
	Colour 25	L191	Cosmetic Aqua Blue	131-135
	Colour 26	L728	Steel Green	136-140
	Colour 27	L117	Steel Blue	141-145
	Colour 28	L354	Special Steel Blue	146-150
	Colour 29	L53	Paler Lavender	151-155
	Colour 30	L501	New Colour Blue	156-160
	Colour 31	L174	Dark Steel Blue	161-165
	Colour 32	L165	Daylight Blue	166-170
	Colour 33	L136	Pale Lavender	171-175
	Colour 34	L194	Surprise Pink	176-180
	Colour 35	L142	Pale Violet	181-185
	Colour 36	L700	Perfect Lavender	186-190
	Colour 37	L35	Light Pink	191-195
	Colour 38	L794	Pretty'n Pink	196-200
	Colour 39	L328	Follies Pink	201-205
	Colour 40	L795	Magical Magenta	206-210
	Colour 41	L154	Pale Rose	211-215
	Colour 42	L127	Smokey Pink	216-220
	Colour 43	L192	Flesh Pink	221-225
	Colour 44	L332	Special Rose Pink	226-230
	Colour 45	L790	Moroccan Pink	231-235
	Colour 46	L157	Pink	236-240
	Colour 47	R332	Cherry Rose	241-245
	Colour 48	L128	Cool LED Bright Pink	246-250
Blackout	No Function	Blackout	251-255	

3 channel mode (BASIC):

Channel	Value	Function
CH1	000-255	Master dimmer (0-100%)
CH2	PRESET COLOUR	
	000-010	No function
	011-255	Preset colour (See pages 19-20)
CH3	CCT	
	000-009	No function
	010-024	1800K
	025-039	2200K
	040-054	2700K
	055-069	3000K
	070-084	3200K
	085-099	4000K
	100-255	4500K
	115-009	5000K
	130-080	5600K
	145-160	6000K
	160-240	6500K
	175-255	7000K
	190-255	8000K
205-255	10000K	

8 channel mode (SSP):

Channel	Value	Function
CH1	000-255	Master dimmer (0-100%)
CH2	000-255	Red dimmer (0-100%)
CH3	000-255	Green dimmer (0-100%)
CH4	000-255	Blue dimmer (0-100%)
CH5	000-255	Amber dimmer (0-100%)
CH6	000-255	Lime dimmer (0-100%)
CH7	000-255	Cyan dimmer (0-100%)
CH8	STROBE	
	000-009	No function
	010-099	Strobe (slow-fast)
	100-109	No function
	110-179	Lightning strobe
	180-189	No function
	190-255	Random strobe

7 channel mode (HSIC):

Channel	Value	Function	
CH1	000-255	Master dimmer (0-100%)	
CH2	000-255	Hue	
CH3	000-255	Hue fine	
CH4	000-255	Saturation	
CH5	CCT		
	000-009	No function	
	010-024	1800K	
	025-039	2200K	
	040-054	2700K	
	055-069	3000K	
	070-084	3200K	
	085-099	4000K	
	100-255	4500K	
	115-009	5000K	
	130-080	5600K	
	145-160	6000K	
	160-240	6500K	
	175-255	7000K	
	190-255	8000K	
	205-255	10000K	
	CH6	STROBE	
		000-009	No function
010-099		Strobe (slow-fast)	
100-109		No function	
110-179		Lightning strobe	
180-189		No function	
190-255	Random strobe		

		CONTROL (Hold for 3 secs)	
CH7	000-010	No function	
	011-020	Live	
	021-030	Studio	
	031-040	Power	
	041-060	No function	
	061-070	Dimming speed halogen	
	071-080	Dimming speed LED	
	081-100	No function	
	101-110	Linear	
	111-120	Square law	
	121-130	Inv. sq law	
	131-140	S-Curve	
	141-160	No function	
	161-170	1200Hz	
	171-180	2400Hz	
	191-190	4000Hz	
	191-200	6000Hz	
	201-210	25000Hz	
	211-230	No function	
	231-240	All reset	
241-255	No function		

13 channel mode (TOUR):

Channel	Value	Function
CH1	000-255	Master dimmer (0-100%)
CH2	000-255	Red dimmer (0-100%)
CH3	000-255	Green dimmer (0-100%)
CH4	000-255	Blue dimmer (0-100%)
CH5	000-255	Amber dimmer (0-100%)
CH6	000-255	Lime dimmer (0-100%)
CH7	000-255	Cyan dimmer (0-100%)
CH8	PRESET COLOUR	
	000-010	No function
	011-255	Preset colour (See pages 19-20)
CH9	CCT	
	000-009	No function
	010-024	1800K
	025-039	2200K
	040-054	2700K
	055-069	3000K
	070-084	3200K
	085-099	4000K
	100-255	4500K
	115-009	5000K
	130-080	5600K
	145-160	6000K
	160-240	6500K
	175-255	7000K
	190-255	8000K
	205-255	10000K
CH10	AUTO	
	000-040	No function
	041-050	Auto1
	051-060	Auto2
	061-070	Auto3
	071-080	Auto4
	081-090	Auto5
	091-100	Auto6
	101-110	Auto7
	111-120	Auto8
	121-130	Auto9
	131-140	Auto10
	141-150	Custom1
	151-160	Custom2
	161-255	No function

CH11	000-255	Auto speed adjustment
CH12	STROBE	
	000-009	No function
	010-099	Strobe (slow-fast)
	100-109	No function
	110-179	Lightning strobe
	180-189	No function
	190-255	Random strobe
CH13	CONTROL (Hold for 3 secs)	
	000-010	No function
	011-020	Live
	021-030	Studio
	031-040	Power
	041-060	No function
	061-070	Dimming speed halogen
	071-080	Dimming speed LED
	081-100	No function
	101-110	Linear
	111-120	Square law
	121-130	Inv. sq law
	131-140	S-Curve
	141-160	No function
	161-170	1200Hz
	171-180	2400Hz
	191-190	4000Hz
	191-200	6000Hz
	201-210	25000Hz
	211-230	No function
231-240	All reset	
241-255	No function	

10 channel mode (CMY):

Channel	Value	Function
CH1	000-255	Master dimmer (0-100%)
CH2	000-255	Cyan dimmer (0-100%)
CH3	000-255	Magenta dimmer (0-100%)
CH4	000-255	Yellow dimmer (0-100%)
CH5	PRESET COLOUR	
	000-010	No function
	011-255	Preset colour (See pages 19-20)
CH6	CCT	
	000-009	No function
	010-024	1800K
	025-039	2200K
	040-054	2700K
	055-069	3000K
	070-084	3200K
	085-099	4000K
	100-255	4500K
	115-009	5000K
	130-080	5600K
	145-160	6000K
	160-240	6500K
	175-255	7000K
	190-255	8000K
	205-255	10000K
CH7	AUTO	
	000-040	No function
	041-050	Auto1
	051-060	Auto2
	061-070	Auto3
	071-080	Auto4
	081-090	Auto5
	091-100	Auto6
	101-110	Auto7
	111-120	Auto8
	121-130	Auto9
	131-140	Auto10
	141-150	Custom1
	151-160	Custom2
	161-255	No function

CH8	000-255	Auto speed adjustment
CH9	STROBE	
	000-009	No function
	010-099	Strobe (slow-fast)
	100-109	No function
	110-179	Lightning strobe
	180-189	No function
	190-255	Random strobe
CH10	CONTROL (Hold for 3 secs)	
	000-010	No function
	011-020	Live
	021-030	Studio
	031-040	Power
	041-060	No function
	061-070	Dimming speed halogen
	071-080	Dimming speed LED
	081-100	No function
	101-110	Linear
	111-120	Square law
	121-130	Inv. sq law
	131-140	S-Curve
	141-160	No function
	161-170	1200Hz
	171-180	2400Hz
	191-190	4000Hz
	191-200	6000Hz
	201-210	25000Hz
	211-230	No function
231-240	All reset	
241-255	No function	

20 channel mode (TR16):

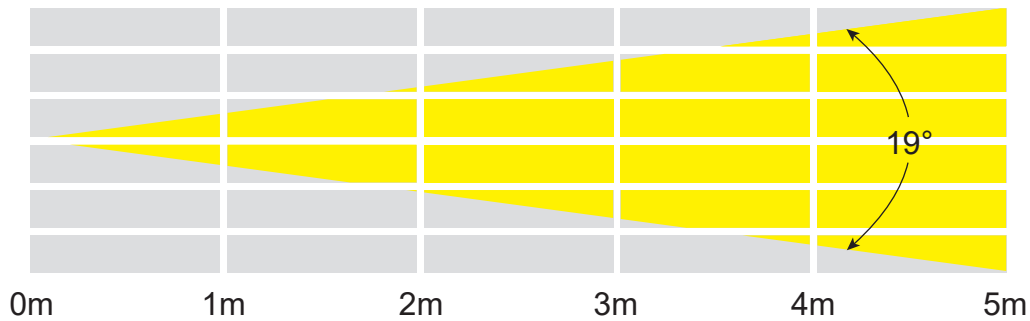
Channel	Value	Function
CH1	000-255	Master dimmer (0-100%)
CH2	000-255	Dimmer fine (0-100%)
CH3	000-255	Red dimmer (0-100%)
CH4	000-255	Red fine (0-100%)
CH5	000-255	Green dimmer (0-100%)
CH6	000-255	Green fine (0-100%)
CH7	000-255	Blue dimmer (0-100%)
CH8	000-255	Blue fine (0-100%)
CH9	000-255	Amber dimmer (0-100%)
CH10	000-255	Amber fine (0-100%)
CH11	000-255	Lime dimmer (0-100%)
CH12	000-255	Lime fine (0-100%)
CH13	000-255	Cyan dimmer (0-100%)
CH14	000-255	Cyan fine (0-100%)
CH815	PRESET COLOUR	
	000-010	No function
	011-255	Preset colour (See pages 19-20)
CH16	CCT	
	000-009	No function
	010-024	1800K
	025-039	2200K
	040-054	2700K
	055-069	3000K
	070-084	3200K
	085-099	4000K
	100-255	4500K
	115-009	5000K
	130-080	5600K
	145-160	6000K
	160-240	6500K
	175-255	7000K
	190-255	8000K
205-255	10000K	
CH17	AUTO	
	000-040	No function
	041-050	Auto1
	051-060	Auto2
	061-070	Auto3
	071-080	Auto4
	081-090	Auto5

CH17 (cont.)	091-100	Auto6
	101-110	Auto7
	111-120	Auto8
	121-130	Auto9
	131-140	Auto10
	141-150	Custom1
	151-160	Custom2
	161-255	No function
CH18	000-255	Auto speed adjustment
CH19	STROBE	
	000-009	No function
	010-099	Strobe (slow-fast)
	100-109	No function
	110-179	Lightning strobe
	180-189	No function
	190-255	Random strobe
CH20	CONTROL (Hold for 3 secs)	
	000-010	No function
	011-020	Live
	021-030	Studio
	031-040	Power
	041-060	No function
	061-070	Dimming speed halogen
	071-080	Dimming speed LED
	081-100	No function
	101-110	Linear
	111-120	Square law
	121-130	Inv. sq law
	131-140	S-Curve
	141-160	No function
	161-170	1200Hz
	171-180	2400Hz
	191-190	4000Hz
	191-200	6000Hz
	201-210	25000Hz
	211-230	No function
231-240	All reset	
241-255	No function	

19° Fixed Lens

19° - Lux

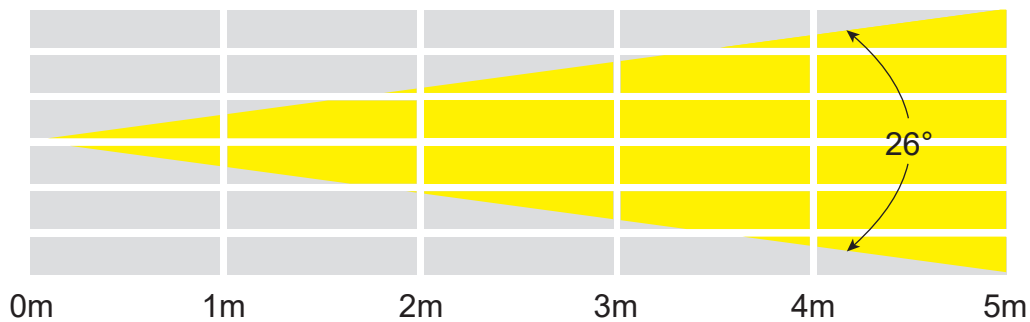
FULL ON	120420	30105	13380	7526	4816
R	17692	4423	1965	1105	707
G	26048	6512	2894	1628	1041
B	3420	855	380	213	136
A	17044	4261	1893	1065	681
L	45876	11469	5097	2867	1835
C	12316	3079	1368	769	492



26° Fixed Lens

26° - Lux

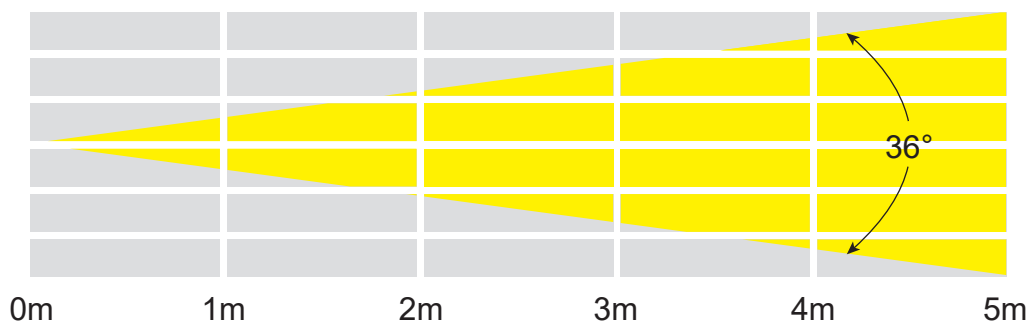
FULL ON	92300	23075	10255	5768	3692
R	12716	3179	1412	794	508
G	20716	5179	2301	1294	828
B	2096	524	232	131	83.8
A	17000	4250	1888	1062	680
L	36908	9227	4100	2306	1476
C	7888	1972	876	493	315



36° Fixed Lens

36° - Lux

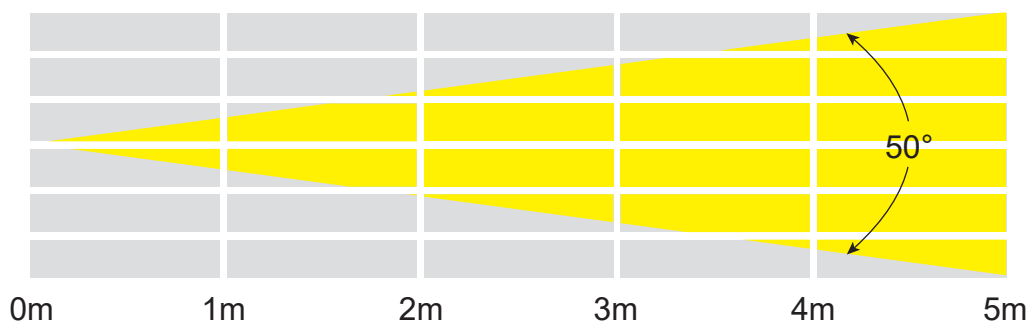
FULL ON	56020	14005	6224	3501	2240
R	6820	1705	757	426	272
G	11352	2838	1261	709	454
B	1216	304	135	76	48.6
A	13680	3420	1520	855	547
L	22280	5570	2475	1392	891
C	4292	1073	476	268	171



50° Fixed Lens

50° - Lux

FULL ON	33572	8393	3730	2098	1342
R	4376	1094	486	273	175
G	6612	1653	734	413	264
B	668	167	74.2	41.7	26.7
A	6068	1517	674	379	242
L	13728	3432	1525	858	549
C	2512	628	279	157	100



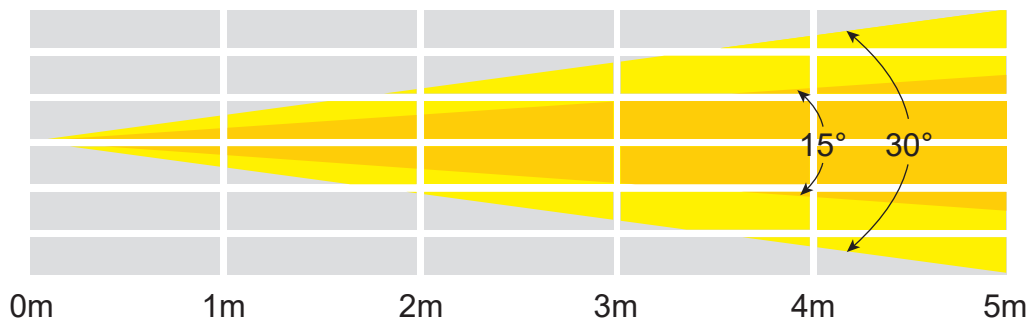
15-30° Fixed Lens

15° - Lux

FULL ON	186076	46519	20675	11629	7443
R	24252	6063	2694	1515	970
G	40684	10171	4520	2542	1627
B	5124	1281	569	320	204
A	27784	6946	3087	1736	1111
L	66560	16640	7395	4160	2662
C	17876	4469	1986	1117	715

30° - Lux

FULL ON	64508	16127	7167	4031	2580
R	9012	2253	1001	563	360
G	14428	3607	1603	901	577
B	1764	441	196	110	70.5
A	9540	2385	1060	596	381
L	24600	6150	2733	1537	984
C	6664	1666	740	416	266



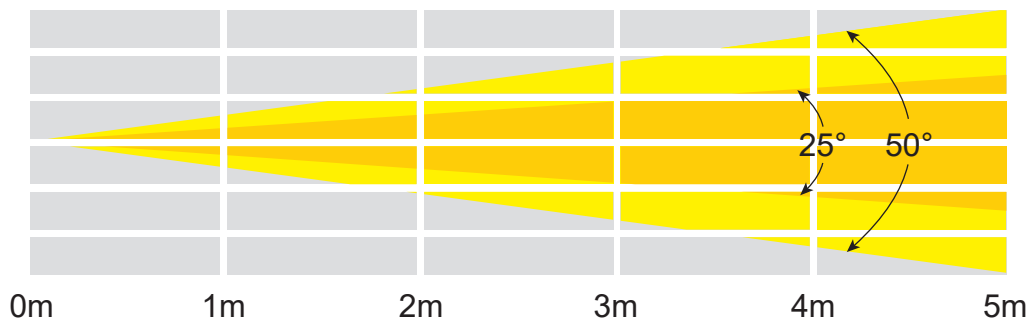
25-50° Fixed Lens

25° - Lux

FULL ON	80372	20093	8930	5023	3214
R	9076	2269	1008	567	363
G	16168	4042	1769	1010	646
B	1828	457	203	114	73.1
A	14152	3538	1572	884	566
L	32968	8242	3663	2060	1318
C	6436	1609	715	402	257

50° - Lux

FULL ON	32660	8165	3628	2041	1306
R	4236	1059	470	264	169
G	6832	1708	759	427	273
B	688	172	76.4	43	27.5
A	5624	1406	624	351	224
L	13112	3278	1456	819	524
C	2476	619	275	154	99



Setting the DMX address:

The DMX mode enables the use of a universal DMX controller. Each fixture requires a “start address” from 1- 512. A fixture requiring one or more channels for control begins to read the data on the channel indicated by the start address. For example, a fixture that occupies or uses 7 channels of DMX and was addressed to start on DMX channel 100, would read data from channels: 100, 101, 102, 103, 104, 105 and 106. Choose a start address so that the channels used do not overlap. E.g. the next unit in the chain starts at 107.

DMX 512:

DMX (Digital Multiplex) is a universal protocol used as a form of communication between intelligent fixtures and controllers. A DMX controller sends DMX data instructions from the controller to the fixture. DMX data is sent as serial data that travels from fixture to fixture via the DATA “IN” and DATA “OUT” XLR terminals located on all DMX fixtures (most controllers only have a data “out” terminal).

DMX linking:

DMX is a language allowing all makes and models of different manufactures to be linked together and operate from a single controller, as long as all fixtures and the controller are DMX compliant. To ensure proper DMX data transmission, when using several DMX fixtures try to use the shortest cable path possible. The order in which fixtures are connected in a DMX line does not influence the DMX addressing. For example; a fixture assigned to a DMX address of 1 may be placed anywhere in a DMX line, at the beginning, at the end, or anywhere in the middle. When a fixture is assigned a DMX address of 1, the DMX controller knows to send DATA assigned to address 1 to that unit, no matter where it is located in the DMX chain.

DATA cable (DMX cable) requirements (for DMX operation):

This fixture can be controlled via DMX-512 protocol. The DMX address is set on the back of the unit. Your unit requires either a standard 3-pin or 5-pin XLR connector for data input/output, see images below.



Further DMX cables can be purchased from all good sound and lighting suppliers or Prolight Concepts dealers.

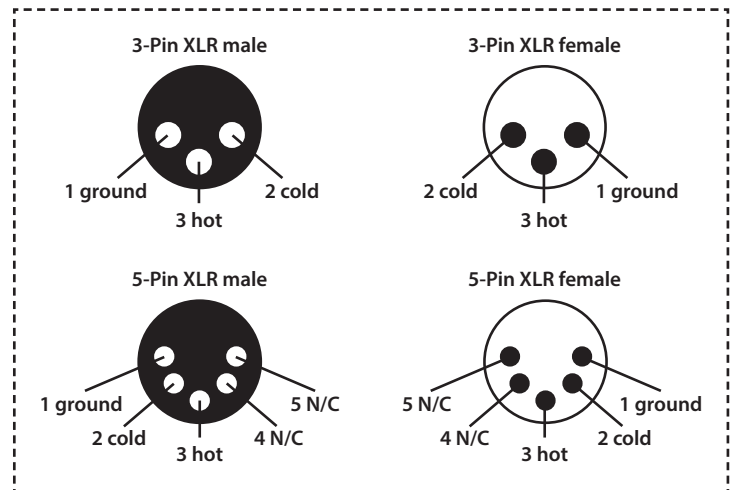
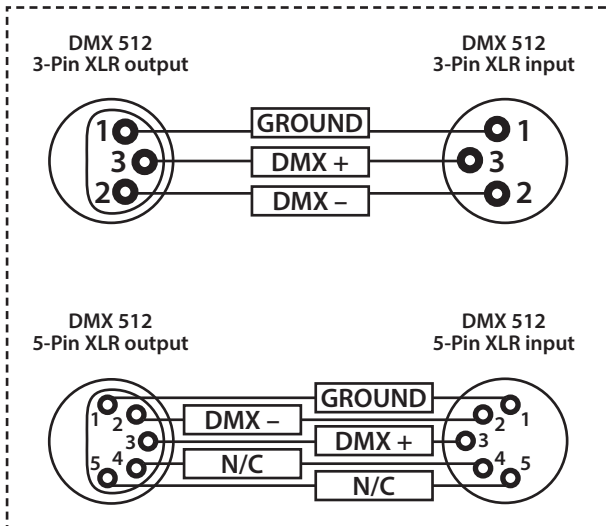
Please quote:	3-Pin:	CABL10 - 2m	CABL11 - 5m	CABL12 - 10m
	5-Pin:	CABL185 - 2m	CABL187 - 5m	CABL188 - 10m

Also remember that DMX cable must be daisy chained and cannot be split.

Notice:

Be sure to follow the diagrams below when making your own cables. Do not connect the cables shield conductor to the ground lug or allow the shield conductor to come in contact with the XLRs outer casing. Grounding the shield could cause a short circuit and erratic behaviour.

Pin Configuration	
3-Pin	5-Pin
	Pin 1 - Ground
	Pin 2 - Negative
	Pin 3 - Positive
-	Pin 4 - N/C
-	Pin 5 - N/C

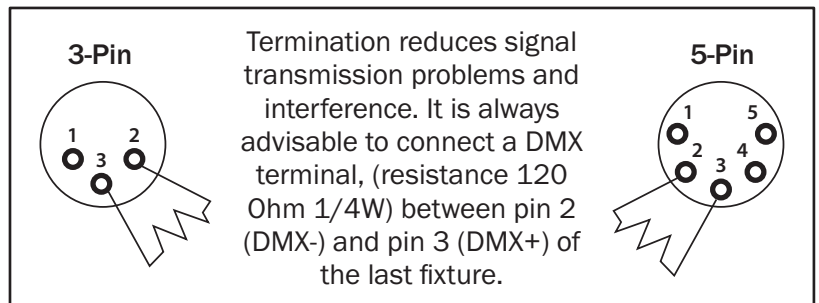


Line termination:

When longer runs of cable are used, you may need to use a terminator on the last unit to avoid erratic behaviour.

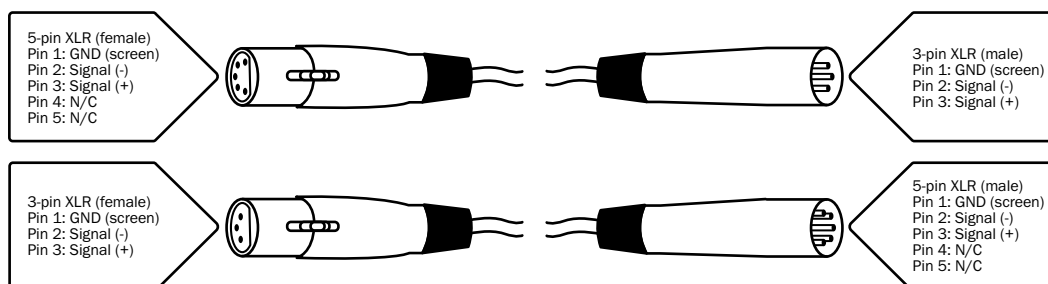
Using a cable terminator will decrease the possibilities of erratic behaviour.

(3-pin - Order ref: CABL90,
5-pin - Order ref: CABL89)



5-pin XLR DMX connectors:

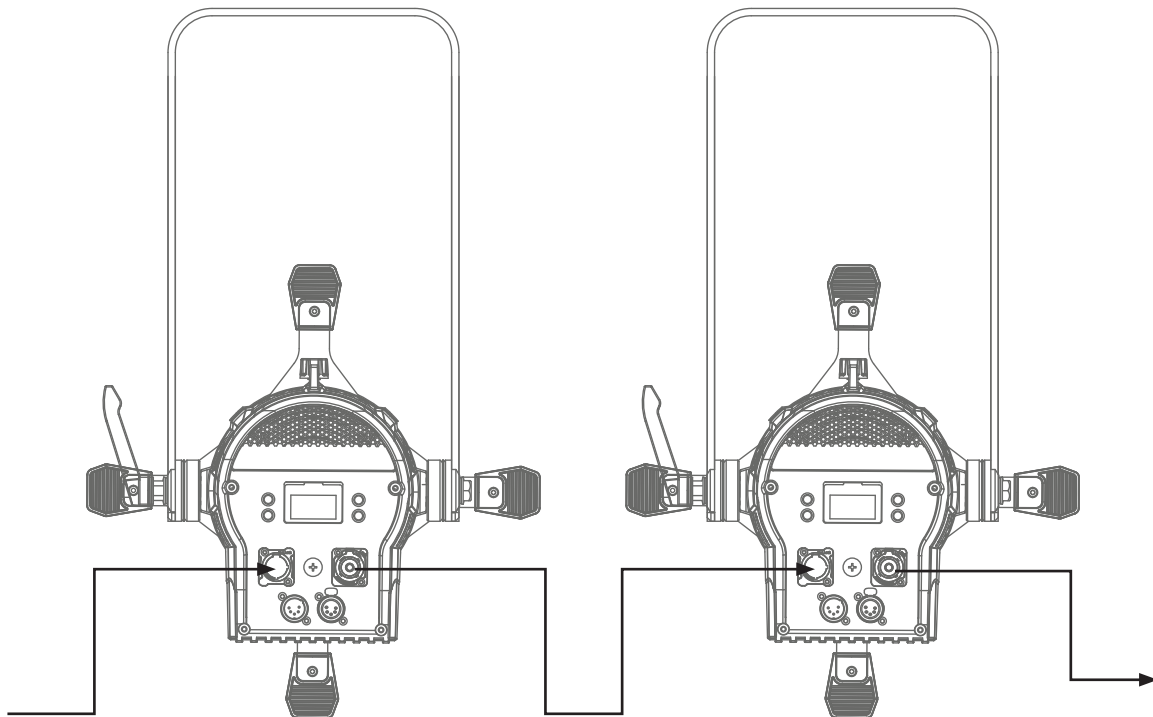
Some manufactures use 5-pin XLR connectors for data transmission in place of 3-pin. 5-pin XLR fixtures may be implemented in a 3-pin XLR DMX line. When inserting standard 5-pin XLR connectors in to a 3-pin line a cable adaptor must be used. The diagram below details the correct cable conversion.



Power linking:

This fixture provides power linking via the power output on the rear allowing multiple units to be connected together. The maximum number of fixtures that can be connected is 4 fixtures @ 240V or 2 fixtures @ 120V (including the first fixture). After the maximum number of fixtures are connected a new power run will need to be started.

Please note: Caution should be used when power linking other fixtures to the Virtuoso 1000 Profile as the power consumption of other fixtures will vary. Fixtures fitted with lamps often require 2/3 times more current on startup, these may require their own power source.





***Correct Disposal of this Product
(Waste Electrical & Electronic Equipment)***

**(Applicable in the European Union and other European countries
with separate collection systems)**

This marking shown on the product or its literature, indicates that it should not be disposed with other household wastes at the end of its working life. To prevent possible harm to the environment or human health from uncontrolled waste disposal, please separate this from other types of wastes and recycle it responsibly to promote the sustainable reuse of material resources.

Household users should contact either the retailer where they purchased this product, or their local government office, for details of where and how they can take this item for environmentally safe recycling.

Business users should contact their supplier and check the terms and conditions of the purchase contract. This product should not be mixed with other commercial wastes for disposal.

