

# elumen8

## **Cygnus WP2 User Manual**



**Order codes: ELUM260**

### WARNING

#### FOR YOUR OWN SAFETY, PLEASE READ THIS USER MANUAL CAREFULLY BEFORE YOUR INITIAL START-UP!

- Before your initial start-up, please make sure that there is no damage caused during transportation.
- Should there be any damage, consult your dealer and do not use the equipment.
- To maintain the equipment in good working condition and to ensure safe operation, it is necessary for the user to follow the safety instructions and warning notes written in this manual.
- Please note that damages caused by user modifications to this equipment are not subject to warranty.



#### IMPORTANT:

The manufacturer will not accept liability for any resulting damages caused by the non-observance of this manual or any unauthorised modification to the equipment.

- Never remove warning or informative labels from the unit.
  - Do not open the equipment and do not modify the unit.
  - Do not switch the equipment on and off in short intervals, as this will reduce the system's life.
  - Only use the equipment indoors.
  - Do not expose to flammable sources, liquids or gases.
  - Make sure that the cable is never crimped or damaged. Check the equipment and the cable periodically.
  - If the equipment is dropped or damaged, disconnect immediately and have a qualified engineer inspect the equipment before operating again.
  - If the equipment has been exposed to drastic temperature fluctuation (e.g. after transportation), do not connect power or switch it on immediately. The arising condensation might damage the equipment.
- Leave the equipment switched off until it has reached room temperature.
- If your product fails to function correctly, stop use immediately. Pack the unit securely (preferably in the original packing material), and return it to your Pro Light dealer for service.
  - THIS UNIT CONTAINS NO USER SERVICEABLE PARTS.
  - This fixture is for professional use only - it is not designed for or suitable for household use. The product must be installed by a qualified technician in accordance with local territory regulations. The safety of the installation is the responsibility of the installer. The fixture presents risks of severe injury or death due to fire hazards, electric shock and falls.
  - WARRANTY: Two years from date of purchase.

#### OPERATING DETERMINATIONS

If this equipment is operated in any other way, than those described in this manual, the product may suffer damage and the warranty becomes void. Incorrect operation may lead to danger e.g: short-circuit, burns and electric shocks etc.

Do not endanger your own safety and the safety of others!

Incorrect installation or use can cause serious damage to people and/or property.

### Cygnus WP2

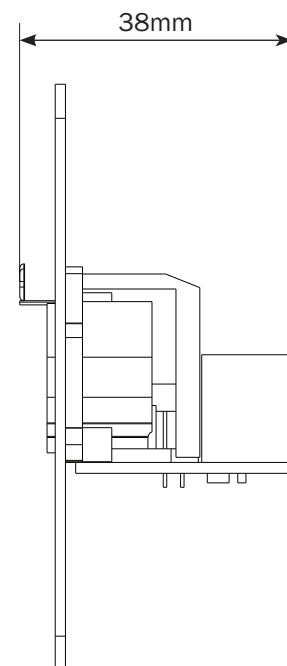
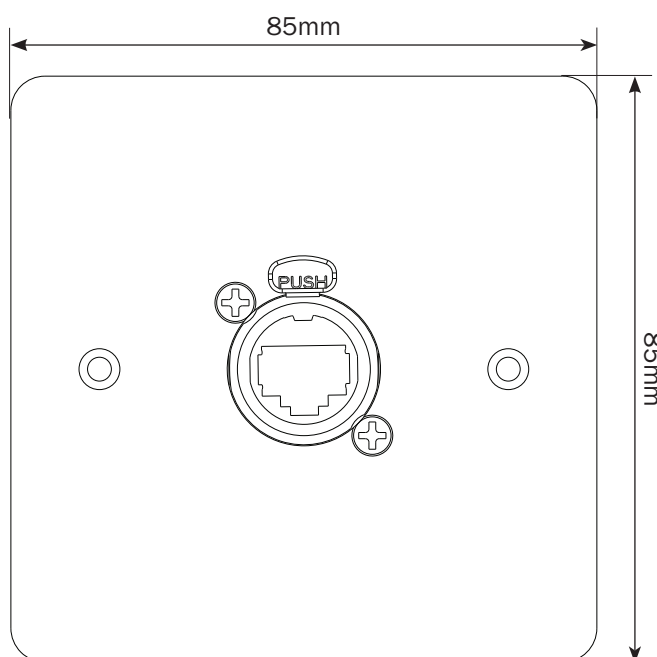
The Elumen8 Cygnus Series is a comprehensive range of advanced data-management solutions engineered to meet the demands of modern lighting networks. Designed with professional users in mind, the series includes DMX splitters, DMX mergers, Art-Net nodes, and sleek wall-plate interfaces, each crafted to simplify complex system layouts while maximising control efficiency. Whether you're expanding a theatre's infrastructure, integrating robust data routing for live production, or building a permanent architectural installation, Cygnus delivers.

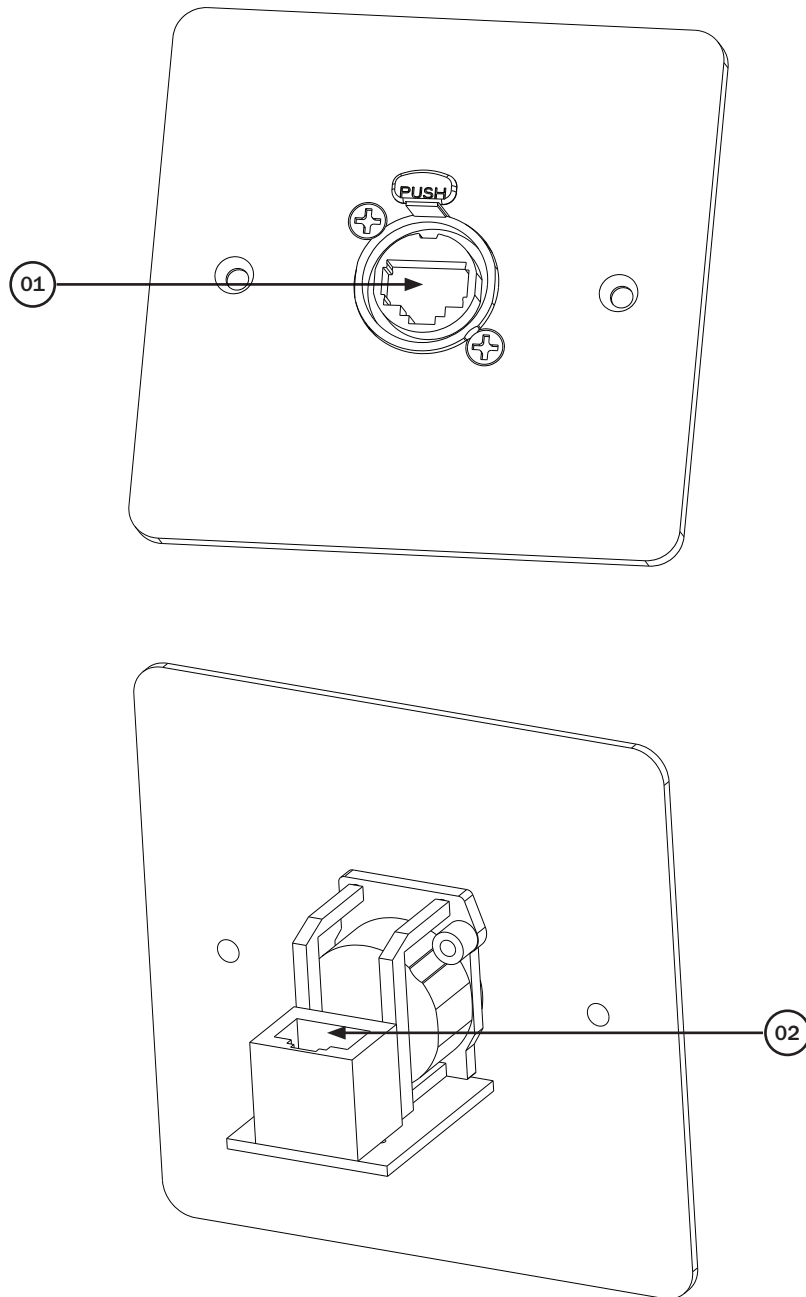
The WP2 Ethernet Wall Plate provides a Seetronic etherCON compatible ethernet socket in a 85 x 85mm wall plate designed to be easily integrated into any DMX infrastructure.

- 1 x Seetronic etherCON compatible ethernet socket
- 1 x RJ45 passthrough
- Powder coated, aluminium chassis



Specifications	Cygnus WP2
Dimensions (H x W x D)	85 x 85 x 38mm
Weight	0.1kg
Order code	ELUM260





01 - RJ45 passthrough

02 - Seetronic etherCON input

In the box: **1 x WP2**



***Correct Disposal of this Product  
(Waste Electrical & Electronic Equipment)***

**(Applicable in the European Union and other European countries  
with separate collection systems)**

This marking shown on the product or its literature, indicates that it should not be disposed with other household wastes at the end of its working life. To prevent possible harm to the environment or human health from uncontrolled waste disposal, please separate this from other types of wastes and recycle it responsibly to promote the sustainable reuse of material resources.

Household users should contact either the retailer where they purchased this product, or their local government office, for details of where and how they can take this item for environmentally safe recycling.

Business users should contact their supplier and check the terms and conditions of the purchase contract. This product should not be mixed with other commercial wastes for disposal.

This notice does not imply a requirement for the product to be returned to the manufacturer or supplier, disposal should be carried out via appropriate authorised recycling facilities in accordance with local regulations.

