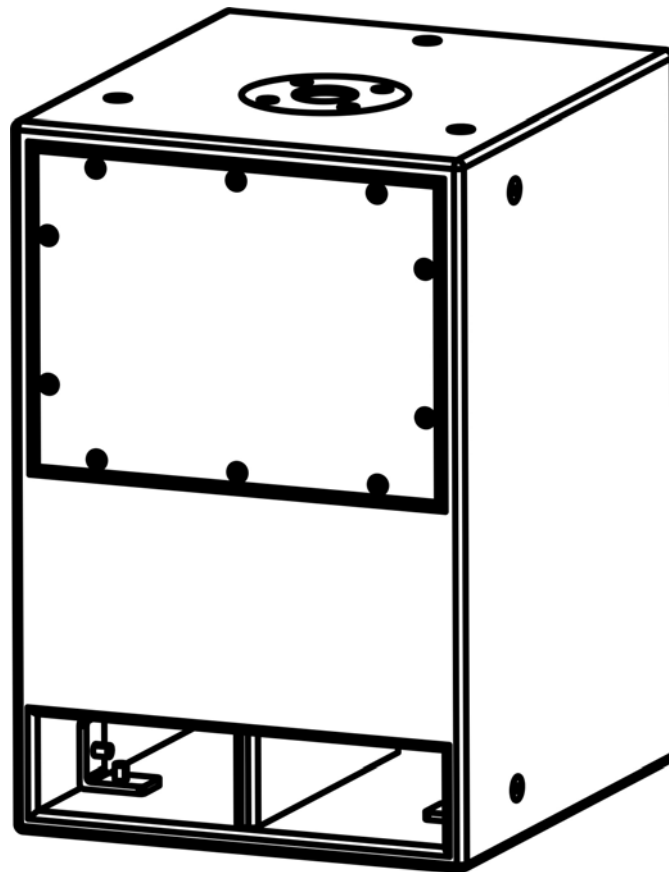




Professional Loudspeaker

Epic Sub112



USER MANUAL

Professional Loudspeaker Technology

CONTENTS	Page No
1. INTRODUCTION	2
2. FEATURES	2
3. CARE & MAINTENANCE	3
4. TECHNICAL SPECIFICATIONS	4
5. PRODUCT DISPOSAL	5



1. INTRODUCTION

Thank you for purchasing this W Audio professional loudspeaker product. The Epic Sub112 loudspeaker is a portable bass reflex enclosure, featuring a very efficient 10” long –throw bass speaker with high power 65 mm voice coil. It is designed for a variety of portable sound reinforcement and club applications.

2. FEATURES

- 1. MDF trapezoid cabinet with scratch-resistance textured paint.**
- 2. High intensity cabinet construction.**
- 3. 10” high power LF speaker.**
- 4. Crossover: passive – 12db octave, 180HZ.**
- 5. Hole with a diameter of 35mm for satellite use.**
- 6. 11 x M8 flying points**

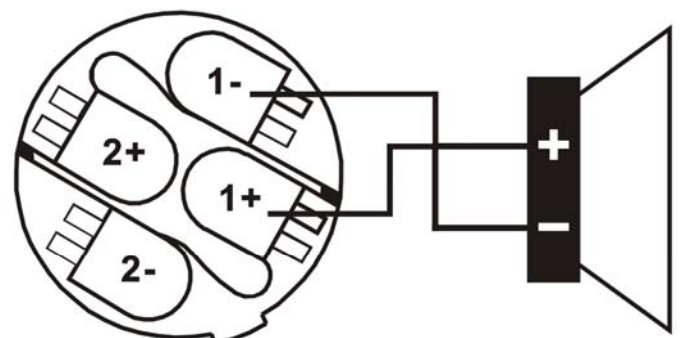
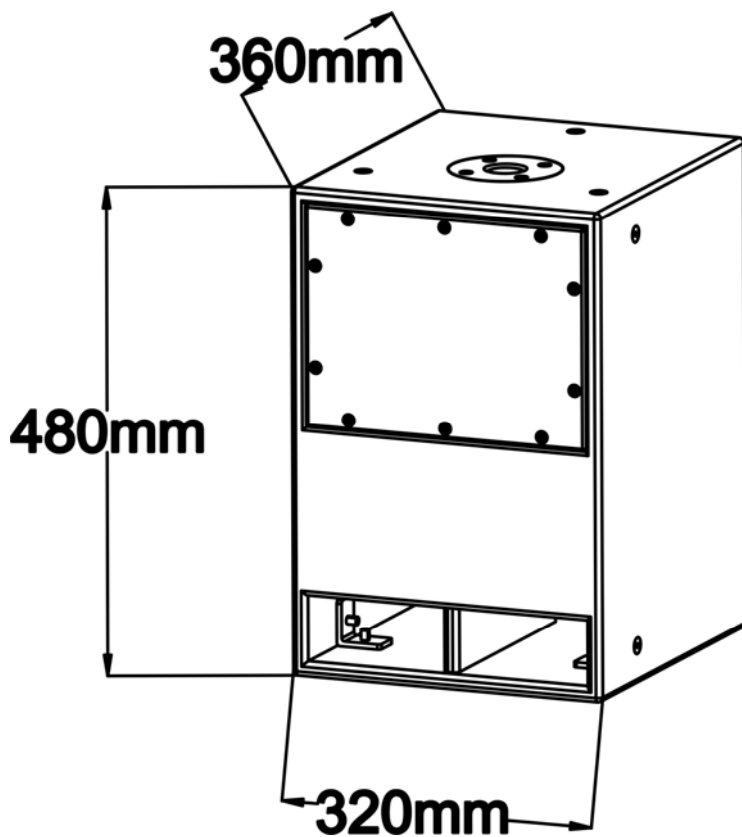
3. CARE & MAINTENANCE

- 1) Do not use this speaker near water.**
- 2) Clean only with dry cloth.**
- 3) Do not block any ventilation openings. Install in accordance with the instructions.**
- 4) Do not install near any heat sources such as radiators, stoves, or other apparatus (including amplifiers) that produce heat.**
- 5) Protect the power cable from being walked on or pulled particularly at plugs.**
- 6) Only use attachments or accessories specified by the manufacturer.**
- 7) Do not connect this speaker during lightning storms or when being unused for a long period.**
- 8) Choose a suitable cable for the loudspeaker, cable which is too small will not give a high output.**

4.

TECHNICAL SPECIFICATIONS

Model:	Epic Sub112
Woofer:	1 x10" subwoofer (Ferrite)
Power (AES):	500W
Power(RMS)	250W
Recommended amps into(8ohm)	200W-400W
Impedance:	8 Ω
Sensitivity(1W/m) f>100Hz:	96dB
Max sound Pressure at 1m:	120dB continuous, 123dB peak
Crossover	Passive - 12db /octave, 180HZ
Frequency response:	50Hz-----150Hz
Cabinet	15mm MDF
Accessory	11x M8 flying points
Dimensions (W x D x H)	320 x 360 x 480 mm
Net weight	14Kg



1+/1-: 
 2+/2-: NC
 SPEAKON WIRE CONNECTION

English**Correct Disposal of This Product
(Waste Electrical & Electronic Equipment)**

(Applicable in the European Union and other European countries with separate collection systems)

This marking shown on the product or its literature, indicates that it should not be disposed with other household wastes at the end of its working life. To prevent possible harm to the environment or human health from uncontrolled waste disposal, please separate this from other types of wastes and recycle it responsibly to promote the sustainable reuse of material resources.

Household users should contact either the retailer where they purchased this product, or their local government office, for details of where and how they can take this item for environmentally safe recycling.

Business users should contact their supplier and check the terms and conditions of the purchase contract. This product should not be mixed with other commercial wastes for disposal.

Specification is subject to change without prior notice.