



SDPROBTX 3-Channel Silent Disco Bluetooth Transmitter

User Manual



Order code: HF006

WARNING

FOR YOUR OWN SAFETY, PLEASE READ THIS USER MANUAL CAREFULLY BEFORE YOUR INITIAL START-UP!

- Before your initial start-up, please make sure that there is no damage caused during transportation.
- Should there be any damage, consult your dealer and do not use the equipment.
- To maintain the equipment in good working condition and to ensure safe operation, it is necessary for the user to follow the safety instructions and warning notes written in this manual.
- Please note that damages caused by user modifications to this equipment are not subject to warranty.



IMPORTANT:

The manufacturer will not accept liability for any resulting damages caused by the non-observance of this manual or any unauthorised modification to the equipment.

- Never let the power cable come into contact with other cables. Handle the power cable and all mains voltage connections with particular caution!
- Never remove warning or informative labels from the unit.
- Do not open the equipment and do not modify the unit.
- Do not connect this equipment to a dimmer pack.
- Do not switch the equipment on and off in short intervals, as this will reduce the system's life.
- Only use the equipment in dry conditions.
- Do not expose to flammable sources, liquids or gases.
- Always disconnect the power from the mains when equipment is not in use or before cleaning! Only handle the power-cable by the plug. Never pull out the plug by pulling the power-cable.
- Make sure that the supply voltage 12V DC, 1.3A. (100-240V AC~50-60Hz power supply included)
- Make sure that the power cable is never crimped or damaged. Check the equipment and the power cable periodically.
- If the equipment is dropped or damaged, disconnect the mains power supply immediately and have a qualified engineer inspect the equipment before operating again.
- Repairs, servicing and power connection must only be carried out by a qualified technician. THIS UNIT CONTAINS NO USER SERVICEABLE PARTS.
- If the equipment has been exposed to drastic temperature fluctuation (e.g. after transportation), do not connect power or switch it on immediately. The arising condensation might damage the equipment. Leave the equipment switched off until it has reached room temperature.
- If your product fails to function correctly, stop use immediately. Pack the unit securely (preferably in the original packing material), and return it to your Pro Light dealer for service.
- This product is for professional use only - it is not designed for or suitable for household use. The product must be installed by a qualified technician in accordance with local territory regulations.
- WARRANTY: One year from date of purchase.
- Please note: Batteries are deemed consumable items which are warrantied against manufacturer defects for 90 days from date of purchase. Batteries have limited recharge cycles and may eventually need to be replaced by a Prolight authorised service centre. Battery life and charge cycles vary by usage and settings. Battery performance in service may be subject to a number of factors including temperature, battery age and power draw.

OPERATING DETERMINATIONS

If this equipment is operated in any other way, than those described in this manual, the product may suffer damage and the warranty becomes void. Incorrect operation may lead to danger e.g: short-circuit, burns and electric shocks etc.

Do not endanger your own safety and the safety of others!

Incorrect installation or use can cause serious damage to people and/or property.

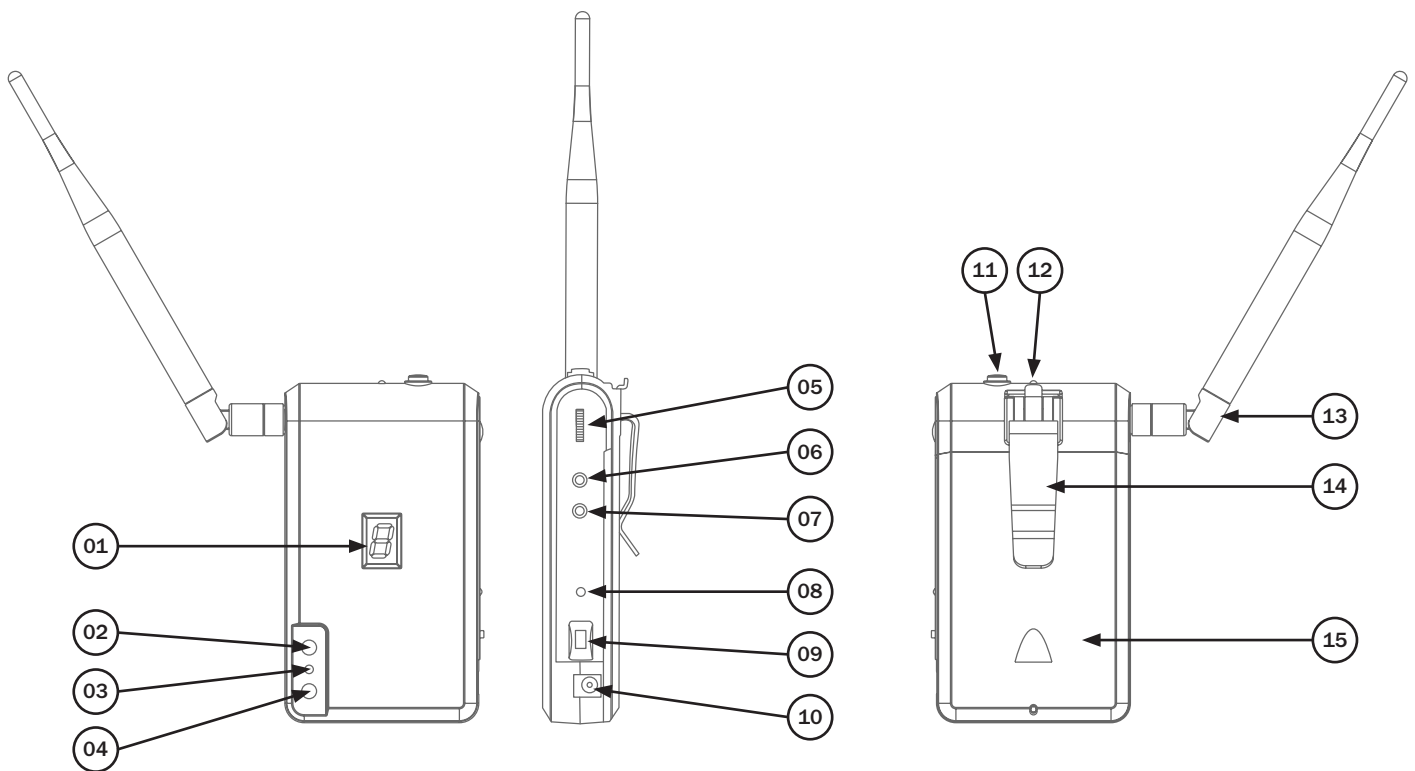
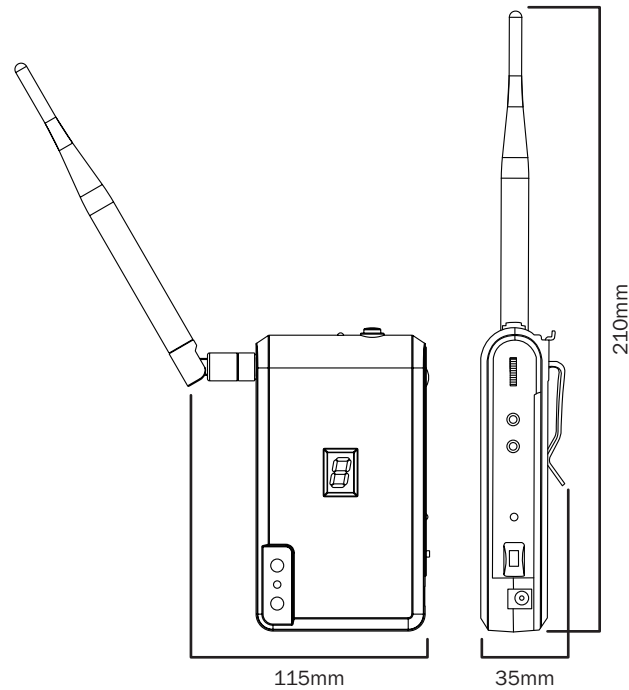
SDPROBTX 3-Channel Silent Disco Bluetooth Transmitter

Take your silent disco anywhere with this handy battery powered, bluetooth capable UHF transmitter; for use with the W Audio SDPRO silent disco headphones. There is no limit for the number of headphones receiving from each transmitter, up to three transmitters maybe used if each transmitter is switched to a different channel allowing up to three audio sources to be played back to the audience. The RF transmission system operates on 863-865Mhz in the license-free CH70 spectrum. This hands-free, wireless transmitter includes a headset microphone, which can be used to speak over the music to guests through the headsets; ideal for walking tours, conferences, yoga and work-out classes. The transmitter and accessories are supplied in a padded carry case.



- 3-channel bluetooth transmitter supplied with headset microphone
- FM modulated UHF RF system
- RF frequency: 863-865Mhz
- Mode: Stereo
- Range: Up to 300 meters
- Battery life: Up to 10 hours
- Charging time: 4 hours (full charge)
- Changing channel selector button
- Wireless and hands-free with belt clip
- Power supply: 12Vdc 1.3A (included)

Specifications	SDPROBTX 3-Channel Silent Disco Bluetooth Transmitter
Transmitter dimensions (H x W x D)	210 x 115 x 35mm
Transmitter weight	0.3kg
Dimensions in case (H x W x D)	60 x 260 x 190mm
Weight	0.8kg
Order code	HF006
Fixed frequency presets	863.1, 863.8, 864.9MHz



- 01 - LED channel display
- 02 - Channel switch button
- 03 - Bluetooth indicator light
- 04 - Bluetooth on/off button
- 05 - Microphone volume control
- 06 - Microphone input
- 07 - Audio input
- 08 - Charging status indicator
- 09 - Power on/off switch
- 10 - Power input
- 11 - Microphone switch button
- 12 - Microphone indicator light
- 13 - Aerial
- 14 - Belt clip
- 15 - Battery cover

In the box:
1 x bluetooth transmitter,
1 x headset microphone,
1 x 3.5mm to 3.5mm stereo jack cable
and 1 x AC charger cable

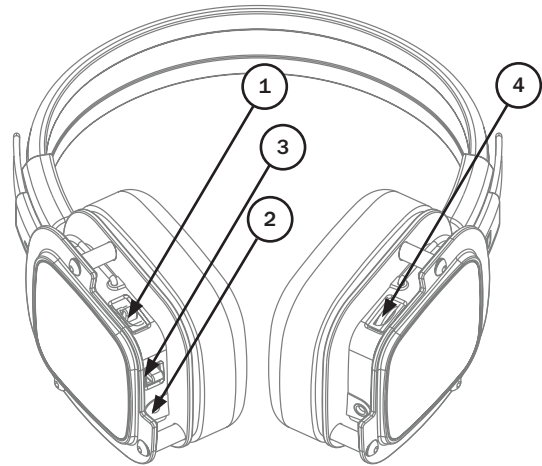
Headphone Charging:

Before initial use, the headphones (SDPRO - Order code: HF001) must be fully charged using either the USB charging cable supplied or the optional multi way charger (SDPROMC - Order code: HF003). The headphones should also be recharged after use and stored fully charged.

1. Connect the supplied charging cable or a multi charger to the charging jack (2) on the headphone.
2. While the headset is charging, the charge indicator light will illuminate Red, and then when the headphones are fully charged, they will turn green. The working time for a fully charged headphone is around 8-10 hours, however this maybe affected by external factors such as volume level, temperature, and battery age.
3. Batteries in the headphones are classed as a consumable item with a 90 day warranty. For replacement batteries please contact your local W Audio reseller.

Headphone Operation:

1. Slide the power switch (3) to the ON position
 2. Slide the channel selection switch (1) to select the desired channel, the headphones will illuminate Blue for CH1, Red for CH2 or Green for CH3.
 3. Adjust the volume control (4) to the desired listening level.
- CAUTION:** Listening to audio on headphones at too high a volume for too long can damage your hearing.
4. If no audio is received by the headphone from the transmitter, the headphones will mute after a short period of time.
 5. Once operation is completed, slide the power switch (3) to the OFF position.
 6. Recharge the battery and fold the headphones for storage.

**Headphone identification:**

1. Channel selection button
2. Charger jack
3. Power ON/OFF switch
4. Volume control

Transmitter Operation:

1. **Audio Source:** Connect the external audio source to the transmitters stereo line input via the 3.5mm Stereo socket (H). Switch on the external audio source and set the output to a standard line level taking care not to over drive the input.

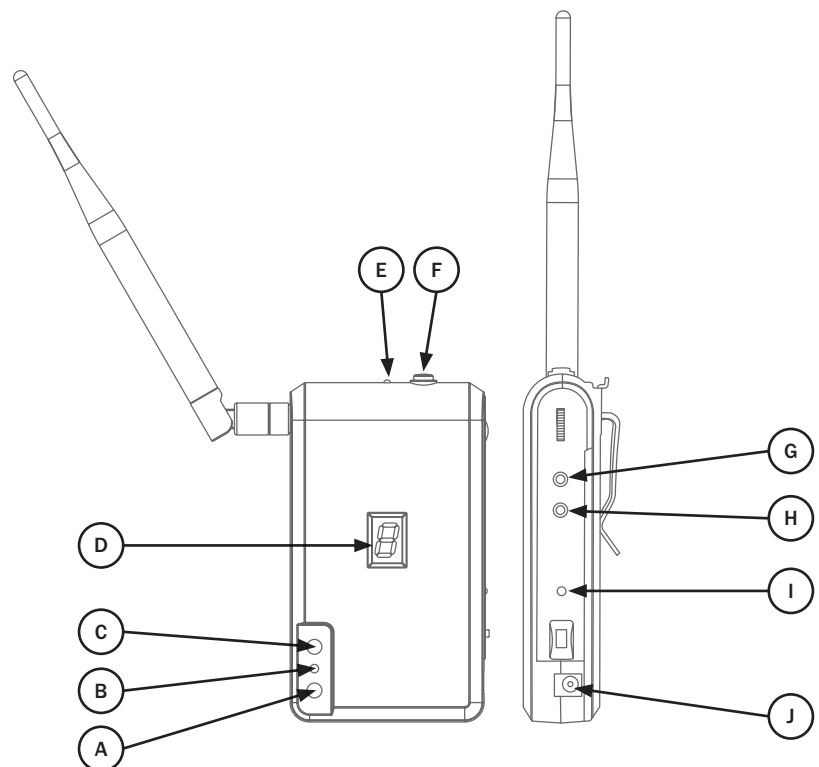
2. **Channel Selection:** You may operate up to three transmitters simultaneously if each one is set to a different channel. Select the transmit channel via the push button (C) on the front panel. This will then allow for three audio sources to be transmitted to the headphones such as three different DJ's. The selected transmit channel will be shown on the LCD display (D) on the front panel.

3. **Charging:** Connect the included 12Vdc 1.3A power supply (centre positive) to the DC socket (J), the charging status is displayed via the indicator LED (I), RED denotes charging while GREEN indicates fully charged. The system maybe operated while charging, however this may increase the charge time slightly.

4. **Microphone Input:** The transmitter maybe operated with a microphone connected to function either as a tour guide system or simply for voice announcements to the headset users. Plug in the microphone to the 3.5mm mono jack socket (G) and press the microphone on/off switch (F), when the light (E) is illuminated the microphone will be active, when the light is off the microphone will be off (muted).

5. **Bluetooth:** To switch on the Bluetooth operation, first ensure the transmitter is powered on then press and hold the Bluetooth power button (A) for three seconds to power on the Bluetooth function. The indicator LED (B) will illuminate as follows: BLUE = powered on with no connection, RED = Bluetooth powering off or BLUE/RED FLASHING to indicate ready to pair.

The Bluetooth input has priority over the 3.5mm stereo jack input (H), to activate the stereo jack input, press and hold the Bluetooth power button (A) for three seconds, the LED (B) will illuminate RED while the Bluetooth is powering down.

**Transmitter identification:**

- A. Bluetooth on/off button
- B. Bluetooth indicator light
- C. Channel switch button
- D. LED channel display
- E. Microphone indicator light
- F. Microphone switch button
- G. Microphone input
- H. Audio input
- I. Charging status indicator
- J. Power input

Battery Care and replacement:

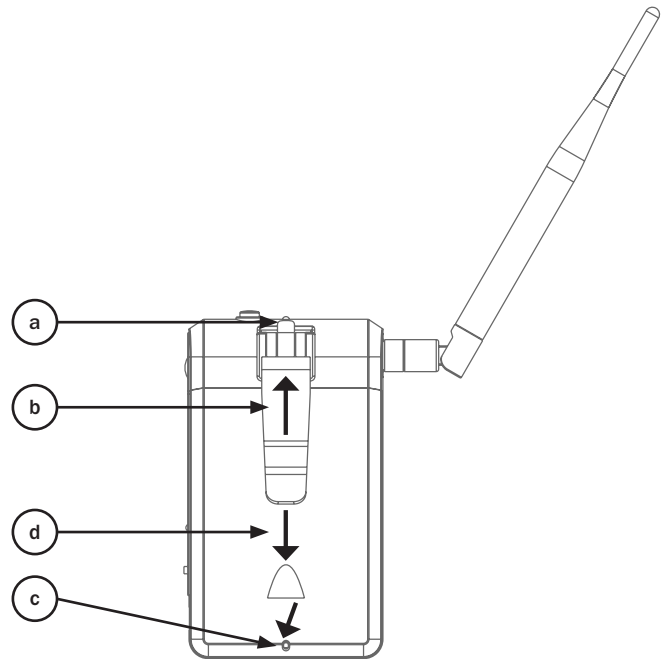
Batteries should be charged after each and every use. Do not store batteries in a partial charge state as this will affect the battery life.

Should the battery need to be removed or replaced please follow these instructions:

1. Pull on the small tab (a) and then push the belt clip (b) upwards to remove the belt clip.
2. Insert a small tool such as a screwdriver into the hole (c) as shown to push on the release clip inside and then slide the battery cover downwards to release (d).
3. Use a blunt, plastic tool to gently lever the battery out of the housing taking care not to damage the wires, or the battery. Gently unplug the battery wires.

Note: Use only genuine W-Audio replacement batteries. Defective batteries should be recycled using local facilities capable of handling and recycling batteries.

Battery Specifications: 7.4v 2500mAh





***Correct Disposal of this Product
(Waste Electrical & Electronic Equipment)***

**(Applicable in the European Union and other European countries
with separate collection systems)**

This marking shown on the product or its literature, indicates that it should not be disposed of with other household wastes at the end of its working life. To prevent possible harm to the environment or human health from uncontrolled waste disposal, please separate this from other types of wastes and recycle it responsibly to promote the sustainable reuse of material resources.

Household users should contact either the retailer where they purchased this product, or their local government office, for details of where and how they can take this item for environmentally safe recycling.

Business users should contact their supplier and check the terms and conditions of the purchase contract. This product should not be mixed with other commercial wastes for disposal.

