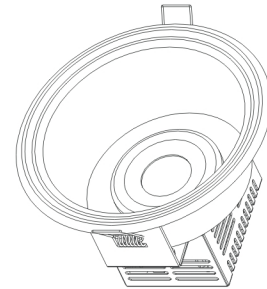




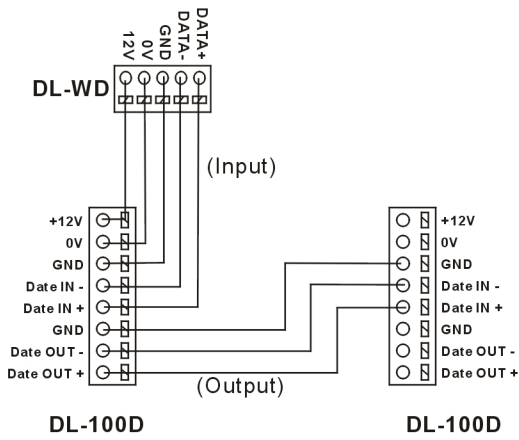
# LED Down Light



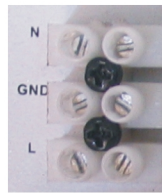
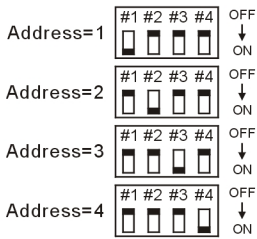
DL-100D CW DL-100D WW

## User Manual

Advanced LED Technology



### Power connection:



Three connectors, the middle one (GND) for earth, and the other two for N & L. Connect the power as shown above.

### Warning:

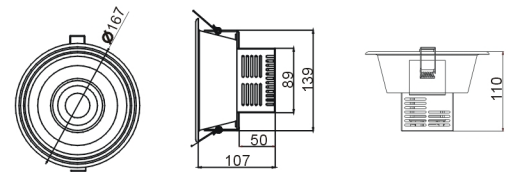
1. Rated max. Ambient temperature (TA)=40°C.
2. All safety instructions and warnings relating to installation and use of this product must be observed.
3. Electrical installation and service must be carried out by authorized and qualified technicians.

### Feature:

- High brightness with good efficiency and reliability.
- Make no image stacking.
- High efficient and stable power control unit with wide-range voltage and short circuit protection.
- Low-depth alloy housing with elegant design.
- A specially designed Wall Dimmer (DL-WD, option) for brightness adjustment.
- Frost lens for protecting eyes, and protecting LED from dusty.
- Perfect for the illumination of stores, hotels, restaurants, parking lot, shopping malls, etc.

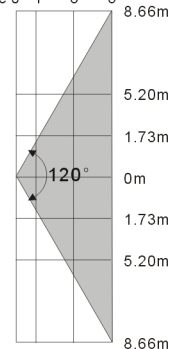
### Specification:

- **One Channel:** Dimmer
- **Light Source:** Multi-chip LED Module
- **LED Emitter:** 10W Cool White (DL-100D CW)  
10W Warm White (DL-100D WW)
- **Luminous flux:** 600 min./680 typ (DL-100D CW)  
500 min./600 typ (DL-100D WW)
- **LED Life Expectancy:** 20,000hrs
- **Color Temperature:** 5000-6500K (DL-100D CW)  
2600-3200K (DL-100D WW)
- **Power Supply:** 100-240V~50/60Hz
- **Power consumption:** 10W
- **Installation hole:** Ø 160 mm
- **Beam Angle:** 120°
- **Dimension:** Ø 167 X 110 mm
- **Weight:** 0.6kg



### Photometric:

WW	183	25	11 (Lux)	
CW	212	29	13 (Lux)	
Distance	0	1	3	5



### Installation

Connect the units with DL-WD (wall dimmer, sold separately) as the diagram shown below, set the address via the dip switch (only four address: #1=1, #2=2, #3=3, #4=4), and use the left knob to adjust the dimmer of the unit which dip switch 1 is on, and the right one to adjust the dimmer of the unit which dip switch 2 is on.

