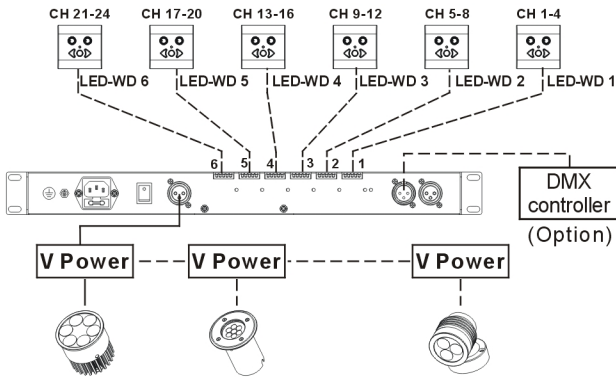
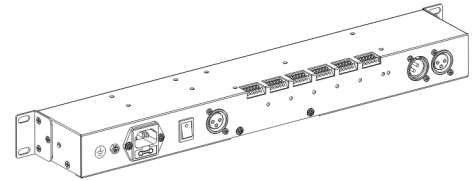


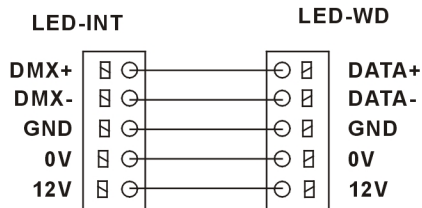
Please connect LED-WD and LED lights as the diagram below:



LED INTEGRATOR



Note: You can set the DMX address of the fixtures connected to the output (like V Power show above) from 1-4, 5-8, 9-12, 13-16, 17-20 or 21-24 according to your needs.



LED-INT

User Manual

Advanced LED Technology

Features

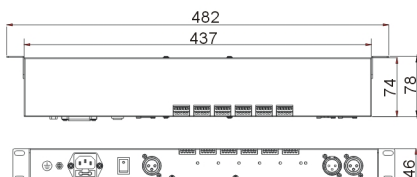
- LED integrator (LED-INT) is specially designed to work with LED Wall Dimmer (LED-WD, sold separately), it features 6 input (each input 4-ch, R, G, B, Dimmer) and one output: you can integrate the 6 inputs to one output. It will be very easy for your project installation.
- It provides power to LED-WD. When it links with LED-WD, it will provide power to the LED-WD.
- It can be controlled by DMX controller, and the DMX controller will take over the control from LED-WD.
- Perfect for Bars, hotels, Households, etc.

Technical Specifications

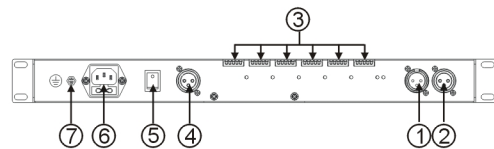
Power Input: 100-240V~50/60Hz

Dimension: 482X78X46 mm

Weight: 1.2kgs



Rear View



- ① DMX IN: input the DMX signal
- ② DMX THROUGH: DMX signal passes through the controller only
- ③ DMX IN 1-6: DMX input 1-6, each input for 4 channels
- ④ DMX OUT: output all signals (1-24)
- ⑤ POWER SWITCH: on/off the power
- ⑥ POWER SOCKET: for power input
- ⑦ FUSE: T 1A

Main Function

1. LED-INT can be used together with the LED-WD, the quantity of LED-Wall dimmer is up to 6 pieces. LED-INT will integrate the DMX signal. When linking with 6 pieces LED-WD, the LED-INT has a total of 24 channels output available for your convenience. 4 Channels per each LED-WD, 1-4 Channel is controlled by first LED-WD, 5-8 Channel is controller by second LED-WD, etc.
2. Use wide power input (100 ~ 240V), it can be used under the different power range. Do not need any power adapter, the LED-INT will supply power to LED-WD.