

LEDJ

Aspect XL

Exterior Blue Feature Light - 6 Degree

User Manual



Order code: LEDJ304N

WARNING**FOR YOUR OWN SAFETY, PLEASE READ THIS USER MANUAL CAREFULLY BEFORE YOUR INITIAL START-UP!**

- Before your initial start-up, please make sure that there is no damage caused during transportation.
- Should there be any damage, consult your dealer and do not use the equipment.
- To maintain the equipment in good working condition and to ensure safe operation, it is necessary for the user to follow the safety instructions and warning notes written in this manual.
- Please note that damages caused by user modifications to this equipment are not subject to warranty.

**IMPORTANT:**

The manufacturer will not accept liability for any resulting damages caused by the non-observance of this manual or any unauthorised modification to the equipment.

- Never let the power cable come into contact with other cables. Handle the power cable and all mains voltage connections with particular caution!
- Never remove warning or informative labels from the unit.
- Do not open the equipment and do not modify the unit.
- Do not connect this equipment to a dimmer pack.
- Do not switch the equipment on and off in short intervals, as this will reduce the system's life.
- Do not expose to flammable sources, liquids or gases.
- Always disconnect the power from the mains when equipment is not in use or before cleaning! Only handle the power-cable by the plug. Never pull out the plug by pulling the power-cable.
- Make sure that the available mains supply voltage is 100-240V AC, 50/60Hz.
- Make sure that the power cable is never crimped or damaged. Check the equipment and the power cable periodically.
- If the equipment is dropped or damaged, disconnect the mains power supply immediately and have a qualified engineer inspect the equipment before operating again.
- If your product fails to function correctly, stop use immediately. Pack the unit securely (preferably in the original packing material), and return it to your Prolight dealer for service.
- Only use fuses of same type and rating.
- Repairs, servicing and power connection must only be carried out by a qualified technician. THIS UNIT CONTAINS NO USER SERVICEABLE PARTS.
- This lighting fixture is for professional use only - it is not designed for or suitable for household use. The product must be installed by a qualified technician in accordance with local territory regulations. The safety of the installation is the responsibility of the installer. The fixture presents risks of severe injury or death due to fire hazards, electric shock and falls.
- Warning! Risk Group 2 LED product according to EN 62471. Do not view the light output with optical instruments or any device that may concentrate the beam.
- WARRANTY: One year from date of purchase.

OPERATING DETERMINATIONS

If this equipment is operated in any other way, than those described in this manual, the product may suffer damage and the warranty becomes void. Incorrect operation may lead to danger e.g: short-circuit, burns and electric shocks etc.

Do not endanger your own safety and the safety of others!

Incorrect installation or use can cause serious damage to people and/or property.

Aspect Exterior Blue Feature Light

This stylish, compact feature light has 18 x 3W LEDs that produce a bright beam of light to illuminate and highlight outdoor areas including gardens, paths, foliage and forecourts. This IP65 rated fixture comes in a die-cast alloy housing and has IP rated 0.75m power input/output linkable trailing connections to allow multiple units to be powered from a single cable run.



- 18 x 3W LEDs
- Beam angle: 6° (field angle: 10°)
- IP rated 0.75m power input/output linkable trailing connections
- Convection cooled

Specifications	Aspect XL Exterior Blue Feature Light - 6 Degree
Power consumption	56W
Power supply	100~240V, 50/60Hz
Dimensions	228 x 192 x 130mm
Weight	2.8kg
Order code	LEDJ304N



01 - Bracket

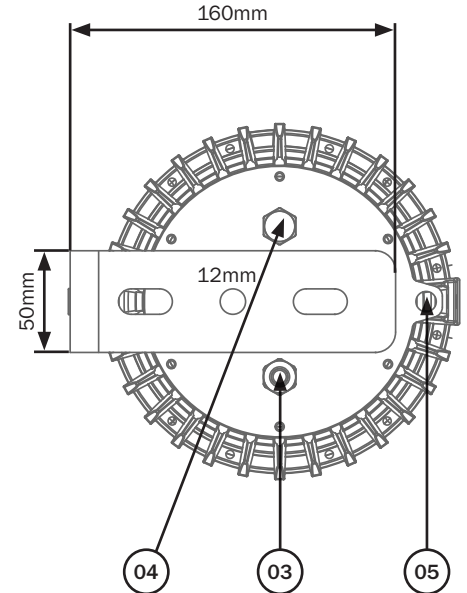
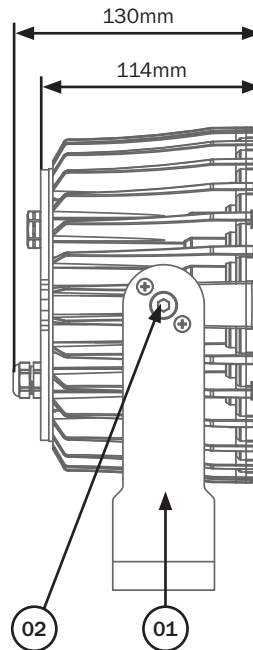
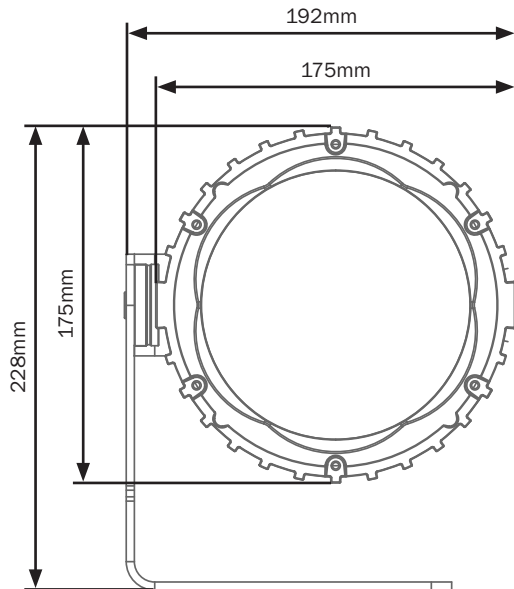
02 - Bracket adjustment bolts (5mm hex key required - not supplied)

03 - IP rated 0.75m power input/output trailing connections

04 - Pressure relief valve

05 - Safety bond point

In the box: **1 x fixture & 1 x user manual**



LEDJ 1m Exterior Power cable	LEDJ 2m Exterior Power cable	LEDJ 5m Exterior Power cable	LEDJ 10m Exterior Power cable	LEDJ 2m Exterior UK Power cable	LEDJ 1.5m Exterior Schuko Power cable
Order code: LEDJ146	Order code: LEDJ147	Order code: LEDJ148	Order code: LEDJ149	Order code: LEDJ145	Order code: LEDJ145A

Installation:

Installation must be completed by a qualified electrician in accordance with all recognised local and national electrical and construction regulations. Ensure the power is off during installation and the power cannot unexpectedly be reconnected. This fixture is IP65 rated - suitable for indoor and outdoor use, i.e. gardens, entrances, garages, foliage and corridors. Not suitable for immersion. Do not cover the light source or heat sink.

To avoid damage do not carry or let the fixture hang by its wiring. Suitable to be mounted on a stable solid surface e.g. concrete, brick or wood. Connect to a suitable RCD protected mains outlet using the IP rated 0.75m power input trailing connection.

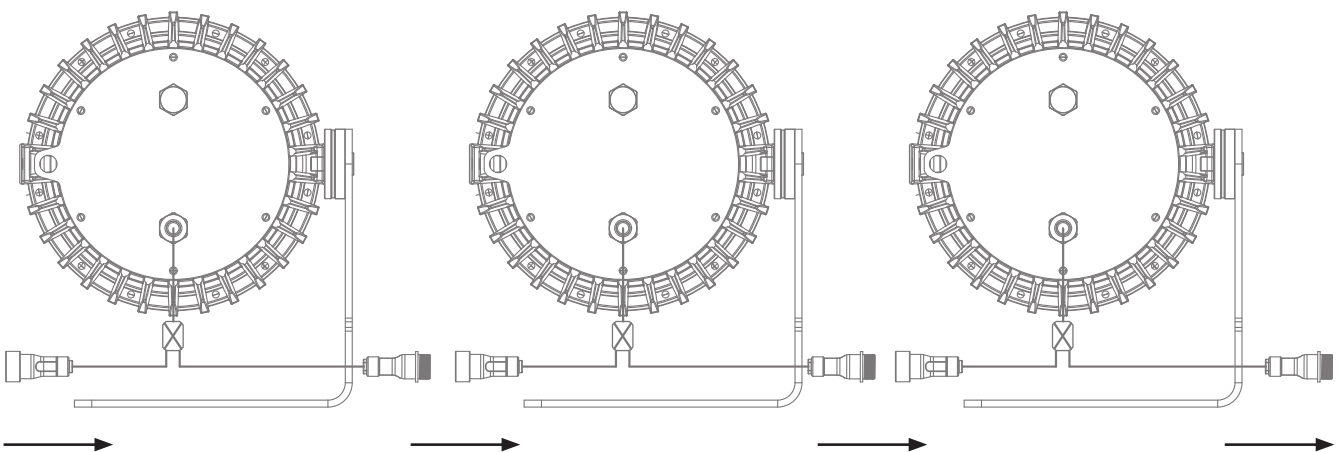


Multiple fixture power linking

Power linking:

This fixture provides power linking via the power output on the rear allowing multiple units to be connected together. The maximum number of fixtures that can be connected is 16 fixtures @ 240V or 8 fixtures @ 120V (including the first fixture). After the maximum number of fixtures are connected a new power run will need to be started.

Please note: Caution should be used when power linking other fixtures to the Aspect XL as the power consumption of other fixtures will vary. LED fixtures fitted with switch mode power supplies often require 2/3 times more current on startup, these may require their own power source.





***Correct Disposal of this Product
(Waste Electrical & Electronic Equipment)***

**(Applicable in the European Union and other European countries
with separate collection systems)**

This marking shown on the product or its literature, indicates that it should not be disposed of with other household wastes at the end of its working life. To prevent possible harm to the environment or human health from uncontrolled waste disposal, please separate this from other types of wastes and recycle it responsibly to promote the sustainable reuse of material resources.

Household users should contact either the retailer where they purchased this product, or their local government office, for details of where and how they can take this item for environmentally safe recycling.

Business users should contact their supplier and check the terms and conditions of the purchase contract. This product should not be mixed with other commercial wastes for disposal.

