

LEDJ

Spectra Flood 18HEX10 PRO Exterior Fixture

User Manual



Order code: LEDJ556A

WARNING**FOR YOUR OWN SAFETY, PLEASE READ THIS USER MANUAL CAREFULLY BEFORE YOUR INITIAL START-UP!**

- Before your initial start-up, please make sure that there is no damage caused during transportation.
- Should there be any damage, consult your dealer and do not use the equipment.
- To maintain the equipment in good working condition and to ensure safe operation, it is necessary for the user to follow the safety instructions and warning notes written in this manual.
- Please note that damages caused by user modifications to this equipment are not subject to warranty.

**IMPORTANT:**

The manufacturer will not accept liability for any resulting damages caused by the non-observance of this manual or any unauthorised modification to the equipment.

- Never let the power cable come into contact with other cables. Handle the power cable and all mains voltage connections with particular caution!
- Never remove warning or informative labels from the unit.
- Do not open the equipment and do not modify the unit.
- Do not connect this equipment to a dimmer pack.
- Do not switch the equipment on and off in short intervals, as this will reduce the system's life.
- Do not expose to flammable sources, liquids or gases.
- Always disconnect the power from the mains when equipment is not in use or before cleaning! Only handle the power-cable by the plug. Never pull out the plug by pulling the power-cable.
- Make sure that the available mains supply voltage is between 100~240V AC, 50/60Hz.
- Make sure that the power cable is never crimped or damaged. Check the equipment and the power cable periodically.
- If the equipment is dropped or damaged, disconnect the mains power supply immediately and have a qualified engineer inspect the equipment before operating again.
- If your product fails to function correctly, stop use immediately. Pack the unit securely (preferably in the original packing material), and return it to your Pro Light dealer for service.
- Only use fuses of same type and rating.
- Repairs, servicing and power connection must only be carried out by a qualified technician. **THIS UNIT CONTAINS NO USER SERVICEABLE PARTS.**
- This lighting fixture is for professional use only - it is not designed for or suitable for household use. The product must be installed by a qualified technician in accordance with local territory regulations. The safety of the installation is the responsibility of the installer. The fixture presents risks of severe injury or death due to fire hazards, electric shock and falls.
- Warning! Risk Group 2 LED product according to EN 62471. Keep a distance of at least 11feet (3.3m) to avoid direct eye and skin exposure. Do not operate the fixture if the external cover protective lens is damaged or missing. Avoid direct viewing of the UV light and refrain from using optical instruments or any device that may concentrate the light/radiation output. We advise users to take necessary precautions to minimise direct exposure to UV radiation and individuals suffering from a range of eye conditions, sunlight exposure disorders, or individuals using photosensitive medication, may receive discomfort if exposed to the ultraviolet (UV) light emitted from this fixture.
- WARRANTY: One year from date of purchase.

OPERATING DETERMINATIONS

If this equipment is operated in any other way, than those described in this manual, the product may suffer damage and the warranty becomes void. Incorrect operation may lead to danger e.g: short-circuit, burns and electric shocks etc.

Do not endanger your own safety and the safety of others!

Incorrect installation or use can cause serious damage to people and/or property.

Spectra Flood 18HEX10 PRO Exterior Fixture



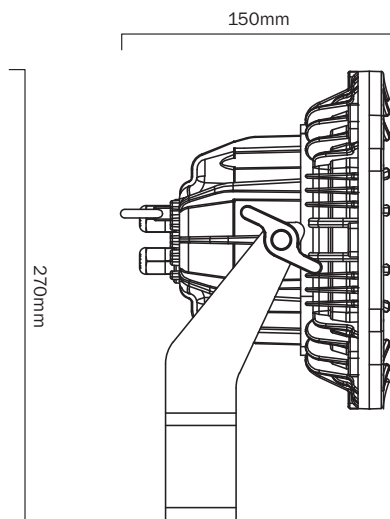
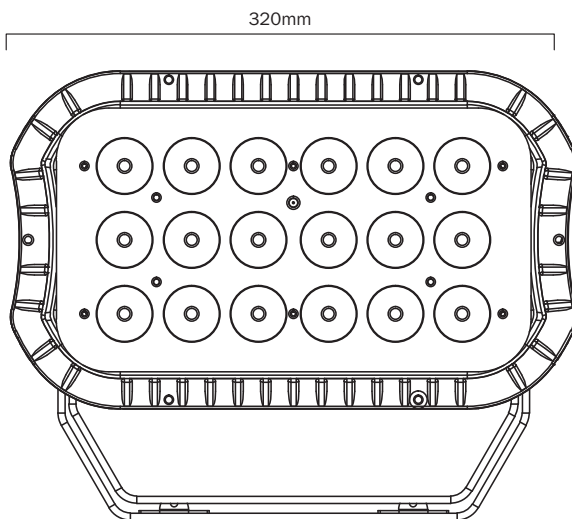
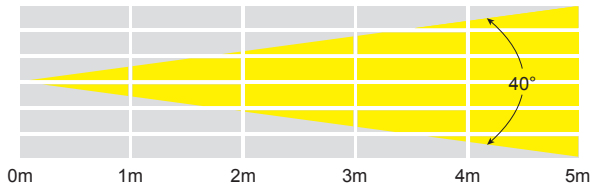
The exterior Spectra Flood 18HEX10 features 18 x 10W six-colour LEDs, delivering a smooth wash of colour, ranging from intense, rich saturated hues through to pastel shades. Controllable via the on-board 4 button LED menu system for auto, static colour or master/slave modes, with the option of DMX control for larger installations. Signage and facade features can be illuminated along with landscapes, and the simple daisy chain connection of power and DMX means that installation time and cost is reduced. The heavy-duty alloy enclosure is convection cooled for silent running and features TRUE1 and 5-Pin DMX inputs and outputs to facilitate a problem-free, rental ready connection.

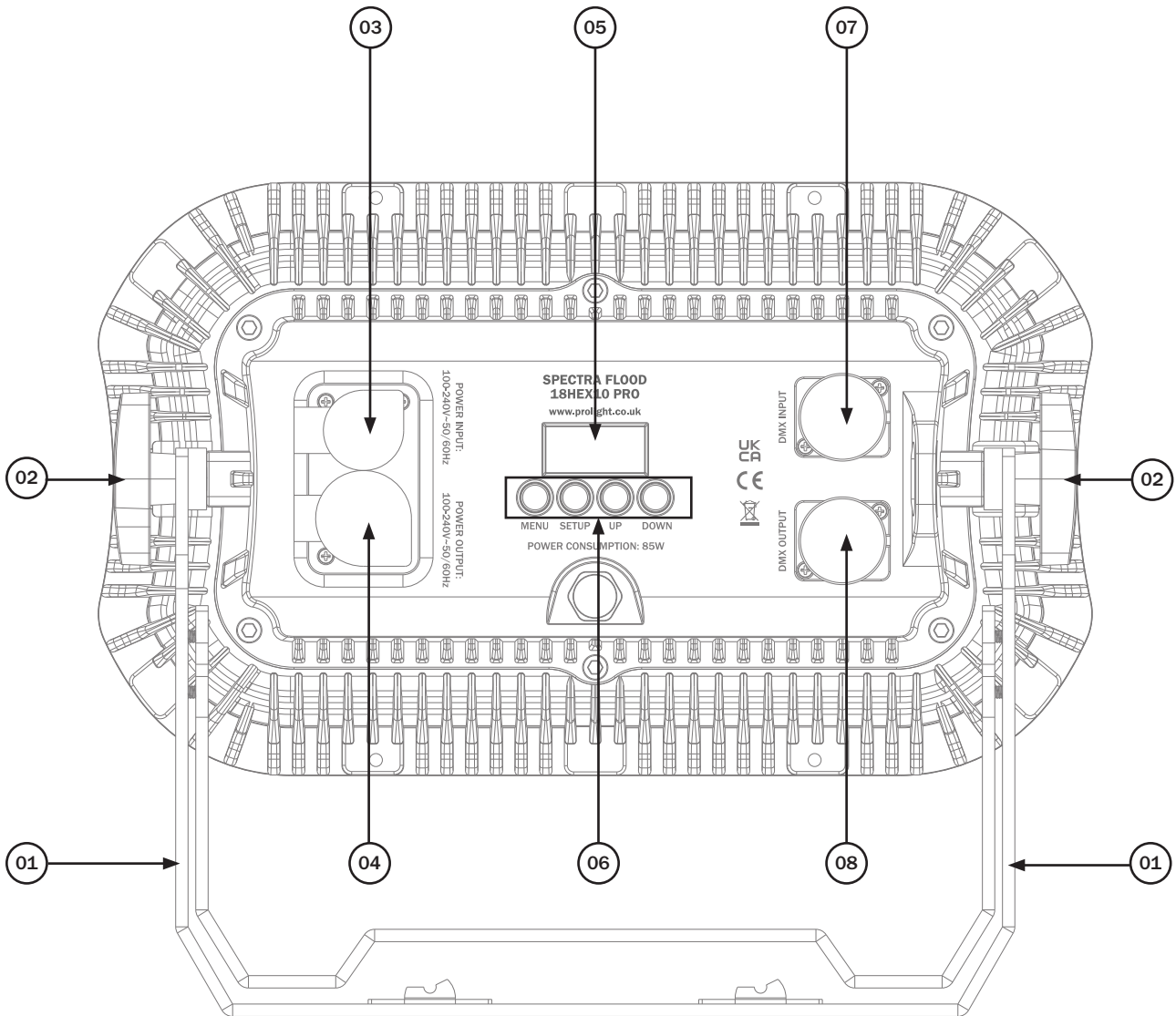


- 18 x 10W six-colour LEDs (RGBWAUV)
- Beam angle: 40°
- 1,770 Lux @ 2m (full on)
- Refresh rate: 1kHz, 3kHz, 6kHz or 12kHz selectable
- DMX channels: 1/6/7/8 or 12 selectable
- Static colour, colour change, colour fade, auto and master/slave modes
- 0 -100% dimming
- 4 dimming curves with two dimming response times: Linear, square law, inverse square law and S-curve
- Variable strobe
- Bracket allows for multiple rigging or floor standing applications
- Quick release omega clamp included
- 4 button menu with LED display
- Menu lock prevents unwanted operation
- powerCON TRUE1 compatible Seetronic input/output
- IP rated 5-Pin XLR input/output
- Convection cooled

Specifications	Spectra Flood 18HEX10 PRO
Power consumption	85W
Power supply	100~240V, 50/60Hz
Dimensions	270 x 320 x 150mm
IP rating	IP65
Weight	4.4kg
Order code	LEDJ556A

40° - Lux	0m	1m	2m	3m	4m	5m
FULL ON	7080	1770	787	443	282	
R	1748	437	193	108	70	
G	3284	821	365	204	130	
B	740	185	81	45	30	
W	3880	970	430	243	154	
A	2200	550	243	138	88	
UV	N/A	N/A	N/A	N/A	N/A	N/A



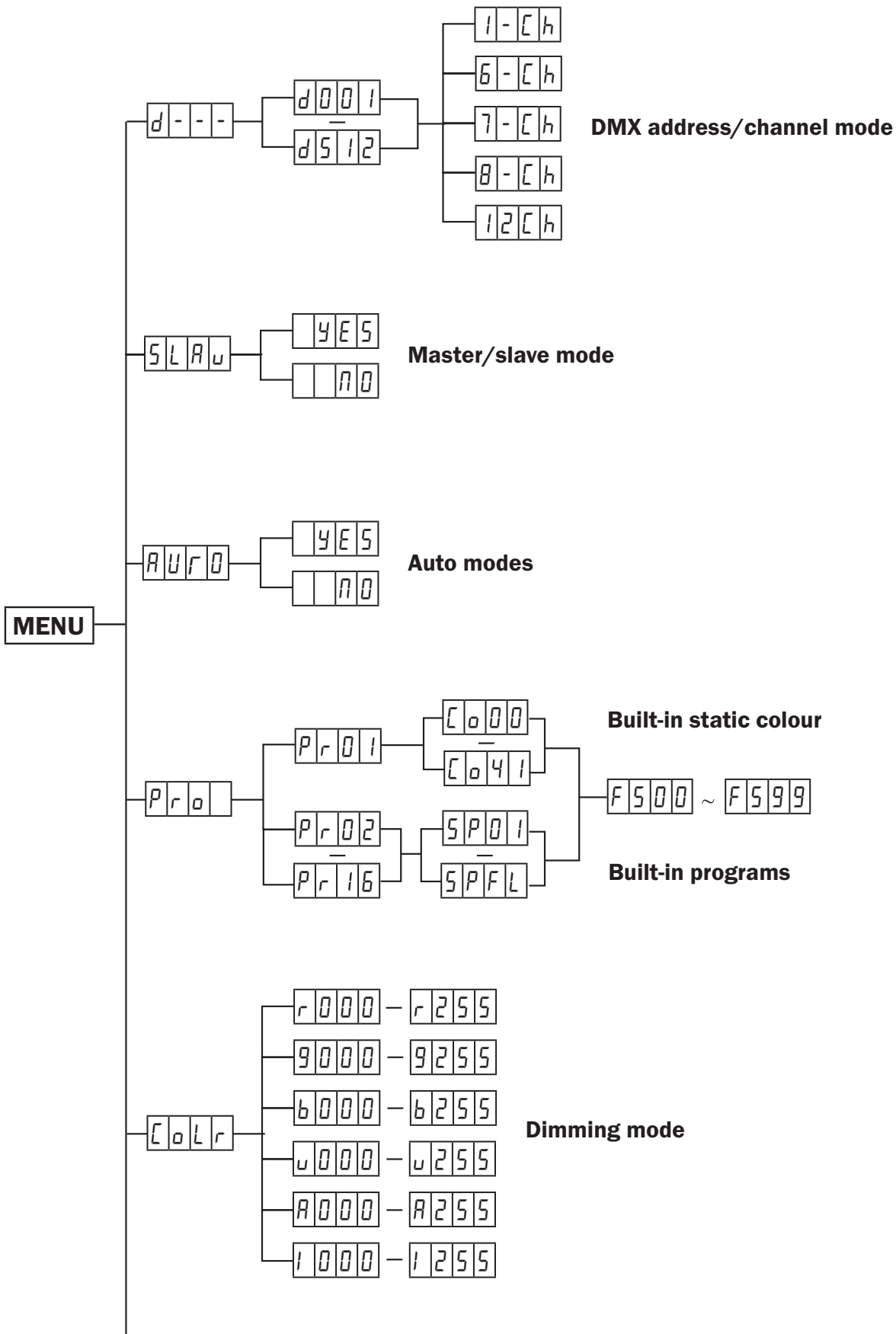


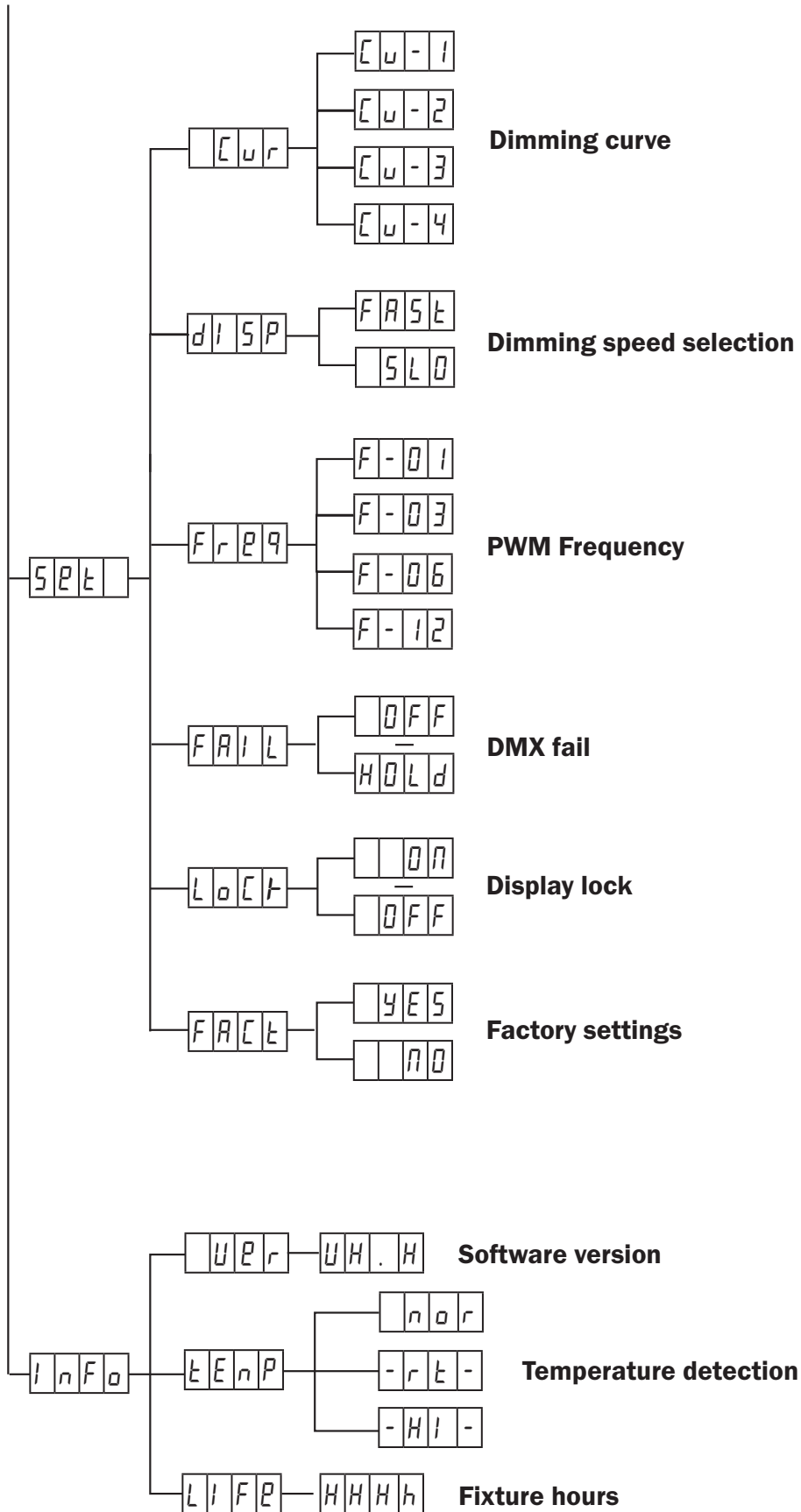
01 - Hanging bracket
 02 - Hanging bracket
 adjustment knobs
 03 - IP rated power input

04 - IP rated power output
 05 - LED display
 06 - Function buttons

07 - IP rated DMX input
 08 - IP rated DMX output

In the box:
**1 x fixture &
 1 x power cable**





DMX mode:

To select the DMX address, press the “MENU” button on the rear of the unit to show $d - - -$ on the LED display. Then press “SETUP” and $d000$ will appear. Now use the “UP” and “DOWN” buttons to select the DMX address between 001-512.

To exit out of any of the above options, press the “MENU” button.

DMX channel mode:

Operating in a DMX control mode environment gives the user the greatest flexibility when it comes to customising or creating a show. In this mode you will be able to control each individual trait of the fixture and each fixture independently. To access the DMX channel mode, press the “MENU” button on the rear of the unit to show $d000$ on the LED display. Now press the “SETUP” button to show $- - [H$ on the LED display and use the “UP” and “DOWN” buttons to select between 1, 6, 7, 8 and 12 channels.

To exit out of any of the above options, press the “MENU” button.

1 channel mode:

Channel	Value	Function
1	000-015	No function
	016-020	Red
	021-025	Flame Red
	026-030	Deep Orange
	031-035	Amber
	036-040	Deep Yellow
	041-045	Medium
	046-050	Yellow
	051-055	Lime Green
	056-060	Chartreuse Green
	061-065	Bright Green
	066-070	Lawn Green
	071-075	Green
	076-080	Neon Green
	081-085	Slime Green
	086-090	Harlequin Green
	091-095	Spring Green
	096-100	Seafoam Green
	101-105	Light Blue
	106-110	Medium Blue
	111-115	Blue
	116-120	Deep Blue
	121-125	Deep Purple
	126-130	Purple
131-135	Dark Violet	

Colour preset

Channel	Value	Function
1	136-140	Violet
	141-145	Magenta
	146-150	Fuchsia Pink
	151-155	Hot Pink
	156-160	Crimson
	161-165	Scarlet Red
	166-170	Candy Red
	171-175	White
	176-180	Pastel Pink
	181-185	Pastel Baby Pink
	186-190	Mint Green
	191-195	Pastel Mint Green
	196-200	Pastel Blue
	201-205	Pastel Baby Blue
	206-210	Ice White
	211-215	Amber
216-255	UV	

Colour preset

6 channel mode:

Channel	Value	Function
1	000-255	Red (0-100%)
2	000-255	Green (0-100%)
3	000-255	Blue (0-100%)
4	000-255	White (0-100%)
5	000-255	Amber (0-100%)
6	000-255	UV (0-100%)

7 channel mode:

Channel	Value	Function
1	000-255	Master Dimmer (0-100%)
2	000-255	Red (0-100%)
3	000-255	Green (0-100%)
4	000-255	Blue (0-100%)
5	000-255	White (0-100%)
6	000-255	Amber (0-100%)
7	000-255	UV (0-100%)

8 channel mode:

Channel	Value	Function
1	000-255	Master Dimmer (0-100%)
2	000-010	No function
	011-255	Speed (slow-fast)
3	000-255	Red (0-100%)
4	000-255	Green (0-100%)
5	000-255	Blue (0-100%)
6	000-255	White (0-100%)
7	000-255	Amber (0-100%)
8	000-255	UV (0-100%)

12 channel mode:

Channel	Value	Function	
1	000-255	Master Dimmer (0-100%)	
2	000-010	No function	
	011-255	Strobe (slow-fast)	
3	000-015	No function	Colour preset
	016-020	Red	
	021-025	Flame Red	
	026-030	Deep Orange	
	031-035	Amber	
	036-040	Deep Yellow	
	041-045	Medium Yellow	
	046-050	Yellow	
	051-055	Lime Green	
	056-060	Chartreuse Green	
	061-065	Bright Green	
	066-070	Lawn Green	
	071-075	Green	
	076-080	Neon Green	
	081-085	Slime Green	
	086-090	Harlequin Green	
	091-095	Spring Green	
	096-100	Seafoam Green	
	101-105	Light Blue	
	106-110	Medium Blue	
	111-115	Blue	
	116-120	Deep Blue	
	121-125	Deep Purple	
	126-130	Purple	
	131-135	Dark Violet	
	136-140	Violet	
	141-145	Magenta	
146-150	Fuchsia Pink		
151-155	Hot Pink		
156-160	Crimson		
161-165	Scarlet Red		
166-170	Candy Red		
171-175	White		
176-180	Pastel Pink		
181-185	Pastel Baby Pink		
186-190	Mint Green		

12 channel mode (cont):

Channel	Value	Function	
3(cont.)	191-195	Pastel Mint Green	Colour preset
	196-200	Pastel Blue	
	201-205	Pastel Baby Blue	
	206-210	Ice White	
	211-215	Amber	
	216-255	UV	
4	000-015	No function	Programs
	016-031	Jump 1	
	032-047	Jump 2	
	048-063	Jump 3	
	064-079	Jump 4	
	080-095	Jump 5	
	096-111	Jump 6	
	112-127	Jump 7	
	128-143	Jump 8	
	144-159	Fade 1	
	160-175	Fade 2	
	176-191	Fade 3	
	192-207	Fade 4	
	208-223	Fade 5	
224-239	Fade 6		
240-255	Fade 7		
5	000-255	Speed (slow-fast)	
6	000-255	Red (0-100%)	
7	000-255	Green (0-100%)	
8	000-255	Blue (0-100%)	
9	000-255	White (0-100%)	
10	000-255	Amber (0-100%)	
11	000-255	UV (0-100%)	
12	000-036	No function	Hold value for 2 seconds.
	037-073	Dimmer Fast	
	074-110	Dimmer Slow	
	111-147	Linear Curve	
	148-184	Square Curve	
	185-221	Inv. Square curve	
	222-255	S-Type Curve	

Slave mode:

To set the slave unit, press the “MENU” button on the rear of the unit to show *SLAVE* on the LED display, press “SETUP” then use the “UP” and “DOWN” buttons to select *YES* or *NO*. To exit out of any of the above options, press the “MENU” button.

Auto mode:

To access auto mode, press the “MENU” button on the rear of the unit to show *AUTO* use the “UP” and “DOWN” buttons to choose *YES* or *NO* on the LED display. The unit will now run through its built-in programs. To exit out of any of the above options, press the “MENU” button.

Built-in programs:

To select a built-in static colour, press the “MENU” button on the rear of the unit until it shows *PRO* press the “SETUP” button to show *PRO1* then press “SETUP” again to show *CO00*. Use the “UP” and “DOWN” buttons to select the static colour required *CO00*~*CO41*. Press the “SETUP” button again to confirm the setting and use the “UP” and “DOWN” buttons to select the flash speed *F500* ~ *F599*.

To access the built-in programs, press the “MENU” button on the rear of the unit until it shows *PRO* on the LED display. Press “SETUP” and use the “UP” and “DOWN” buttons to choose the required program *PRO2* ~ *PRO16*. Press the “SETUP” button to confirm the setting and use the “UP” and “DOWN” buttons to choose the speed *SP01*~*SPFL*. Press the “SETUP” button again to confirm the setting and use the “UP” and “DOWN” buttons to select the flash speed *F500* ~ *F599*. To exit out of any of the above options, press the “MENU” button.

Colour mix mode:

To access the colour mix mode press “MENU” until *CLR* shows on the LED display. Now press the “SETUP” button and use the “UP” and “DOWN” buttons to select either red (r) green (g), blue (b), White (w), Amber (A) and UV (i). Now use the “UP” and “DOWN” buttons to select the brightness between *r.000* ~ *r.255*.

Value: 000 - 255 (000 = low brightness, 255 = high brightness)

To exit out of any of the above options, press the “MENU” button.

Dimming Curve Settings

To enter the dimming curve settings, press the “MENU” button on the rear of the unit to show *SET*. Then use the “UP” and “DOWN” buttons to select *CUR*. Use the “UP” and “DOWN” buttons to select one of four dimming curves. *CU-1* (linear) *CU-2* (square law) *CU-3* (inv square law) *CU-4* (S-Curve). To exit out of any of the above options, press the “MENU” button.

Dimming Speed Settings

To enter the dimming speed settings, press the “MENU” button on the rear of the unit to show *SET*. Then press the “SETUP” button on the rear of the unit to show *CUR*. Then use the “UP” and “DOWN” buttons and select *d,SP*. Press the “SETUP” button then use the “UP” and “DOWN” buttons to select *FAST* or *SLA*. To exit out of any of the above options, press the “MENU” button.

Frequency Settings

To enter the dimming speed settings, press the “MENU” button on the rear of the unit to show *SEt*. Then press the “SETUP” button on the rear of the unit to show *FrEg*, press “SETUP” again then use the “UP” and “DOWN” buttons to select between *F-01*, *F-03*, *F-06* and *F-12*. To exit out of any of the above options, press the “MENU” button.

Lock Settings

If a menu selection has not been made for 30 seconds, the screen will lock automatically. Press “MENU” and “SETUP” for 3 seconds to unlock. In the unlocked state, press “MENU” and “SETUP” at the same time to lock quickly. To access the lock setting, press “MENU” button on the rear of the unit to show *SEt*. Press “SETUP” and use the “UP” and “DOWN” buttons to select *LOCk*. Then press “SETUP” and use the “UP” and “DOWN” buttons to select *ON* or *OFF*. To exit out of any of the above options, press the “MENU” button.

Factory reset:

Press the “MENU” button to show *SEt*, Press “SETUP” and use the “UP” and “DOWN” buttons to find *FACt*. Press “ENTER” then use the “UP” and “DOWN” buttons to select *YES* or *NO*. The unit will now have reset to factory settings.

Information:

Press the “MENU” button to show *INFo* press “SETUP” and use the “UP” and “DOWN” buttons to find *vEr* (software version), *TEMP* (temperature information) and *LIFE* (fixture hours). Press “SETUP” in any of these menus and the relevant information will be displayed. Please see below chart for temperature information codes.

<i>nor</i>	When shown on the unit, temperature detection is normal.
<i>-rL-</i>	When shown on the unit, the unit temperature is too low and will automatically go into protection mode.
<i>-Hi-</i>	When shown on the unit, the unit temperature is too high and will automatically go into protection mode.

Setting the DMX address:

The DMX mode enables the use of a universal DMX controller. Each fixture requires a “start address” from 1- 512. A fixture requiring one or more channels for control begins to read the data on the channel indicated by the start address. For example, a fixture that occupies or uses 7 channels of DMX and was addressed to start on DMX channel 100, would read data from channels: 100,101,102,103,104,105 and 106. Choose a start address so that the channels used do not overlap. E.g. the next unit in the chain starts at 107.

DMX 512:

DMX (Digital Multiplex) is a universal protocol used as a form of communication between intelligent fixtures and controllers. A DMX controller sends DMX data instructions from the controller to the fixture. DMX data is sent as serial data that travels from fixture to fixture via the DATA “IN” and DATA “OUT” XLR terminals located on all DMX fixtures (most controllers only have a data “out” terminal).

DMX linking:

DMX is a language allowing all makes and models of different manufactures to be linked together and operate from a single controller, as long as all fixtures and the controller are DMX compliant. To ensure proper DMX data transmission, when using several DMX fixtures try to use the shortest cable path possible. The order in which fixtures are connected in a DMX line does not influence the DMX addressing. For example; a fixture assigned to a DMX address of 1 may be placed anywhere in a DMX line, at the beginning, at the end, or anywhere in the middle. When a fixture is assigned a DMX address of 1, the DMX controller knows to send DATA assigned to address 1 to that unit, no matter where it is located in the DMX chain.

Also remember that DMX cable must be daisy chained and cannot be split.

DATA cable (DMX cable) requirements (for DMX operation):

This fixture can be controlled via DMX-512 protocol. The DMX address is set on the back of the unit.

Further DMX cables can be purchased from all good sound and lighting suppliers or Pro Light Concepts dealers. Please quote:

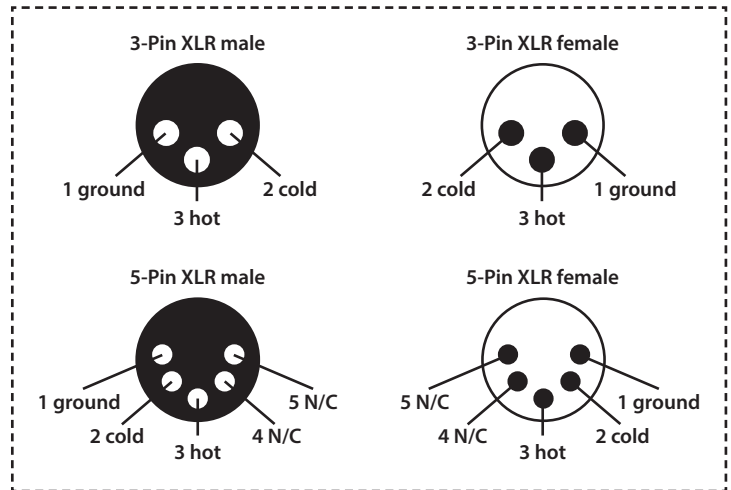
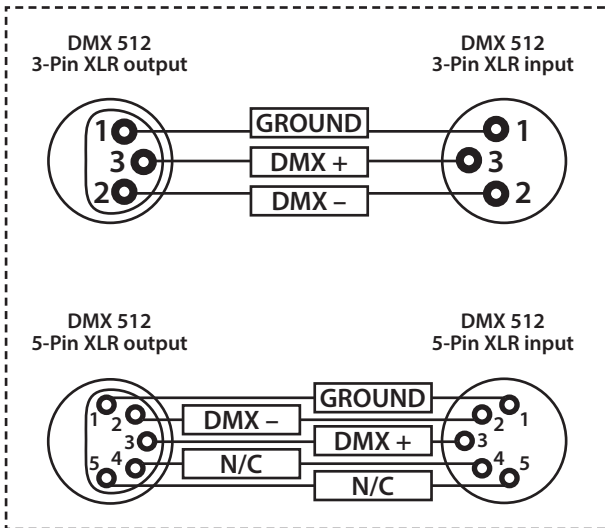
LEDJ 1m Interior - Exterior DMX cable	LEDJ 1m Exterior DMX cable	LEDJ 2m Exterior DMX cable	LEDJ 5m Exterior DMX cable	LEDJ 10m Exterior DMX cable
				
Order code: LEDJ91	Order code: LEDJ141	Order code: LEDJ142	Order code: LEDJ143	Order code: LEDJ144

LEDJ 1m Exterior Power cable	LEDJ 2m Exterior Power cable	LEDJ 5m Exterior Power cable	LEDJ 10m Exterior Power cable	LEDJ Spectra Series End Cap Set
				
Order code: LEDJ146	Order code: LEDJ147	Order code: LEDJ148	Order code: LEDJ149	Order code: LEDJ93

Notice:

Be sure to follow the diagrams below when making your own cables. Do not connect the cables shield conductor to the ground lug or allow the shield conductor to come in contact with the XLRs outer casing. Grounding the shield could cause a short circuit and erratic behaviour.

Pin Configuration	
3-Pin	5-Pin
	Pin 1 - Ground
	Pin 2 - Negative
	Pin 3 - Positive
-	Pin 4 - N/C
-	Pin 5 - N/C

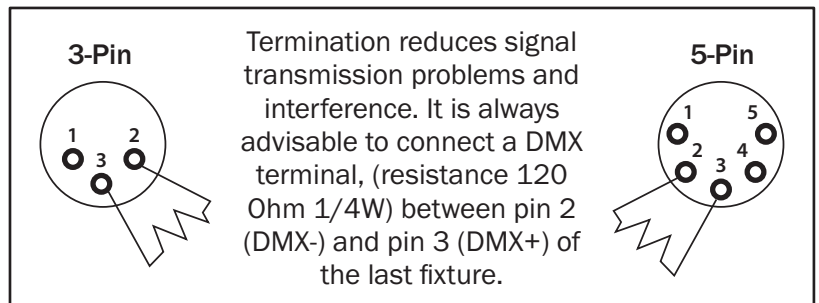


Line termination:

When longer runs of cable are used, you may need to use a terminator on the last unit to avoid erratic behaviour.

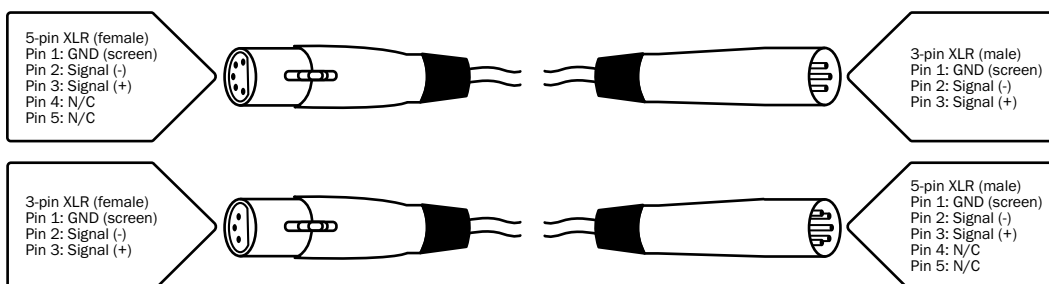
Using a cable terminator will decrease the possibilities of erratic behaviour.

(3-pin - Order ref: CABL90,
5-pin - Order ref: CABL89)



5-pin XLR DMX connectors:

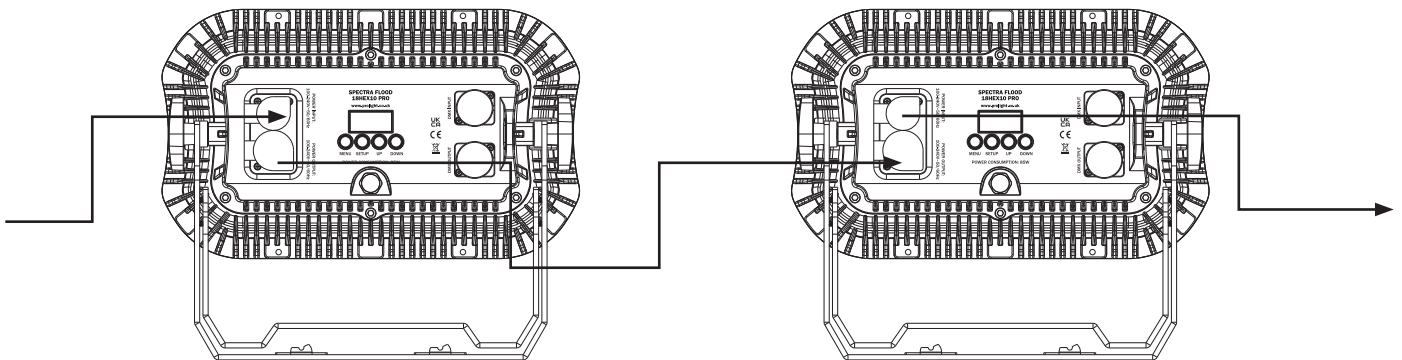
Some manufactures use 5-pin XLR connectors for data transmission in place of 3-pin. 5-pin XLR fixtures may be implemented in a 3-pin XLR DMX line. When inserting standard 5-pin XLR connectors in to a 3-pin line a cable adaptor must be used. The diagram below details the correct cable conversion.



Power linking:

This fixture provides power linking via the power output on the rear allowing multiple units to be connected together. The maximum number of fixtures that can be connected is 20 fixtures @ 240V or 10 fixtures @ 120V (including the first fixture). After the maximum number of fixtures are connected a new power run will need to be started.

Please note: Caution should be used when power linking other fixtures to the Spectra Flood 18HEX10 as the power consumption of other fixtures will vary. Fixtures fitted with lamps often require 2/3 times more current on startup, these may require their own power source.





***Correct Disposal of this Product
(Waste Electrical & Electronic Equipment)***

**(Applicable in the European Union and other European countries
with separate collection systems)**

This marking shown on the product or its literature, indicates that it should not be disposed of with other household wastes at the end of its working life. To prevent possible harm to the environment or human health from uncontrolled waste disposal, please separate this from other types of wastes and recycle it responsibly to promote the sustainable reuse of material resources.

Household users should contact either the retailer where they purchased this product, or their local government office, for details of where and how they can take this item for environmentally safe recycling.

Business users should contact their supplier and check the terms and conditions of the purchase contract. This product should not be mixed with other commercial wastes for disposal.



LEDj