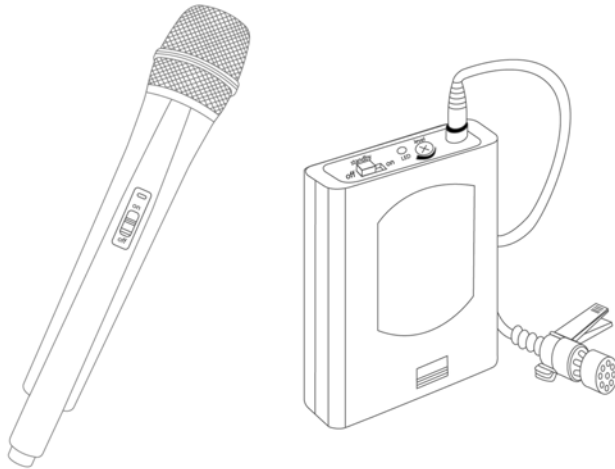




www.prolight.co.uk



Series Wireless Specifications
TP – 100/200 & TPT - 101/202

Order codes:

USER MANUAL

WARNING

FOR YOUR OWN SAFETY, PLEASE READ THIS USER MANUAL CAREFULLY
BEFORE YOUR INITIAL START-UP!



CAUTION!

Keep this equipment away from rain,
moisture and liquids.



SAFETY INSTRUCTIONS

Every person involved with the installation, operation & maintenance of this equipment should:

- Be competent
- Follow the instructions of this manual



**CAUTION! TAKE CARE USING THIS EQUIPMENT!
HIGH VOLTAGE-RISK OF ELECTRIC SHOCK!!**



Before your initial start-up, please make sure that there is no damage caused during transportation. Should there be any, consult your dealer and do not use the equipment.

To maintain the equipment in good working condition and to ensure safe operation, it is necessary for the user to follow the safety instructions and warning notes written in this manual.

Please note that damages caused by user modifications to this equipment are not subject to warranty.

SAFETY

IMPORTANT:

The manufacturer will not accept liability for any resulting damages caused by the non-observance of this manual or any unauthorised modification to the equipment.

- Never let the power-cable come into contact with other cables. Handle the power-cable and all mains voltage connections with particular caution!
- Never remove warning or informative labels from the equipment.
- Do not open the equipment and do not modify the equipment.
- Do not switch the equipment on and off in short intervals, as this will reduce the system's life.
- Only use the equipment indoors.
- Do not expose to flammable sources, liquids or gases.
- Always disconnect the power from the mains, when equipment is not in use or before cleaning! Only handle the power-cable by the plug.
- Never pull out the plug by pulling the power-cable.
- Make sure that the available voltage is between 220v/240v.
- Make sure that the power-cable is never crimped or damaged. Check the equipment and the power-cable from time to time.
- If the equipment is dropped or damaged, disconnect the mains power supply immediately. Have a qualified engineer inspect the equipment before operating again.
- If the equipment has been exposed to drastic temperature fluctuation (e.g. after transportation), do not switch it on immediately. The arising condensation might damage the equipment. Leave the equipment switched off until it has reached room temperature.
- If your product fails to function correctly, discontinue use immediately.
- Pack the unit securely (preferably in the original (packing material), and return it to your Prolight dealer for service.
- Only use fuses of same type and rating.
- Repairs, servicing and electric connection must only be carried out by a qualified technician.

THIS UNIT CONTAINS NO USER SERVICEABLE PARTS

WARRANTY: One year from date of purchase.

OPERATING DETERMINATIONS

If this equipment is operated in any other way, than those described in this manual, the product may suffer damage and the warranty becomes void.

Incorrect operation may lead to danger e.g.: short-circuit, burns, electric shocks, Lamp failure etc.

Do not endanger your own safety and the safety of others!
Incorrect installation or use can cause serious damage to people and property!

Using the TP – 100/TP – 200 Receiver

- 1, Connect the output to your mixer/amplifier, using either a balanced XLR cable or an unbalanced, 6.35mm jack plug cable.
- 2, Connect the AC adaptor to the receiver and plug into an appropriate power outlet.

Using the TPT – 101/TPT – 201 Receiver

- 1, Connect outputs for channels A & B to your mixer/amplifier, using either two balanced XLR cables for dual output or a single unbalanced 6.35mm jack plug cable for mixed output of both channels.
- 2, Connect the AC adaptor to the receiver and plug into an appropriate power outlet.

Using the wireless microphone transmitter/s

- 1, Slide the microphone **ON/OFF/STANDBY** switch to the on position.
- 2, Check the signal indicator is illuminated on your receiver to see if the signal is being received.
- 3, If the signal indicator is illuminated, begin singing or speaking.
- 4, During the performance, slide the **ON/OFF/STANDBY** switch to the **STANDBY** position when the microphone is not being used.
- 5, When the performance is over, slide the **ON/OFF/STANDBY** switch to the **OFF** position to conserve the battery power.

(Receiver) Specification

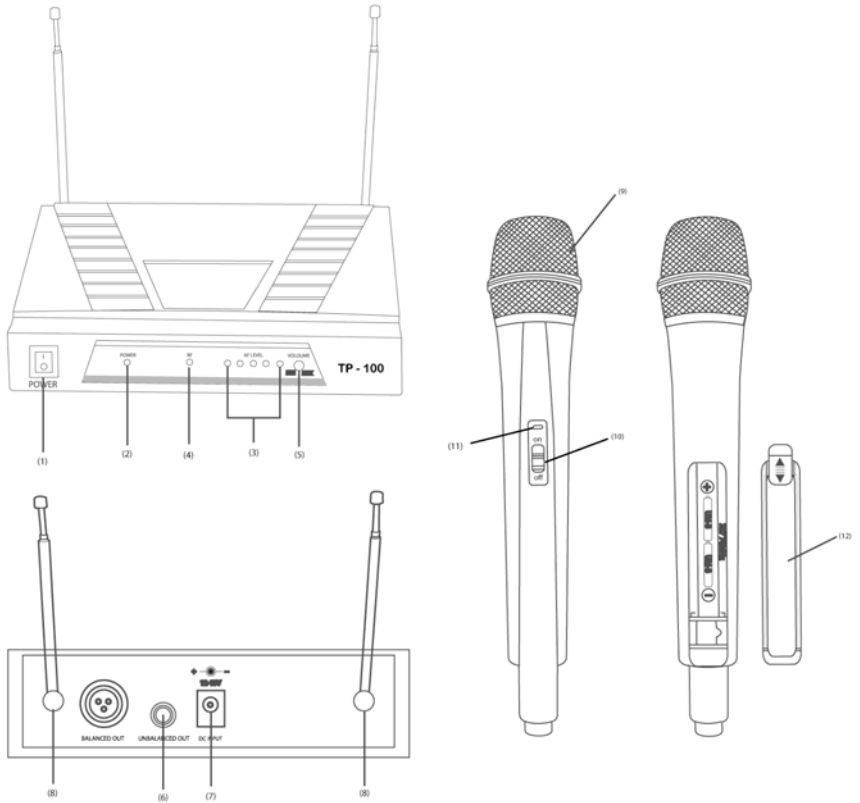
Receiving freq: 210-260MHz
Frequency Steadying: <0.002% (better than 15ppm crystal control)
Sensitivity: 2 μ V
F/N Ration: >80dB
P/N Ration: >80dB
S/N Ration: >70dB
Audio output: 0-300mV
Receiving channel: 2CH/1CH
Power voltage: 230V (\pm 10%) (dual) DC15V (\pm 10%) (single)
Power: 3V
Antenna: Unidirectional
Dimensions: 430 x 180 x 45mm (dual) 210 x 155 x 45mm (single)

(Transmitter) Specification

Carrier frequency: 210-260MHz
Frequency Steadying: <0.002% (better than 15ppm crystal control)
Output power: 10mW
Electric current consumption:<25mA
Vie band; <Main band 40dB
Modulation model: FM
Microphone: 600 Ω Single way
Battery: 9V
Antenna: Built-in
Dimensions: 240 x 35mm

Single receiver

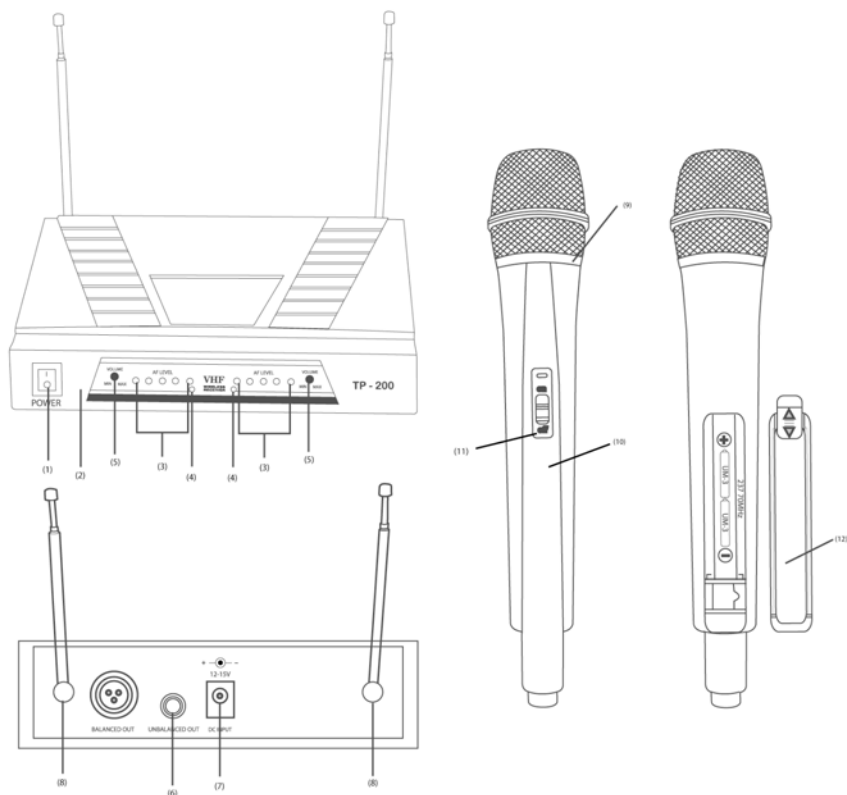
TP - 100



- | | |
|-------------------------------|---------------------------|
| 1: Power On/Off (receiver) | 7: Power port DC:15 |
| 2: Power Indicator (receiver) | 8:Antenna |
| 3: Peak level indicator | 9: Mic |
| 4: Signal light | 10: Battery indicator |
| 5:Volume control | 11: Power & silent switch |
| 6:Audio output (out) | 12: Battery cover |

Dual receiver

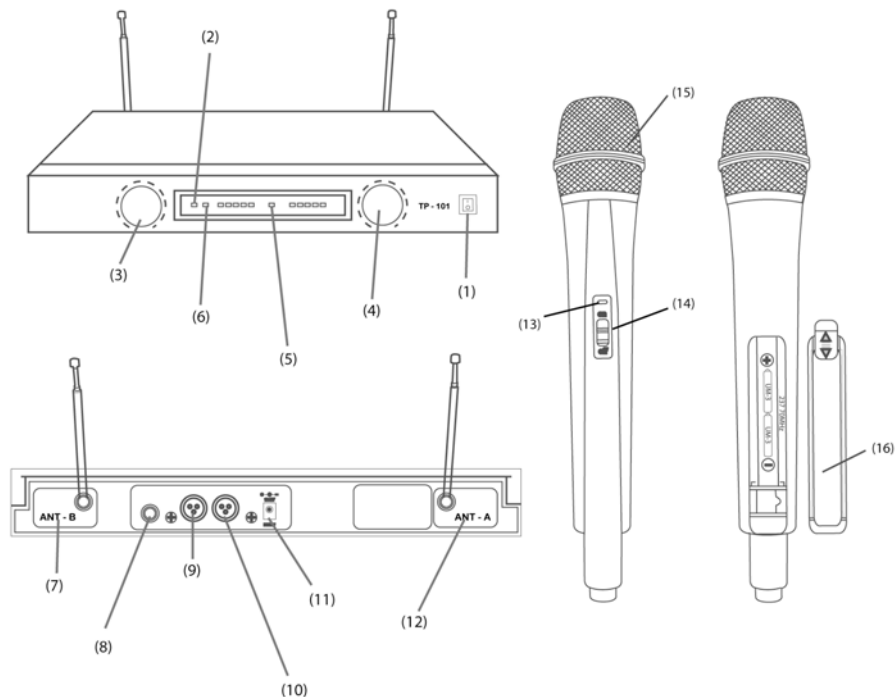
TP - 200



- | | |
|-------------------------------|---------------------------|
| 1: Power On/Off (receiver) | 7: Power port DC:15 |
| 2: Power Indicator (receiver) | 8:Antenna |
| 3: Peak level indicator | 9: Mic |
| 4: Signal light | 10: Battery indicator |
| 5:Volume control | 11: Power & silent switch |
| 6:Audio output (out) | 12: Battery cover |

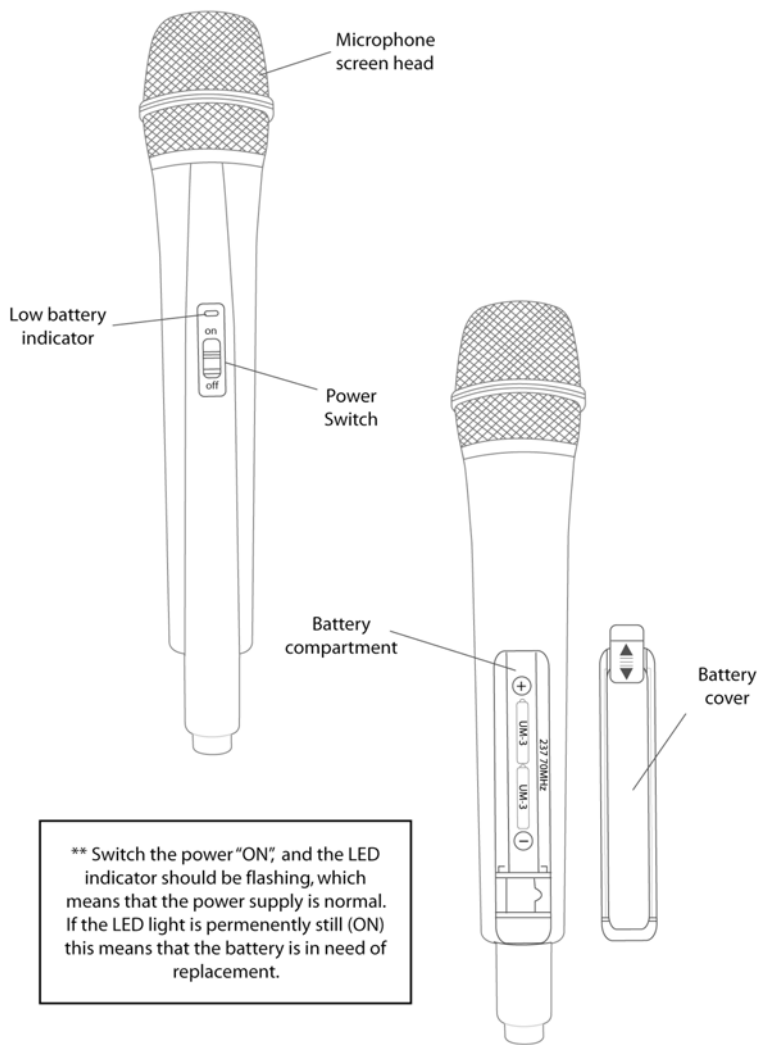
Dual receivers

TPT – 101 & TPT - 202



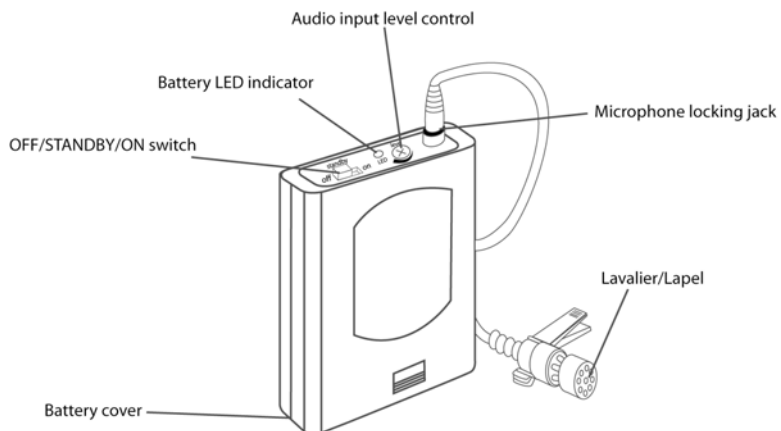
- | | |
|-------------------------------|----------------------------|
| 1: Power On/Off (receiver) | 9: Channel B audio output |
| 2: Power Indicator (receiver) | 10: Channel A audio output |
| 3: Channel B volume control | 11: Power socket: DC-18v |
| 4: Channel A volume control | 12: Antenna A |
| 5: Channel B on air indicator | 13: Battery indicator |
| 6: Channel A on air indicator | 14: Power & silent switch |
| 7: Antenna B | 15 Mic |
| 8: Channel A-B audio output | 16: Battery cover |

Parts identification

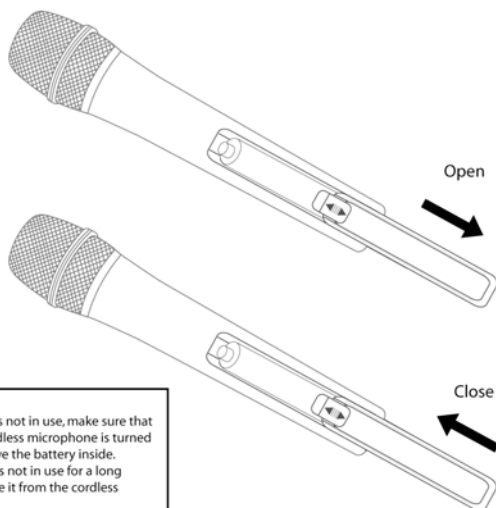


**** Switch the power "ON", and the LED indicator should be flashing, which means that the power supply is normal. If the LED light is permanently still (ON) this means that the battery is in need of replacement.**

The Clip Microphone & Battery



Battery



Note:

When the system is not in use, make sure that the power on the cordless microphone is turned off in order to conserve the battery inside.

When the battery is not in use for a long period of time, remove it from the cordless microphone.

When battery leakage occurs, wipe the contaminated parts of the battery compartment with a cloth before inserting the new battery.