



# RM 05 VHF Radio Microphone System MKII

## User Manual



Order codes:

MIC60 - 173.8Mhz

MIC61 - 175.0Mhz

## WARNING

### FOR YOUR OWN SAFETY, PLEASE READ THIS USER MANUAL CAREFULLY BEFORE YOUR INITIAL START-UP!

- Before your initial start-up, please make sure that there is no damage caused during transportation.
- Should there be any damage, consult your dealer and do not use the equipment.
- To maintain the equipment in good working condition and to ensure safe operation, it is necessary for the user to follow the safety instructions and warning notes written in this manual.
- Please note that damages caused by user modifications to this equipment are not subject to warranty.



#### IMPORTANT:

The manufacturer will not accept liability for any resulting damages caused by the non-observance of this manual or any unauthorised modification to the equipment.

- Never let the power cable come into contact with other cables. Handle the power cable and all mains voltage connections with particular caution!
- Never remove warning or informative labels from the unit.
- Do not open the equipment and do not modify the unit.
- Do not connect this equipment to a dimmer pack.
- Do not switch the equipment on and off in short intervals, as this will reduce the system's life.
- Only use the equipment indoors.
- Do not expose to flammable sources, liquids or gases.
- Always disconnect the power from the mains when equipment is not in use or before cleaning! Only handle the power-cable by the plug. Never pull out the plug by pulling the power-cable.
- Make sure that the available voltage 9-15V DC, 300mA. (240V AC~50Hz power supply included)
- Make sure that the power cable is never crimped or damaged. Check the equipment and the power cable periodically.
- If the equipment is dropped or damaged, disconnect the mains power supply immediately and have a qualified engineer inspect the equipment before operating again.
- If the equipment has been exposed to drastic temperature fluctuation (e.g. after transportation), do not connect power or switch it on immediately. The arising condensation might damage the equipment. Leave the equipment switched off until it has reached room temperature.
- If your product fails to function correctly, stop use immediately. Pack the unit securely (preferably in the original packing material), and return it to your Pro Light dealer for service.
- Only use fuses of same type and rating.
- Repairs, servicing and power connection must only be carried out by a qualified technician. **THIS UNIT CONTAINS NO USER SERVICEABLE PARTS.**
- This fixture is for professional use only - it is not designed for or suitable for household use. The product must be installed by a qualified technician in accordance with local territory regulations. The safety of the installation is the responsibility of the installer. The fixture presents risks of severe injury or death due to fire hazards, electric shock and falls.
- **WARRANTY:** One year from date of purchase.

#### OPERATING DETERMINATIONS

If this equipment is operated in any other way, than those described in this manual, the product may suffer damage and the warranty becomes void. Incorrect operation may lead to danger e.g: short-circuit, burns and electric shocks etc.

In case of malfunction this unit should be returned for service or inspection.

Do not endanger your own safety and the safety of others!

Incorrect installation or use can cause serious damage to people and/or property.

## RM 05 VHF Radio Microphone System MKII

A complete radio microphone system giving the user the choice of handheld, headset or lavalier microphones all from one package.

Requires 1 x PP3 9V and 2 x 1.5V AA batteries not supplied.

- 6.35mm (1/4") jack output
- 1/4" jack to jack patch cable
- UK mains PSU
- Foam lined, ABS carry case



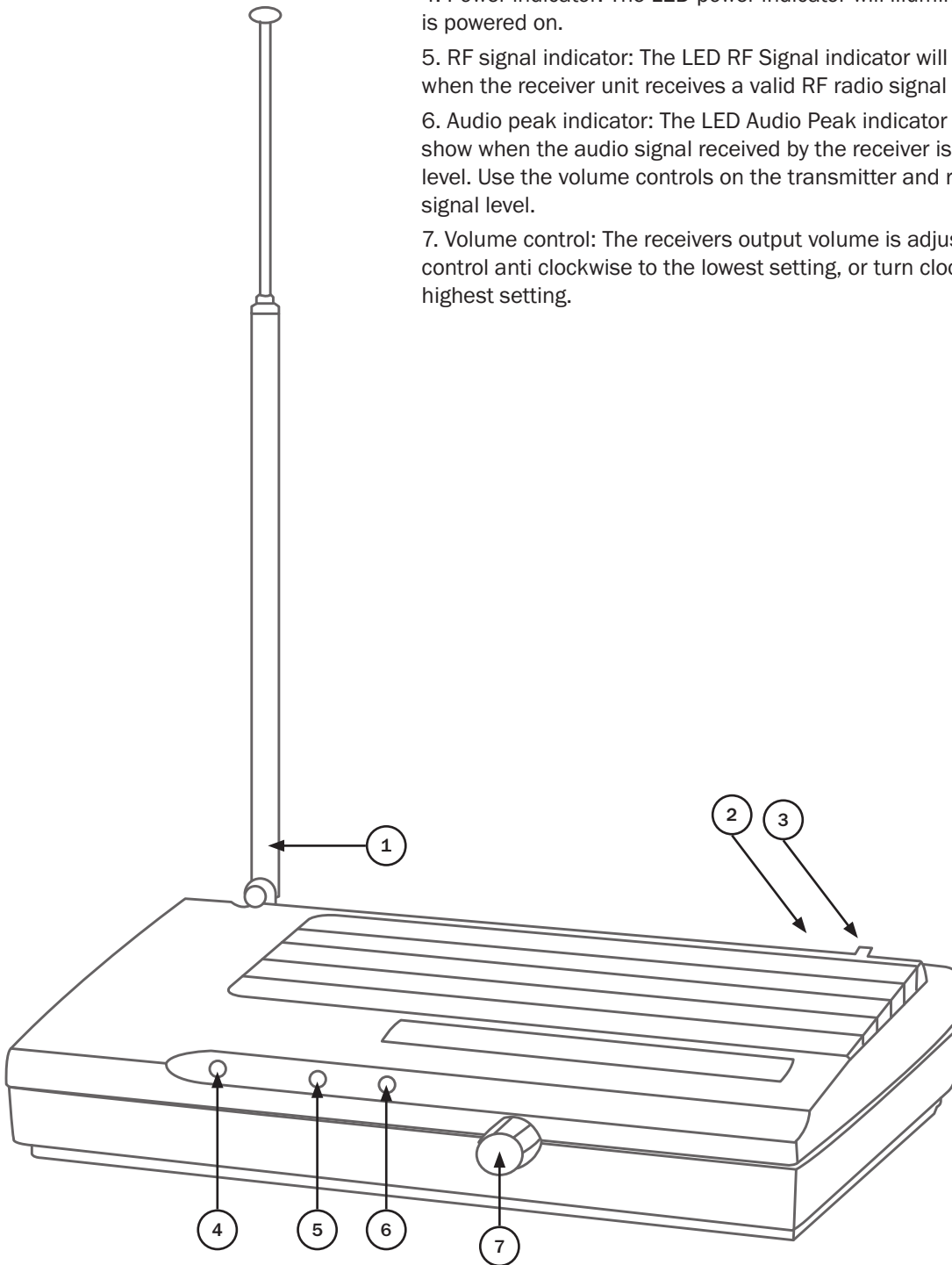
In the box:

**1 x receiver, 1 x beltpack,  
1 x wireless microphone,  
1 x headset microphone  
1 x lavalier microphone,  
1 x PSU, 1 x audio lead,  
1 x carry case  
& 1 x user manual**

Specifications	RM 05 VHF Radio Microphone System MKII	
Operating frequency	173.8Mhz	175.0Mhz
Power supply	DC 12-15V, 500mA (adaptor supplied)	
System in case dimensions	310 x 430 x 100mm	
System in case weight	1.4kg	
Order code	MIC60	MIC61

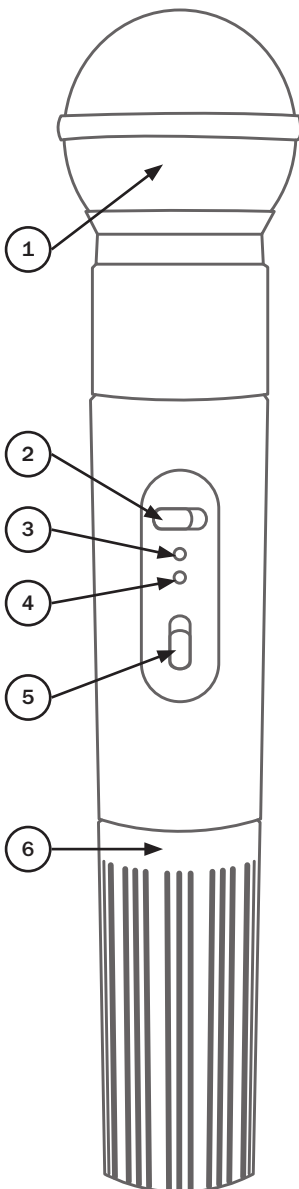
**Receiver panel identification:**

1. Telescopic antenna: The telescopic antenna receives the RF radio signal from the transmitter unit. For optimum reception, extend the antenna fully and orientate vertically. Reception may be impaired by obstacles between the transmitter and receiver. High power electrical equipment can cause unwanted interference.
2. DC power input: The receiver is powered by a standard DC power input 9-15V DC, 300mA regulated voltage supply.
3. Audio output: 6.35mm (1/4") jack socket outputting an unbalanced, 400mV line level audio output.
4. Power indicator: The LED power indicator will illuminate red when the receiver is powered on.
5. RF signal indicator: The LED RF Signal indicator will illuminate green when the receiver unit receives a valid RF radio signal
6. Audio peak indicator: The LED Audio Peak indicator will illuminate amber to show when the audio signal received by the receiver is reaching the maximum level. Use the volume controls on the transmitter and receiver to reduce the audio signal level.
7. Volume control: The receivers output volume is adjustable. Turn the level control anti clockwise to the lowest setting, or turn clockwise to adjust to the highest setting.

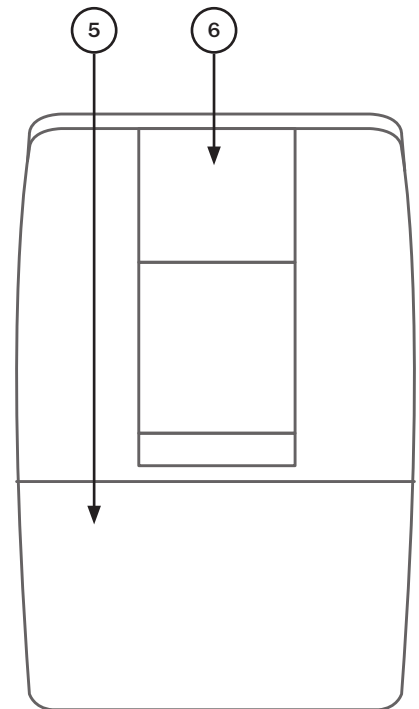
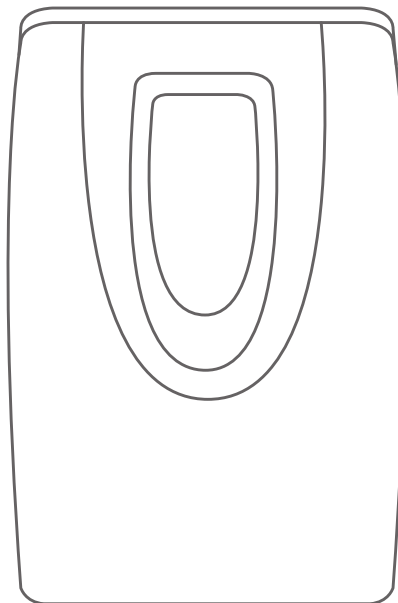
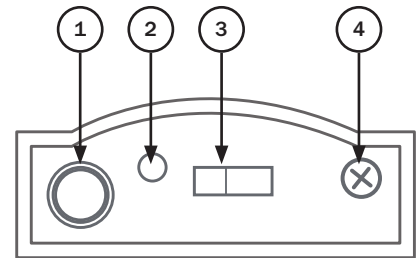


**Handheld transmitter identification:**

1. Grille
2. Power switch
3. Power indicator
4. Battery status indicator
5. Mute switch
6. Battery cover

**Beltpack transmitter identification:**

1. Audio input connector
2. Low power indicator
3. Power switch
4. Volume knob
5. Battery house
6. Belt clip



**Operation:**

- Carefully, lift the antenna into the vertical position and extend fully.
- Connect the included power supply to a suitable 240V AC~ 50Hz mains voltage outlet and plug the DC connector into the DC Power Input on the rear panel of the receiver (9-15V DC, 300mA minimum)
- Using the supplied audio cable, connect the Audio Out on the rear panel of the receiver to the mixer's audio line input.
- Switch on the power, checking the red power LED illuminates.
- Open the battery compartment on the transmitter (Beltpack – slide downwards away from the belt clip. Handheld - unscrew the lower portion). Install the appropriate batteries into the transmitter, taking care to observe the orientation and polarity. Only use high quality, alkaline type batteries. Refit the battery compartment cover carefully.
- Switch on the transmitter, during switch on the battery light on the transmitter should come on. If the transmitter is low on battery the green light illuminates permanently and the battery will require replacement.
- Adjust the volume on the front panel of the receiver and if required also adjust the volume on the belt pack.

**NOTE:**

The RM 05 MKII system is shipped with two transmitters (one handheld and one beltpack). The receiver in this system may only be used with one transmitter at any one time. If the user attempts to power on, and use two transmitters with one receiver the system will malfunction and not operate correctly as one transmitter will cut out the RF Radio signal to the second transmitter.



***Correct Disposal of this Product  
(Waste Electrical & Electronic Equipment)***

**(Applicable in the European Union and other European countries  
with separate collection systems)**

This marking shown on the product or its literature, indicates that it should not be disposed of with other household wastes at the end of its working life. To prevent possible harm to the environment or human health from uncontrolled waste disposal, please separate this from other types of wastes and recycle it responsibly to promote the sustainable reuse of material resources.

Household users should contact either the retailer where they purchased this product, or their local government office, for details of where and how they can take this item for environmentally safe recycling.

Business users should contact their supplier and check the terms and conditions of the purchase contract. This product should not be mixed with other commercial wastes for disposal.



