

MIRACLED

EC - Declaration of Conformity

We declare that our products (lighting equipments) comply with the following specification and bears CE mark in accordance with the provision of the Electromagnetic Compatibility (EMC) Directive 89/336/EEC.

EN55014-2: 1997 A1: 2001, EN61000-4-2: 1995; EN61000-4-3: 2002;

EN61000-4-4: 1995; EN61000-4-5: 1995, EN61000-4-6: 1996,

EN61000-4-11: 1994.

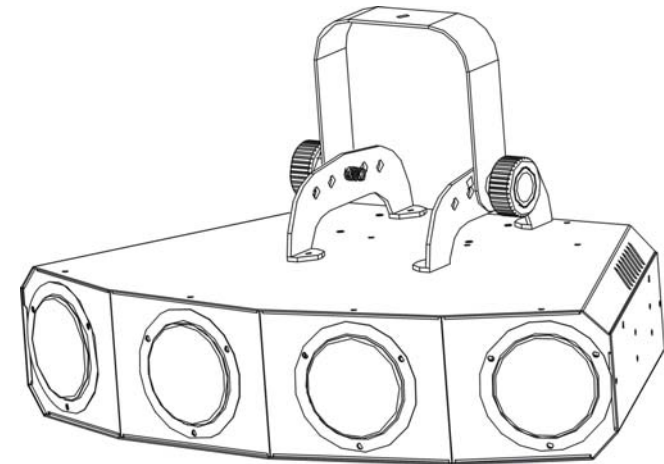
&

Harmonized Standard

EN60598-1: 2000+ALL: 2000+A12: 2002

Safety of household and similar electrical appliances

Part 1: General requirements



LED-747

User Manual

Please read the instructions carefully before use

Innovation, Quality, Performance

TABLE OF CONTENTS

1. Safety Instructions
2. Technical Specifications
3. Main Function
4. How to control the fixture
5. DMX 512 Configuration
6. DMX 512 Connections
7. Troubleshooting
8. Fixture Cleaning

8. Fixture Cleaning

The cleaning of internal must be carried out periodically to optimize light output. Cleaning frequency depends on the environment in which the fixture operates: damp, smoky or particularly dirty surrounding can cause greater accumulation of dirt on the fixture's optics.

- Clean with soft cloth using normal glass cleaning fluid.
- Always dry the parts carefully.
- Clean the external optics at least every 20 days. Clean the internal optics at least every 30/60 days.

7. Troubleshooting

Following are a few common problems that may occur during operation. Here are some suggestions for easy troubleshooting:

A. The fixture does not work, no light and the fan does not work

1. Check the connection of power and main fuse.
2. Measure the mains voltage on the main connector.

B. Not responding to DMX controller

1. DMX LED should be on. If not, check DMX connectors, cables to see if link properly.
2. If the DMX LED is on and no response to the channel, check the address settings and DMX polarity.
3. If you have intermittent DMX signal problems, check the pins on connectors or on PCB of the fixture or the previous one.
4. Try to use another DMX controller.
5. Check if the DMX cables run near or run alongside to high voltage cables that may cause damage or interference to DMX interface circuit.

C. Some fixtures don't respond to the easy controller

1. You may have a break in the DMX cabling. Check the LED for the response of the master/ slave mode signal.
2. Wrong DMX address in the fixture. Set the proper address.

D. No response to the sound

1. Make sure the fixture does not receive DMX signal.
2. Check microphone to see if it is good by tapping the microphone.

E. One of the channels is not working well

1. The stepper motor might be damaged or the cable connected to the PCB is broken.
2. The motor's drive IC on the PCB might be out of condition.

1. Safety Introductions



WARNING

Please read the instructions carefully which includes important information about the installation, operation and maintenance.

- Please keep this User Manual for future consultation. If you sell the fixture to another user, be sure that they also receive this instruction booklet.
- Unpack and check carefully there is no transportation damage before using the fixture.
- Before operating, ensure that the voltage and frequency of power supply match the power requirements of the fixture.
- It's important to ground the yellow/green conductor to earth in order to avoid electric shock.
- Disconnect main power before servicing and maintenance.
- Use safety chain when fixes this fixture. Don't handle the fixture by taking its head only, but always by taking its base.
- Maximum ambient temperature is $T_a : 40^{\circ}\text{C}$. Don't operate it where the temperature is higher than this.
- In the event of serious operating problem, stop using the fixture immediately. Never try to repair the fixture by yourself. Repairs carried out by unskilled people can lead to damage or malfunction. Please contact the nearest authorized technical assistance center. Always use the same type spare parts.
- Do not connect the device to any dimmer pack.
- Do not touch any wire during operation and there might be a hazard of electric shock.
- To prevent or reduce the risk of electrical shock or fire, do not expose the fixture to rain or moisture.
- The housing must be replaced if they are visibly damaged.
- Do not look directly at the LED light beam while the fixture is on.
- There are no user serviceable parts inside the fixture. Do not open the housing or attempt any repairs by yourself. In the unlikely event your fixture may require service, please contact your nearest dealer.

For power supply, do not connect in series much more than 20 units, use another mains supply for next 20 units.

2. Technical Specifications

- It can be operated by DMX512 control or can be used as an individual unit without controller.
- It can be linked together as many as required in master/slave mode, and perform the great built-in programmed lighting shows triggered by music.
- Please use a 3 pin XLR cable/plug when connecting them together.
- It features different pre-programmed chase patterns.

Channels

4 Channel Mode	7 Channel Mode	Function
Ch1	Ch1	Mode
Ch2	Ch2-5	Pattern/Chase
Ch3	Ch6	Pattern Strobe/Chase Speed
Ch4	Ch7	Dimmer

Power supply

Input Voltage : AC 230V~50Hz

Power consumption: 30W

LED

Total 224pcs, Red 80pcs, Green 60pcs, Blue 48pcs, White 36pcs

• **Dimension:** 473mm x 279mm x 103mm

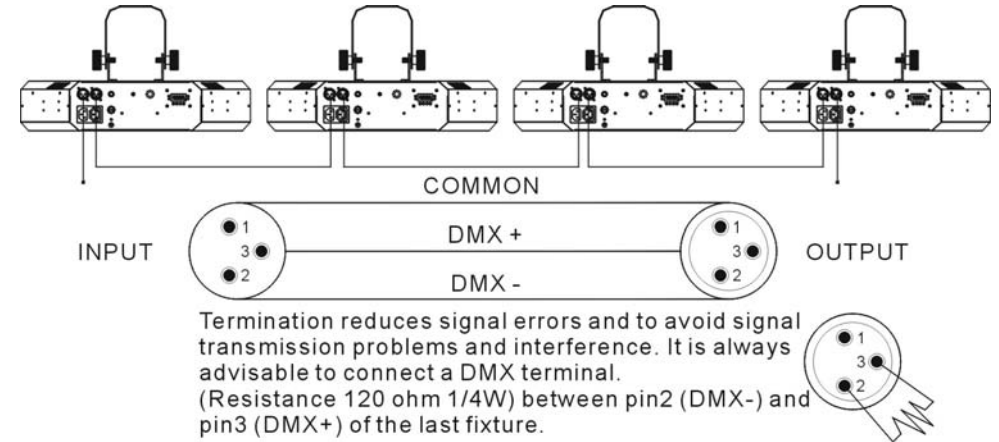
• **Weight:** 5KG

3. Main Function

To select any functions, press **MENU** button until the required one is shown on the display. Select the function by **ENTER** button and the display will blink. Use **DOWN** and **UP** button to change the mode. Once the required mode has been selected, press **ENTER** button to setup or it will automatically return to the main functions without any change after idling 10 seconds. Back to the functions without any change press **MENU** button. The main functions are shown below:

6. DMX512 Connections

The DMX512 is widely used in intelligent lighting control, with a maximum of 512 channels.



1. Connect the fixture together in a "daisy chain" by XLR plug cable from the output of the fixture to the input of the next fixture. The cable cannot be branched or split to a "Y" cable. Inadequate or damaged cables, soldered joints or corroded connectors can easily distort the signal and shut down the system
2. The DMX output and input connectors are pass-through to maintain the DMX circuit when no power is connected to the fixture.
3. At last fixture, the DMX cable has to be terminated with a terminator to reduce signal errors. Solder a 120-ohm 1/4W resistor between pin 2(DMX-) and pin 3(DMX+) into a 3-pin XLR-plug and plug it in the DMX-output of the last fixture.
4. Each lighting fixture needs to have an address set to receive the data sent by the controller. The address number is between 0-511 (usually 0 & 1 are equal to 1).
5. 3 pin XLR connectors are more popular than 5 pins XLR.
 3 pin XLR: Pin 1: GND, Pin 2: Negative signal (-), Pin 3: Positive signal (+)
 5 pin XLR: Pin 1: GND, Pin 2: Negative signal (-), Pin 3: Positive signal (+)

4.3 DMX Controller

An universal DMX controller to control the units, you have to set DMX address from 1 to 512 channel so that the units can receive DMX signal.

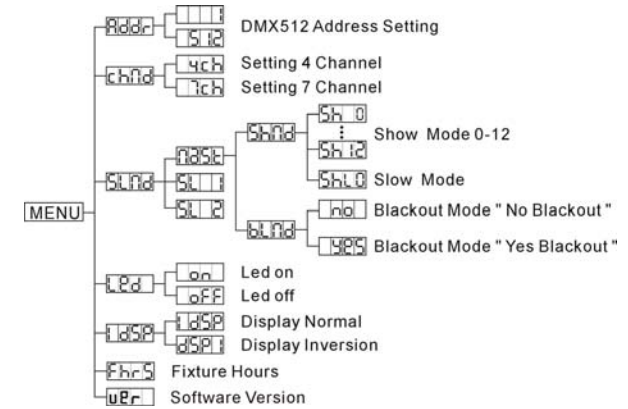
Press the **MENU** button up to when the **Addr** is showing on the display. Pressing **ENTER** button and the display will blink. Use **DOWN** and **UP** button to change the DMX512 address. Once the address has been selected, press and keep **ENTER** button pressed up to when the display stops blinking or storing automatically 8 seconds later. To go back to the functions without any change press the **MENU** button again. If you use please refer to the following diagram to address your DMX512 channel for the first 4 units.

DMX address can be setting remotely by IL-0824 controller. No need to calculate the DMX channels of each fixture in the chain.



5. DMX512 Configuration

DMX512 Configuration					
Ch1	Ch2		Ch3		Ch4
Ch1	Ch2-5		Ch6		Ch7
Mode	Pattern	Chase	Pattern Strobe	Chase Speed	Dimmer
240-255 Stand-alone	250-255 Pattern 25	250-255 Chase 25	Fast Strobe	Fast Speed	255-100%
	240-249 Pattern 24	240-249 Chase 24			
	230-239 Pattern 23	230-239 Chase 23			
	220-229 Pattern 22	220-229 Chase 22			
	210-219 Pattern 21	210-219 Chase 21			
	200-209 Pattern 20	200-209 Chase 20			
	190-199 Pattern 19	190-199 Chase 19			
	180-189 Pattern 18	180-189 Chase 18			
	170-179 Pattern 17	170-179 Chase 17			
	160-169 Pattern 16	160-169 Chase 16			
120-239 Chase	150-159 Pattern 15	150-159 Chase 15	Slow Strobe	Slow Speed	0-0%
	140-149 Pattern 14	140-149 Chase 14			
	130-139 Pattern 13	130-139 Chase 13			
	120-129 Pattern 12	120-129 Chase 12			
	110-119 Pattern 11	110-119 Chase 11			
	100-109 Pattern 10	100-109 Chase 10			
	090-099 Pattern 09	090-099 Chase 09			
	080-089 Pattern 08	080-089 Chase 08			
	070-079 Pattern 07	070-079 Chase 07			
	060-069 Pattern 06	060-069 Chase 06			
0-119 Pattern	050-059 Pattern 05	050-059 Chase 05	Blackout		
	040-049 Pattern 04	040-049 Chase 04			
	030-039 Pattern 03	030-039 Chase 03			
	020-029 Pattern 02	020-029 Chase 02			
	010-019 Pattern 01	010-019 Chase 01			
	000-009 Blackout	000-009 Blackout			



Addr DMX 512 Address Setting

Press the **MENU** button up to when the **Addr** is shown on the display. Pressing **ENTER** button and the display will blink. Use **DOWN** and **UP** button to change the DMX 512 address. Once the address has been selected, press **ENTER** button to setup or automatically return to the main functions without any change after 10 seconds. Back to the previous functions without any change press **MENU** button.

Chnd Channel Mode

Press the **MENU** button up to when the **Chnd** is shown on the display. Pressing **ENTER** button and the display will blink. Use **DOWN** and **UP** button to select the (4 channel) or (7 Channel) mode. Once the mode has been selected, press the **ENTER** button to setup or automatically return to the main functions without any change after 10 seconds. To go back to the functions without any change press the **MENU** button again.

Slnd Master Mode

Press the **MENU** button up to when the **Slnd** is shown on the display. Pressing **ENTER** button, Use **DOWN** and **UP** button to select the **025E**, Pressing **ENTER** button, Use **DOWN** and **UP** button to select the **Shnd** or **Blnd**. Select the **Shnd** Pressing **ENTER** button, Use **DOWN** and **UP** button to select the **Sh 0** or **Sl 10**. Select the **Blnd** Pressing **ENTER** button. Use **DOWN** and **UP** button to select the Yes or No Blackout, Back to the main functions, press the **MENU** button twice.

SLNd Slave Mode

Press the **MENU** button up to when the **SLNd** is shown on the display. Pressing **ENTER** button, Use **DOWN** and **UP** button to select the **SL11** or **SL22**(Slave Mode 1 and 2). Back to the previous functions without any change press **MENU** button.

LEd LED

Press the **MENU** button up to when the **LEd** is shown on the display. Pressing **ENTER** button and the display will blink. Use **DOWN** and **UP** button to select the (ON) or (OFF) mode. Once the mode has been selected, press **ENTER** button to setup or automatically return to the main functions without any change after 10 seconds. Back to the functions without any change press **MENU** button again.

IdSP Display Inverse

Press **MENU** button until **IdSP** is blinking on the display. Pressing **ENTER** button. Once the mode has been selected, press **ENTER** button to setup or automatically return to the main functions without any change after 10 seconds. Back to the functions without any change press **MENU** button again.

FhrS Fixture Hours

Press the **MENU** button up to when the **FhrS** is blinking on the display. Pressing **ENTER** button and the display will show the number of working hours of the unit. To go back to the functions press the **MENU** button again.

vEr Software version

Press the **MENU** button up to when the **vEr** is blinking on the display. Pressing **ENTER** button and the display will show the version of software of the unit. To go back to the functions press the **MENU** button again.

4. How To Control The Unit

You can operate the unit in three ways:

1. By master/slave built-in preprogram function
2. By easy controller
3. By universal DMX controller

No need to turn the unit off when you change the DMX address, as new DMX address setting will be effected at once. Every time you turn the unit on, it will show the type on the display and move all the motors to their 'home' position and you may hear some noises for about 20 seconds. After that the unit will be ready to receive DMX signal or run the built in programs.

4.1 Master/Slave Built In Preprogrammed Function

By linking the units in master/slave connection, the first unit will control the other units to give an automatic, sound activated, synchronized light show. This function is good when you want an instant show. You have to set the first unit in master mode **ShNd** and select **Sh11** (show 1) or **Sh22** (show 2) or **Sh33** (show 3) or **Sh44** (show 4) mode. Its DMX input jack will have nothing plugged into it, and Its master LED will be constantly on and sound LED will flash to the music. The other units will have to set in slave mode **SLNd** and select **SL11** (normal) or **SL22** (2 light show) mode, Their DMX cables plugged into the DMX input jacks (daisy chain) and the slave led lights will constantly on.

2-light show

In **SLNd** (slave mode), **SL11** means the unit works normally and **SL22** means 2-light show. In order to create a great light show, you can set **SL22** on the second unit to get contrast movement to each other, even if you have two units only.

4.2. Easy Controller (by CA-8)

The easy remote control is used only in master/slave mode. There is a terminator for connect the easy controller inside the fixture. By connecting the cable into DMX IN waterproof cable entry gland to the CA-8 terminator of the first fixture, you will find that the remote control on the first fixture will control all the other fixtures for Stand by, Function and Mode functions.

Blackout	Blackout the unit		
Function	Random (Fast)	Random (Slow)	Chase Select (Chase 1-12)
Mode	(LED OFF)	(LED ON)	(LED Strobe)

