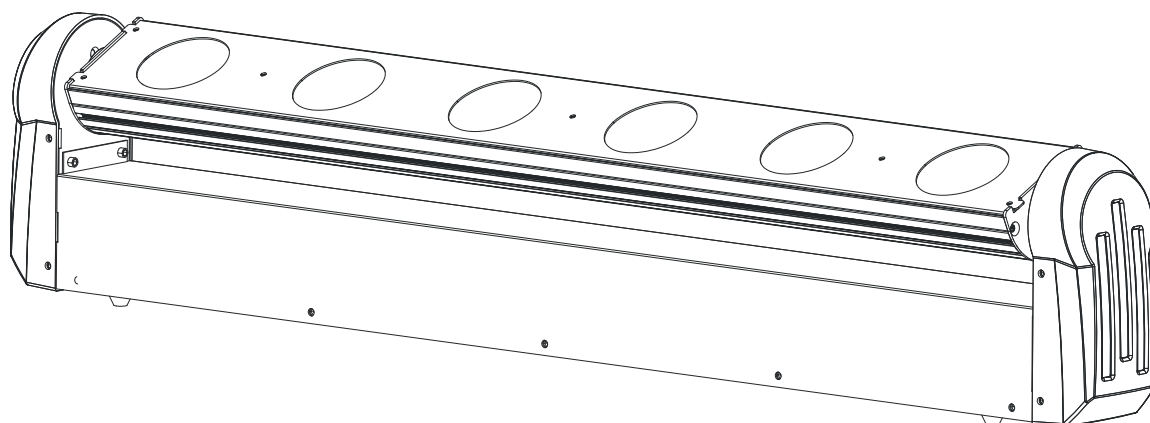




8W SCANNER BEAM



LED-MTX6S-8W

User Manual

Please read the instruction carefully before use

CONTENTS

1. Safety Instructions.....	2
2. Technical Specifications.....	3
3. How To Set The Unit.....	4
3.1 Control Panel	4
3.2 Main Function	5
3.3 Home Position Adjustment	10
4. How to Control the Unit	11
4.1 Master/Slave Built In Preprogrammed Function.....	11
4.2 Easy CA-8 Controller.....	11
4.3 DMX Controller.....	12
5. DMX 512 Configuration	13
6. DMX Connection	15
7. Troubleshooting	16
8. Fixture Cleaning.....	17

1. Safety Instructions



WARNING

Please read the instructions carefully which includes important information about the installation, operation and maintenance.

Please keep this User Manual for future consultation. If you sell the unit to another user, be sure that they also receive this instruction booklet.

- Unpack and check carefully there is no transportation damage before using the unit.
- Before operating, ensure that the voltage and frequency of power supply match the power requirements of the unit.
- It's important to ground the yellow/green conductor to earth in order to avoid electric shock.
- The unit is for indoor use only. Use only in a dry location.
- The unit must be installed in a location with adequate ventilation, at least 50cm from adjacent surfaces. Be sure that no ventilation slots are blocked.
- Disconnect main power before replacement or servicing.
- Make sure there are no flammable materials close to the unit while operating as it is fire hazard.
- Use safety cables when fixing this unit.
- Maximum ambient temperature is T_a : 40 degrees C. DO NOT operate it where the temperature is higher than this.
- In the event of a serious operating problem, stop using the unit immediately. Never try to repair the unit by yourself. Repairs carried out by unskilled people can lead to damage or malfunction. Please contact the nearest authorized technical assistance center. Always use the same type spare parts.
- DO NOT touch any cables during operation as high voltage may cause electric shock.

Warning:

- To prevent or reduce the risk of electrical shock or fire, do not expose the unit to rain or moisture.
- The housing and lenses must be replaced if they are visibly damaged.

Caution:

There are no user serviceable parts inside the unit. Do not open the housing or attempt any repairs yourself. In the unlikely event your unit may require service, please contact your nearest dealer.

Installation:

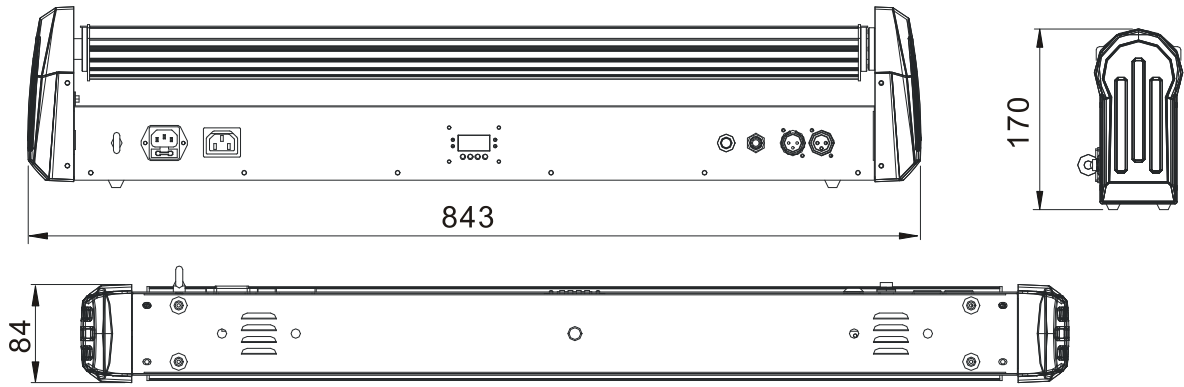
The unit should be mounted via its screw holes on the bracket. Always ensure that the unit is firmly fixed to avoid vibration and slipping while operating. Make sure that the structure to which you are attaching the unit is secure and is able to support a weight of 10 times of the unit's weight. Also always use a safety cable that can hold 12 times of the weight of the unit when installing the fixture.

The equipment must be installed by professionals. It must be fixed at a place where is out of the reach of people and no one pass by or under it.

2. Technical Specifications

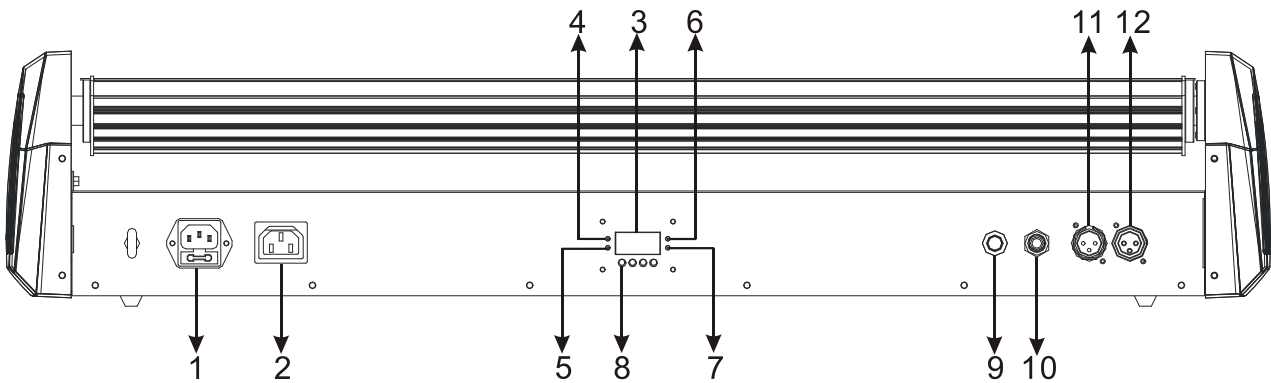
- 6 x 8W high power LED creating a powerful, scanning beam effect
- Electronic strobe with pulse and random effects
- High efficiency and low power consumption

◇ Power Voltage:	AC 100-240V, 50/60Hz
◇ Power Consumption:	64.5W
◇ Power Cable Daisy Chains:	9 Fixtures Max. (230V, 50Hz) 5 Fixtures Max. (120V, 60Hz)
◇ Fuse:	T 6.3A
◇ LED Sources:	6 x 8W White LEDs
◇ Dimension:	843 x 84 x 170mm
◇ Weight:	5.5kgs



3. How To Set The Unit

3.1 Control Panel



- 1. **POWER IN:** Connects to power supply
- 2. **POWER OUT:** Connects to next fixture
- 3. **Function Display:** Shows the various menus and the selected function

LED:

4. DMX	On	DMX input present
5. MASTER	On	Master Mode
6. SLAVE	On	Slave Mode
7. SOUND	Flashing	Sound activation

8. Button:

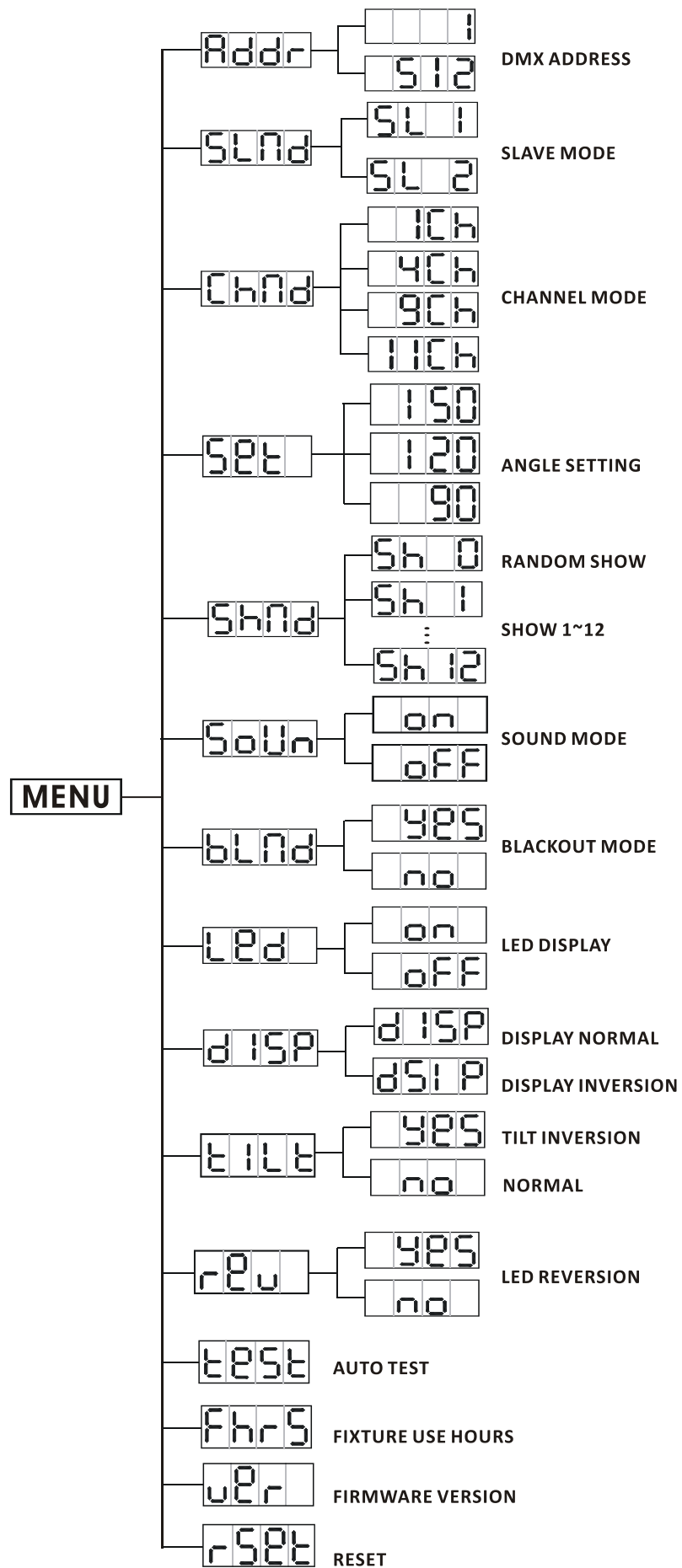
MENU	To select the programming functions
▼ DOWN	To go backward in the selected functions
▲ UP	To go forward in the selected functions
ENTER	To confirm the selected functions

- 9. Microphone:** Receives music signals for sound active mode
- 10. Only for remote control:** Connects with the optional CA-8 to control the unit
- 11. DMX IN:** DMX 512 link, use 3-pin XLR cable to link the unit and the DMX controller
- 12. DMX OUT:** DMX 512 link, use 3-pin XLR cable to link the next unit and output the DMX signal

3.2 Main Function

To select any of the given functions, press the **MENU** button up to the required selection as shown on the display. Select the function by pressing the **ENTER** button and the display will blink. Use the **DOWN/UP** buttons to change the mode. Once the required mode has been selected, press the **ENTER** button to confirm. To go back to the main function without any change press the **MENU** button again. Press and hold the **MENU** button for about one second or wait for 7 seconds to exit the current mode.

The main functions are shown below:



Addr DMX 512 ADDRESS

To select **Addr**, press the **ENTER** button to show **DMX ADDRESS** on the display. Use the **DOWN/UP** buttons to adjust the address from 1 to 512. Once the address has been selected, press the **ENTER** button to setup. To go back to the functions without any changes press the **MENU** button again. Press and hold the **MENU** button for about one second or wait for 7 seconds to exit the menu mode.

SLMd SLAVE MODE

To select **SLMd**, press the **ENTER** button to show **SLAVE MODE** on the display. Use the **DOWN/UP** buttons to select **SLM1** (normal) or **SLM2** (2 light show) mode. Once selected, press the **ENTER** button to setup. To go back to the functions without any changes press the **MENU** button again. Press and hold the **MENU** button for about one second or wait for 7 seconds to exit the menu mode.

ChMd CHANNEL MODE

To select **ChMd**, press the **ENTER** button to show **CHANNEL MODE** on the display. Use the **DOWN/UP** button to select **1, 4, 9** or **11** channel modes. Once the mode has been selected, press the **ENTER** button to setup. To go back to the functions without any changes press the **MENU** button again. Press and hold the **MENU** button for about one second or wait for 7 seconds to exit the menu mode.

SEt ANGLE SETTING

To select **SEt**, press the **ENTER** button to show **ANGLE SETTING** on the display. Use the **DOWN/UP** button to select the **150°, 120°** or **90° mode**. Once the angle has been selected, press the **ENTER** button to setup. To go back to the functions without any changes press the **MENU** button again. Press and hold the **MENU** button for about one second or wait for 7 seconds to exit the menu mode.

SHnd SHOW MODE

To select **SHnd**, press the **ENTER** button to show **SHOW MODE** on the display. Use the **DOWN/UP** buttons to select **SH 0** (**Show 0**, random show) or **SH 1** (**Show 1**) or **SH 2** (**Show 2**) or ... or **SH 12** (**Show 12**). Once the show has been selected, press the **ENTER** button to setup. To go back to the functions without any changes press the **MENU** button again. Press and hold the **MENU** button for about one second or wait for 7 seconds to exit the menu mode.

SoUn SOUND MODE

To select **SoUn**, press the **ENTER** button to show **SOUND MODE** on the display. Use the **DOWN/UP** buttons to select **on** (sound on) or **off** (sound off). Once selected, press the **ENTER** button to setup. To go back to the functions without any changes press the **MENU** button again. Press and hold the **MENU** button for about one second or wait for one minute to exit the menu mode.

bLnd BLACKOUT MODE

To select **bLnd**, press the **ENTER** button to show **BLACKOUT MODE** on the display. Use the **DOWN/UP** buttons to select **yes** (blackout) or **no** (normal) mode. Once the mode has been selected, press the **ENTER** button to setup. To go back to the functions without any changes press the **MENU** button again. Press and hold the **MENU** button for about one second or wait for 7 seconds to exit the current mode.

LEd LED DISPLAY

To select **LEd**, press the **ENTER** button to show **LED DISPLAY** on the display. Use the **DOWN/UP** button to select **on** (LED on) or **off** (LED off) mode. Once the mode has been selected, press the **ENTER** buttons to setup. To go back to the functions without any changes press the **MENU** button again. Press and hold the **MENU** button for about one second or wait for 7 seconds to exit the current mode.

DISP DISPLAY INVERSE

To select **DISP**, press the **ENTER** button to show **DISPLAY** on the display, and press the **ENTER** button again, it will show the **DISP** (inversion). To go back to the functions without any changes press the **MENU** button.

TILT TILT INVERSION

To select **TILT**, press the **ENTER** button to show the **TILT** on the display. Use the **DOWN/UP** buttons to select **YES** (activate tilt inversion) or **NO** (Normal, deactivate tilt inversion). Once the mode has been selected, press the **ENTER** button to setup. To go back to the functions without any changes press the **MENU** button again. Press and hold the **MENU** button for about one second or wait for 7 seconds to exit the menu mode.

REV LED INVERSION

To select **REV**, press the **ENTER** button to show **REVERSION** on the display. Use the **DOWN/UP** buttons to select **YES** (the leds will light up from right to left) or **NO** (Normal, the leds will light up from left to right). Once the mode has been selected, press the **ENTER** button to setup. To go back to the functions without any changes press the **MENU** button again. Press and hold the **MENU** button for about one second or wait for 7 seconds to exit the menu mode.

TEST AUTO TEST

To select **TEST**, press the **ENTER** button to show **TEST** on the display and the unit will run a self-test . To go back to the functions without any changes press the **MENU** button again. Press and hold the **MENU** button for about one second or wait for 7 seconds to exit the current mode.

TEMP TEMPERATURE

To select **TEMP**, press the **ENTER** button to show the **TEMPERATURE** on the display and the display will show the temperature of the unit. To go back to the functions without any changes

press the **MENU** button again. Press and hold the **MENU** button for about one second or wait for 7 seconds to exit the menu mode.

Fhrs FIXTURE HOURS

To select **Fhrs**, press the **ENTER** button to show **FIXTURE HOURS** on the display and the display will show the number of working hours of the unit . To go back to the functions without any changes press the **MENU** button again. Press and hold the **MENU** button for about one second or wait for 7 seconds to exit the current mode.

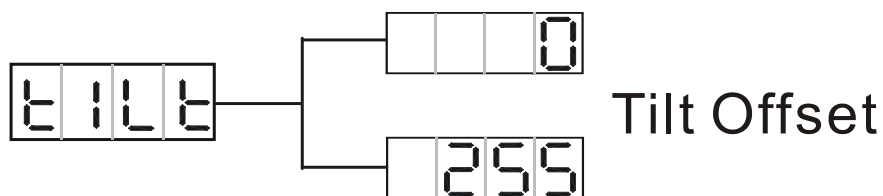
ver SOFTWARE VERSION

To select **ver**, press the **ENTER** button to show **SOFTWARE VERSION** on the display and the display will show the version of software of the unit . To go back to the functions without any changes press the **MENU** button again. Press and hold the **MENU** button for about one second or wait for 7 seconds to exit the current mode.

rset RESET

To select **rset**, press the **ENTER** button to show the **RESET** on the display. Press the **ENTER** button and all channels of the unit will return to their standard position.

3.3 Home Position Adjustment



Press the **MENU** button into menu mode, and press the **ENTER** button for about 7 seconds to show **TILT** (tilt offset) on the display. Press the **ENTER** button again and then use the **DOWN/UP** buttons to adjust its home position (**0 ~ 255**), press the **ENTER** button to store and automatically return to the last menu. Press the **MENU** button to exit.

4. How to Control the Unit

You can operate the unit in three ways:

1. Master/slave built-in preprogram function
2. Easy controller (optional CA-8)
3. Universal DMX controller

You do not need to turn the unit off when you change the DMX address, the new DMX address setting will take effect immediately.

4.1 Master/Slave Built In Preprogrammed Function

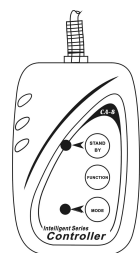
By linking the units in master/slave connection, the first unit will control the other units to give an automatic, sound activated, synchronized light show. This function is good when you want an instant show. You have to set the first unit in master mode and select **SH 0** (random show) or **SH 1** (show 1) or... or **SH 12** (show 12) mode. Any other units will have to be set in slave mode **SLND** and select **SL 1** (normal) or **SL 2** (2-light show) mode.

2-light show

In **SLND** (slave mode), **SL 1** means the unit works normally and **SL 2** means 2-light show. In order to create a great light show, you can set **SL 2** on the second unit to get contrast movement to each other.

4.2 Easy CA-8 Controller

The easy CA-8 remote control is used only in master/slave mode. By connecting to the 1/4" jack socket of the first unit. You will find that the remote control in the first unit will control all the other units for Stand by, Function and Mode selection.



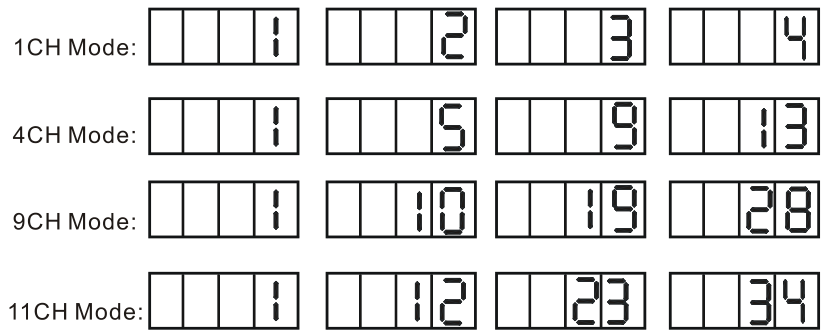
Blackout	Blackout the unit	
Function	1. Sound Strobe (Full On) 2. Auto Strobe (Full On)	Select Show Show1-12
Mode	Random Show (LED OFF)	Show (LED ON)

4.3 DMX Controller

By using a universal DMX controller to control the units, you must set a DMX address from 1 to 512.

Press the **MENU** button up to where **Addr** is showing on the display. Press the **ENTER** button and the display will blink. Use the **DOWN/UP** buttons to change the DMX512 address. Once the address has been selected, press and hold the **ENTER** button until the display stops blinking or it will store automatically after 7 seconds. To go back to the functions without any changes press the **MENU** button again.

Please refer to the following diagram to address your DMX 512 channel for the first 4 units:



5. DMX 512 Configuration

1/4 Channels Mode:

DMX512 CONFIGURATION				
1 CH (MODE 1)	4 CH (MODE 2)			
Ch 1	Ch 1	Ch 2	Ch 3	Ch 4
SHOW	TILT	TILT MACRO	MACRO SPEED	MASTER DIMMER
248-255 Random Show		224-255 Macro 7 90° -180°		
228-247 Show 12		188-223 Macro 6 0° -90°		
208-227 Show 11		152-187 Macro 5 -30° -210°		
188-207 Show 10		116-151 Macro 4 0° -180°		
168-187 Show 9		080-115 Macro 3 30° -130°		
148-167 Show 8		044-079 Macro 2 45° -135°		
128-147 Show 7		008-043 Macro 1 60° -120°		
108-127 Show 6		000-007 Blackout		
088-107 Show 5				
068-087 Show 4				
048-067 Show 3				
028-047 Show 2				
008-027 Show 1				
000-007 Blackout				

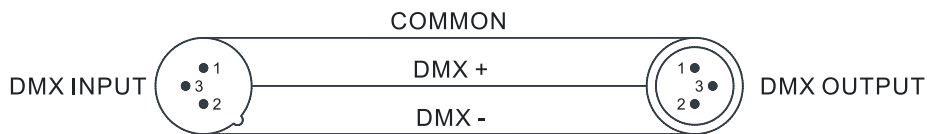
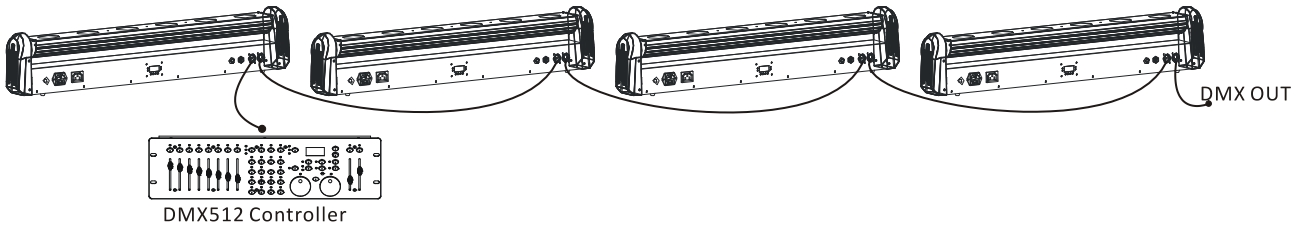
9 Channels Mode:

DMX512 CONFIGURATION			
9 CH (MODE 3)			
Ch 1	Ch 2	Ch 3	Ch 4~9
TILT	MASTER DIMMER	STROBE	DIMMER LED 1 ~LED 6
<p>255 — 210° ↑ 0 — -30°</p>	<p>255 — 100% 0 — 0%</p>	<p>248-255 — Open</p> <p>240-247 — Random Strobe</p> <p>232-239 — Open</p> <p>190-231 — Fast Open Slow Close</p> <p>182-189 — Open</p> <p>140-181 — Slow Open Fast Close</p> <p>132-139 — Open</p> <p>016-131 — ⚡⚡⚡ ⚡⚡ ⚡</p> <p>000-015 — Open</p>	<p>255 — 100% 0 — 0%</p>

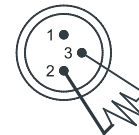
11 Channels Mode:

DMX512 CONFIGURATION					
11 CH (MODE 4)					
Ch 1	Ch 2	Ch 3	Ch 4	Ch 5	Ch 6~11
TILT	TILT MACRO	MARCO SPEED	MASTER DIMMER	STROBE	DIMMER LED 1 ~LED 6
255 ↑ 210° ↓ 0 -30°	224-255 Macro 7 90° -180° 188-223 Macro 6 0° -90° 152-187 Macro 5 -30° -210° 116-151 Macro 4 0° -180° 080-115 Macro 3 30° -130° 044-079 Macro 2 45° -135° 008-043 Macro 1 60° -120° 000-007 Blackout	008-255 ↑ Fast ↓ Slow 000-007 Blackout	255 100% ↓ 0 0%	248-255 Open 240-247 Random Strobe 232-239 Open 190-231 Fast Open SlowClose 182-189 Open 140-181 Slow Open Fast Close 132-139 Open 016-131 ⚡⚡⚡ ⚡⚡ ⚡ 000-015 Open	255 100% ↓ 0 0%

6. DMX Connection



Termination reduces signal errors and to avoid signal transmission problems and interference. It is always advisable to connect a DMX terminal. (Resistance 120 ohm 1/4W) between pin2(DMX-) and pin3(DMX+) of the last fixture.



1. The last units DMX cable has to be terminated with a 120 ohm 1/4W resistor between pin 2(DMX-) and pin 3(DMX+) of a 3-pin XLR-plug and plug it in the DMX-output of the last unit.
2. Connect the unit together in a `daisy chain` by XLR plug from the output of the unit to the input of the next unit. The cable can not branched or split to a `Y` cable.

3. The DMX output and input connectors are pass-through type to maintain the DMX circuit, even when one of the units' power is disconnected.
4. Each fixture unit needs to have an address set to receive the data sent by the controller. The address number is between 0-511 (usually 0 & 1 are equal to 1).
5. The end of the DMX 512 system should be terminated to reduce signal errors.

7. Troubleshooting

Following are a few common problems that may occur during operation. Here are some suggestions for easy troubleshooting:

A. The unit does not work, no light and the fan does not work

1. Check the connection of power and main fuse.

B. Not responding to DMX controller

1. DMX LED should be on. If not, check DMX connectors and cables to see if link properly.
2. If the DMX LED is on but no response check the address settings and DMX polarity.
3. If you have intermittent DMX signal problems check the cables on connectors.
4. Try to another DMX controller.
5. Check if the DMX cables run near or run alongside high voltage cables that may cause interference to DMX circuits.

C. Some units don't respond to the easy controller

1. You may have a break in the DMX cabling. Check the LED for the response of the master/slave mode signal.
2. Wrong DMX address in the unit. Set the correct address.

D. No response to the sound

1. Make sure the unit is set into the correct mode.
2. Check the microphone to see if it is good by tapping it.
3. Make sure the fixture is not set into Blackout mode

8. Fixture Cleaning

The cleaning of external must be carried out periodically to optimize light output. Cleaning frequency depends on the environment in which the fixture operates: damp, smoky or particularly dirty surrounding can cause greater accumulation of dirt on the fixture's optics.

- Clean with soft cloth using normal glass cleaning fluid.
- Always dry the parts carefully.
- Clean the external optics at least every 30 days.

Declaration of Conformity

We declare that our products (lighting equipments) comply with the following specification and bears CE mark in accordance with the provision of the Electromagnetic Compatibility (EMC) Directive 89/336/EEC.

EN55103-1: 2009 ; EN55103-2: 2009; EN62471: 2008;
EN61000-3-2: 2006 + A1:2009 + A2:2009; EN61000-3-3: 2008.

&

Harmonized Standard

EN 60598-1:2008 + All:2009; EN 60598-2-17:1989 + A2:1991; EN 62471:2008;
EN 62493: 2010

Safety of household and similar electrical appliances
Part 1: General requirements

Innovation, Quality, Performance