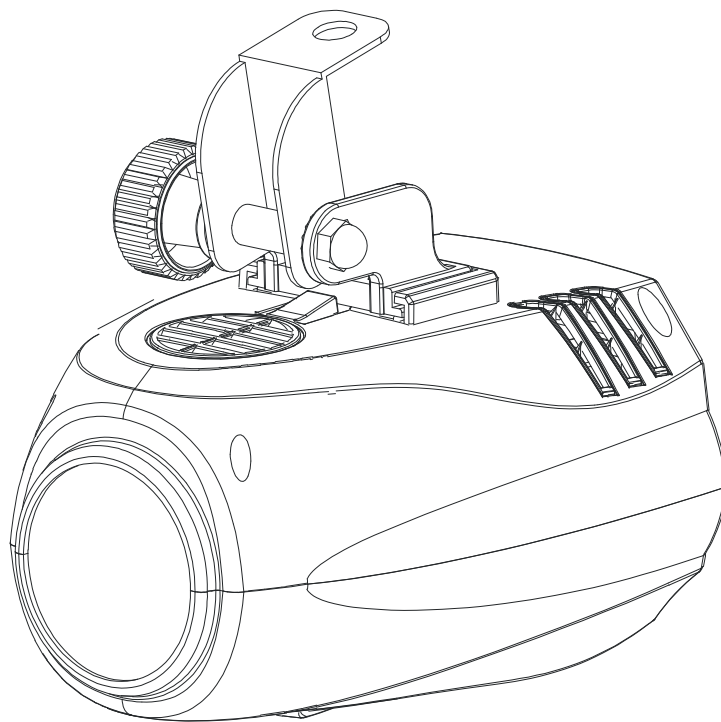


ACME[®]

Super-Splash



LED-707-1W
(RGBA)

User Manual

Please read the instructions carefully before use

Contents

1. Safety Instructions.....	2
2. Technical Specifications.....	3
3. Panel.....	4
4. Troubleshooting	4
5. Cleaning And Maintenance	5

1. Safety Instructions



Please read the instructions carefully as they include important information about installation, operation and maintenance.

WARNING

Please keep this User Guide for future consultation. If you sell the unit to another user, be sure that they also receive this instruction booklet.

- Unpack and check carefully there is no transportation damage before using the unit.
- Before operating, ensure that the voltage and frequency of power supply match the power requirements of the unit.
- It's important to ground the yellow/green conductor to earth in order to avoid electric shock.
- The unit is for indoor use only. Use only in a dry location.
- The unit must be installed in a location with adequate ventilation, at least 50cm from adjacent surfaces. Be sure that no ventilation slots are blocked.
- Disconnect main power before replacement or servicing.
- Use safety cables when installing this unit.
- Maximum ambient temperature is T_a : 40 degrees C. DO NOT operate it where the temperature is higher than this.
- Turn off the power and allow about 5 minutes for the unit to cool down before servicing.
- In the event of a serious operating problem, stop using the unit immediately. Never try to repair the unit by yourself. Repairs carried out by unskilled people can lead to damage or malfunction. Please contact the nearest authorized technical assistance center. Always use the same type spare parts.
- DO NOT touch any cables during operation as high voltage may cause electric shock.

Warning:

- To prevent or reduce the risk of electrical shock or fire, do not expose the unit to rain or moisture.
- The housing and lenses must be replaced if they are visibly damaged.

Installation:

The unit should be mounted via its screw holes on the bracket. Always ensure that the unit is firmly fixed to avoid vibration and slipping while operating. Make sure that the structure to which you are attaching the unit is secure and is able to support a weight of 10 times of the unit's weight. Also always use a safety cable that can hold 12 times of the weight of the unit when installing the fixture.

The equipment must be installed by professionals. It must be installed in a place where is out of the reach of people and no one can pass by or under it.

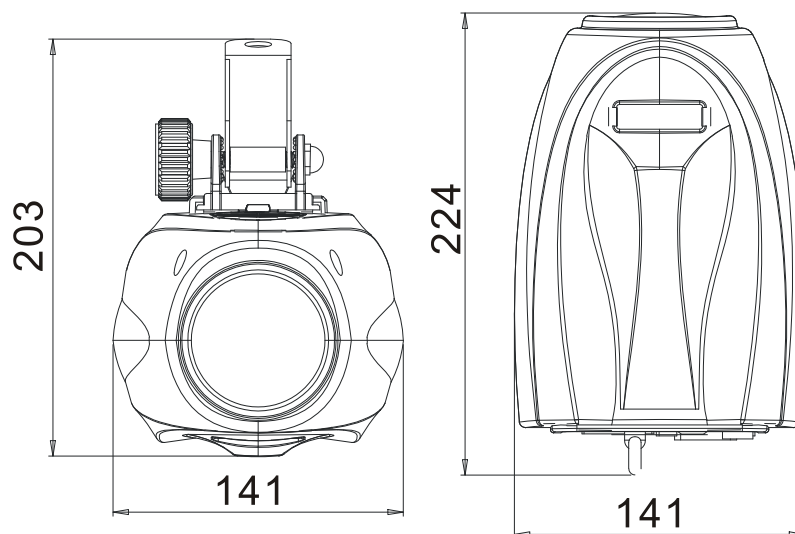
2. Technical Specifications

Built-in programs triggered by the music

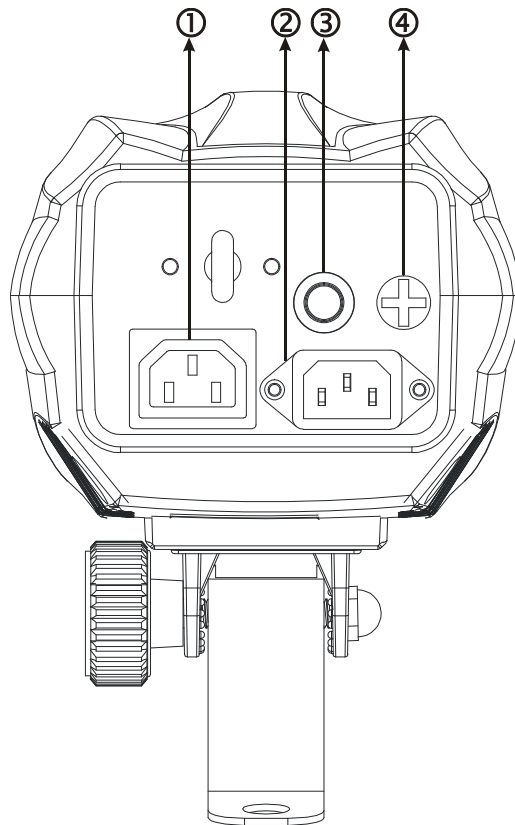
- **Power Voltage:** AC 100V~240V, 50/60Hz
- **Power Consumption:** 20W
- **Power Cable Daisy Chains:** 29 Fixtures Max. (230V, 50Hz)
19 Fixtures Max. (120V, 60Hz)
- **LED Sources:** 9 × 1W RGBA LEDs (LED-707-1W)
(R: 2pcs; G: 2pcs; B: 2pcs; A: 3pcs)

Weight: 1.4Kgs

- **Dimensions:** 224 × 141 × 203mm



3. Panel



- 1. POWER OUT:** Connects to the next fixture.
- 2. POWER IN:** Connects to supply power.
- 3. MICROPHONE:** Used to receive music for sound activation.
- 4. FUSE (T 1A):** Protects the unit from over-voltage or short circuit.

4. Troubleshooting

If the fixture has no light output check the connection of the power cable and the fuse.

5. Cleaning And Maintenance

Cleaning must be carried out periodically to optimize light output. Cleaning frequency depends on the environment in which the fixture operates: moist, smoky or particularly dirty surrounding can cause a greater accumulation of dirt on the fixture.

- Clean with a lint-free cloth using normal glass cleaning liquid or mild soapy water.
- Always dry the parts carefully.
- Clean the surface at least every 30 days.
- Never use alcohol or solvents.

Declaration of Conformity

We declare that our products (lighting equipments) comply with the following specification and bears CE mark in accordance with the provision of the Electromagnetic Compatibility (EMC) Directive 2004/108/EC.

EN55103-1: 2009 ; EN55103-2: 2009;
EN61000-3-2: 2006 + A1:2009 + A2:2009; EN61000-3-3: 2008.

&

Harmonized Standard

EN 60598-1:2008 + All:2009; EN 60598-2-17:1989 + A2:1991;
EN 62471:2008; EN 62493: 2010
Safety of household and similar electrical appliances
Part 1: General requirements

Innovation, Quality, Performance