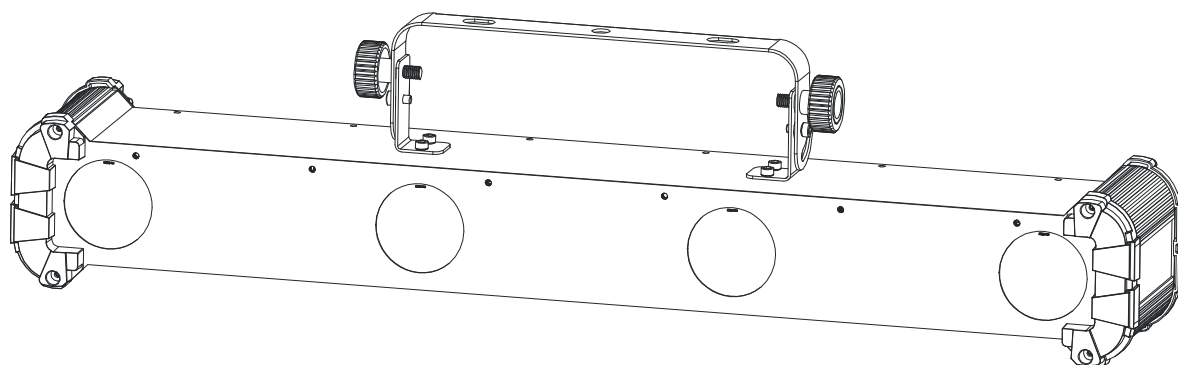




VOGUE



LED-7474-1W

User Manual

Please read the instruction carefully before use

CONTENTS

1. Safety Instructions.....	2
2. Technical Specifications.....	3
3. How To Set The Unit.....	4
3.1 Control Panel.....	4
3.2 Main Function	5
4. How To Control The Unit.....	8
4.1 Master/Slave Built In Pre-program Function.....	9
4.2 Easy CA-8 Controller.....	9
4.3 DMX Controller.....	9
5. DMX 512 Configuration	10
6. DMX512 Connection	10
7. Troubleshooting	11
8. Fixture Cleaning.....	12

1. Safety Instructions



WARNING

Please read carefully the instruction, which includes important information about the installation, usage and maintenance.

Please keep this User Guide for future consultation. If you sell the unit to another user, be sure that they also receive this instruction booklet.

- Unpack and check carefully there is no transportation damage before using the unit.
- Before operating, ensure that the voltage and frequency of power supply match the power requirements of the unit.
- It's important to ground the yellow/green conductor to earth in order to avoid electric shock.
- The unit is for indoor use only. Use only in a dry location.
- The unit must be installed in a location with adequate ventilation, at least 50cm from adjacent surfaces. Be sure that no ventilation slots are blocked.
- Disconnect main power before replacement or servicing.
- Make sure there are no flammable materials close to the unit while operating as it is fire hazard.
- Use safety cables when fixing this unit.
- Maximum ambient temperature is T_a : 40 degrees C. DO NOT operate it where the temperature is higher than this.
- Turn off the power and allow about 15 minutes for the unit to cool down before servicing.
- In the event of a serious operating problem, stop using the unit immediately. Never try to repair the unit by yourself. Repairs carried out by unskilled people can lead to damage or malfunction. Please contact the nearest authorized technical assistance center. Always use the same type spare parts.
- DO NOT touch any cables during operation as high voltage may cause electric shock.

Warning:

- To prevent or reduce the risk of electrical shock or fire, do not expose the unit to rain or moisture.
- The housing and lenses must be replaced if they are visibly damaged.

Caution:

There are no user serviceable parts inside the unit. Do not open the housing or attempt any repairs yourself. In the unlikely event your unit may require service, please contact your nearest dealer.

Installation:

The unit should be mounted via its screw holes on the bracket. Always ensure that the unit is firmly fixed to avoid vibration and slipping while operating. **Make** sure that the structure to which you are attaching the unit is secure and is able to support a weight of 10 times of the unit's weight. Also always use a safety cable that can hold 12 times of the weight of the unit when installing the fixture.

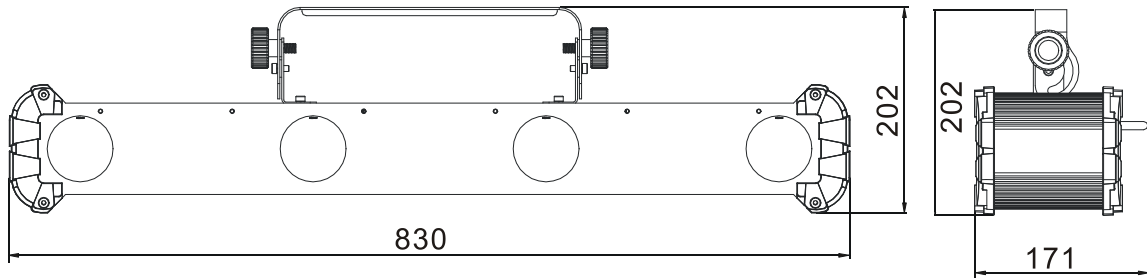
The equipment must be installed by professionals. It must be installed at a place where is out of the reach of people and no one pass by or under it.

2. Technical Specifications

- ◇ High-powered LEDs delivering outstanding, multi-beam effects
- ◇ 1 DMX channel mode for built-in lighting shows
- ◇ 3 operation modes: DMX, Master/Slave, Sound Active
- ◇ Great built-in programs in Master/Slave mode triggered by music
- ◇ Optional CA-8 controller for instant lighting shows
- ◇ Ideal for clubs, bars, discos, parties and mobile DJs

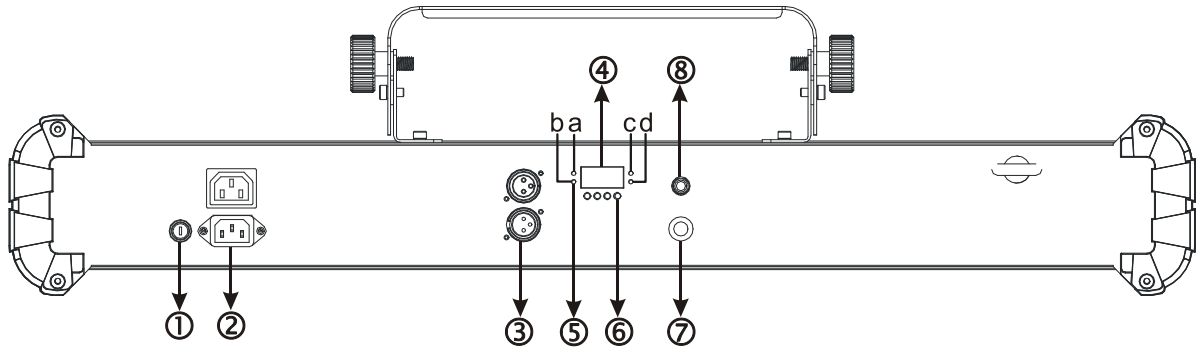
- ◇ **Power Voltage:** AC 100V~240V, 50/60Hz
- ◇ **Power Consumption:** 66W
- **Power Cable Daisy Chains:** 10 Fixtures Max. (230V, 50Hz)
6 Fixtures Max. (120V, 60Hz)
- ◇ **LED Sources:** 36pcs × 1W RGB[°] LEDs
(R: 8pcs; G: 8pcs; B: 8pcs; ° : 12pcs)
- ◇ **Beam Angle:** 5°

- ◇ **Weight:** 5Kgs
- ◇ **Dimension:** 830 × 171 × 202mm



3. How To Set The Unit

3.1 Control Panel



1. **FUSE (T 6.3A):** Protects the unit from over-voltage or short circuit
2. **POWER IN/OUT:** Connects to power supply.
3. **DMX IN/OUT:** DMX512 link, use 3-pin XLR cable to link the unit and the DMX controller
4. **DISPLAY:** Shows the various menus and the selected functions.
5. **LED:**

a. DMX	On	DMX input present
b. MASTER	On	Master Mode
c. SLAVE	On	Slave Mode
d. SOUND	Flashing	Sound activation

6. BUTTON:

MENU	To select the programming functions
▼ DOWN	To go backward in the selected functions
▲ UP	To go forward in the selected functions
ENTER	To confirm the selected functions

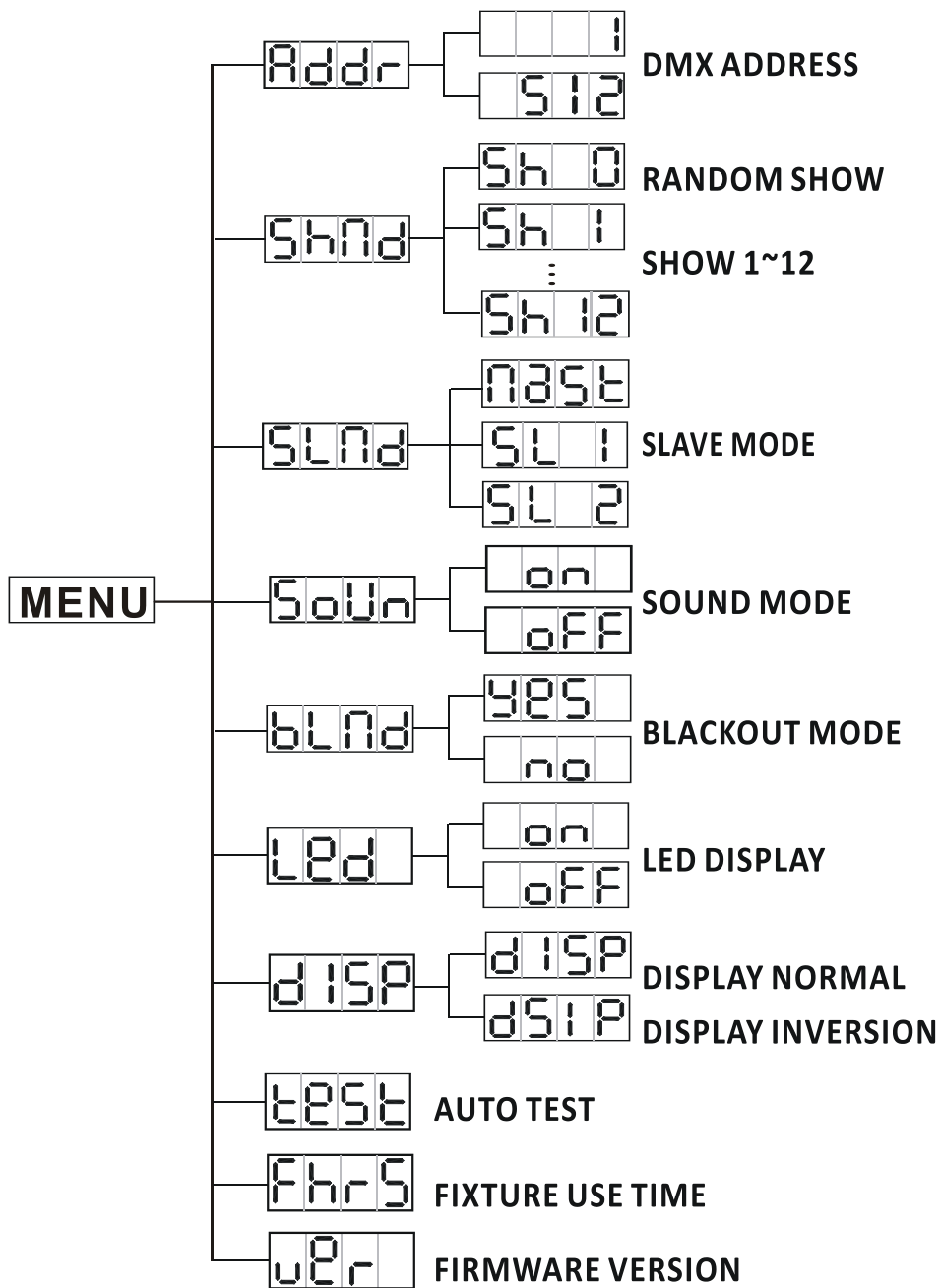
7. MICROPHONE: Receives music signals for sound active mode

8. ONLY FOR REMOTE CONTROL: Connects with the optional CA-8 to control the unit

3.2 Main Function

To select any of the given functions, press the **MENU** button up to the required selection as shown on the display. Select the function by the **ENTER** button and the display will blink. Use the **DOWN/UP** buttons to change the mode. Once the required mode has been selected, press the **ENTER** button to confirm, to go back to the main function without any change press the **MENU** button again. Press and hold the **MENU** button about one second or wait for 7 seconds to exit the current mode.

The main functions are shown below:



Addr DMX 512 ADDRESS

To select the **Addr**, press the **ENTER** button to show **DMX ADDRESS** on the display. Use the **DOWN/UP** buttons to adjust the address from **1** to **512**. Once the address has been selected, press the **ENTER** button to select, to go back to the functions without any changes press the **MENU** button again. Press and hold the **MENU** button for about one second or wait for 7 seconds to exit the current mode.

SHNd SHOW MODE

To select **SHNd**, press the **ENTER** button to show **SHOW MODE** on the display. Use the **DOWN/UP** buttons to select **SH0** (Random show), **SH1** (Show 1) up to **SH12** (Show 12) mode. Once the mode has been selected, press the **ENTER** button to setup, to go back to the functions without any changes press the **MENU** button again. Press and hold the **MENU** button for about one second or wait for 7 seconds to exit the current mode.

SLNd SLAVE MODE

To select **SLNd**, press the **ENTER** button to show **SLAVE MODE** on the display. Use the **DOWN/UP** buttons to select **SL0**(master), **SL1** (Slave 1), **SL2** (Slave 2) mode. Once the mode has been selected, press the **ENTER** button to setup, to go back to the functions without any changes press the **MENU** button again. Press and hold the **MENU** button for about one second or wait for 7 seconds to exit the current mode.

SoUn SOUND MODE

To select **SoUn**, press the **ENTER** button to show **SOUND MODE** on the display. Use the **DOWN/UP** buttons to select **on** (sound on) or **off** (sound off) mode. Once the mode has been selected, press the **ENTER** button to setup, to go back to the functions without any changes press the **MENU** button again. Press and hold the **MENU** button for about one second or wait for 7 seconds to exit the current mode.

BLNd BLACKOUT MODE

To select **BLNd**, press the **ENTER** button to show **BLACKOUT MODE** on the display. Use the **DOWN/UP** buttons to select **YES** (blackout) or **no** (normal) mode. Once the mode has been selected, press the **ENTER** button to setup, to go back to the functions without any changes press the **MENU** button again. Press and hold the **MENU** button for about one second or wait for 7 seconds to exit the current mode.

LEd LED DISPLAY

To select **LEd**, press the **ENTER** button to show **LED DISPLAY** on the display. Use the

DOWN/UP buttons to select **on** (LED on) or **off** (LED off) mode. Once the mode has been selected, press the **ENTER** button to setup, to go back to the functions without any changes press the **MENU** button again. Press and hold the **MENU** button for about one second or wait for 7 seconds to exit the current mode.

DISP DISPLAY INVERSE

To select **DISP**, press the **ENTER** button to show **DISPLAY** on the display, and press the **ENTER** button again, it will show the **DISP** (inversion). To go back to the functions without any changes press **MENU** button.

TEST AUTO TEST

To select **TEST**, press the **ENTER** button to show **TEST** on the display and the unit will run a self-test . To go back to the functions without any changes press the **MENU** button again. Press and hold the **MENU** button for about one second or wait for 7 seconds to exit the current mode.

Fhrs FIXTURE HOURS

To select **Fhrs**, press the **ENTER** button to show **FIXTURE HOURS** on the display and the display will show the number of working hours of the unit . To go back to the functions without any changes press the **MENU** button again. Press and hold the **MENU** button for about one second or wait for 7 seconds to exit the current mode.

ver SOFTWARE VERSION

To select **ver**, press the **ENTER** button to show **SOFTWARE VERSION** on the display and the display will show the version of software of the unit . To go back to the functions without any changes press the **MENU** button again. Press and hold the **MENU** button for about one second or wait for 7 seconds to exit the current mode.

4. How To Control The Unit

You can operate the unit in three ways:

1. Master/slave built-in preprogram function

- 2. Easy controller (optional CA-8)
- 3. Universal DMX controller

You do not need to turn the unit off when you change the DMX address, the new DMX address setting will take effect immediately.

4.1 Master/Slave Built In Preprogrammed Function

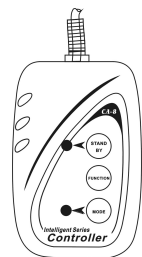
By linking the units in master/slave connection, the first unit will control the other units to give an automatic, sound activated, synchronized light show. This function is good when you want an instant show. You have to set the first unit in master mode and select **Sh 0** (random show) or **Sh 1** (show 1) or... or **Sh 12** (show 12) mode. Any other units will have to be set in slave mode **SLnd** and select **SL 1** (normal) or **SL 2** (2-light show) mode.

2-light show

In **SLnd** (slave mode), **SL 1** means the unit works normally and **SL 2** means 2-light show. In order to create a great light show, you can set **SL 2** on the second unit to get contrast movement to each other.

4.2 Easy Controller

The easy CA-8 remote control is used only in master/slave mode. By connecting to the 1/4" jack socket of the first unit. You will find that the remote control in the first unit will control all the other units for Stand by, Function and Mode selection.



Blackout	Blackout the unit	
Function	Strobe 1. Synchronous strobe 2. Sound strobe in 3. Sound strobe in color	Select Show Show 1~12
Mode	Sound (LED OFF)	Show (LED ON)

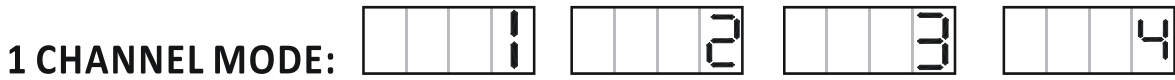
4.3 DMX Controller

By using a universal DMX controller to control the units, you must set a DMX address from 1 to 512.

Press the **MENU** button up to when **Addr** is showing on the display. Press the **ENTER** button

and the display will blink. Use the **DOWN/UP** buttons to change the DMX512 address. Once the address has been selected, press and hold the **ENTER** button until the display stops blinking or it will store automatically after 7 seconds. To go back to the functions without any changes press the **MENU** button again.

Please refer to the following diagram to address your DMX512 channel for the first 4 units:

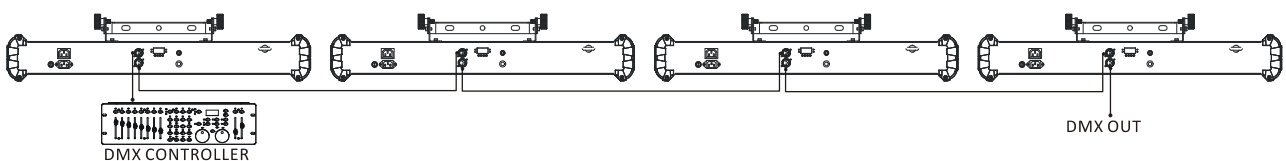


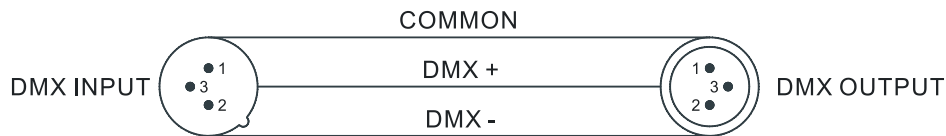
5. DMX 512 Configuration

1 Channels Mode:

1 Channel Mode	
Ch 1	
SHOW	
248-255	Random show
228-247	Show 12
208-227	Show 11
188-207	Show 10
168-187	Show 9
148-167	Show 8
128-147	Show 7
108-127	Show 6
088-107	Show 5
068-087	Show 4
048-067	Show 3
028-047	Show 2
008-027	Show 1
000-007	No Function

6. DMX512 Connection





Termination reduces signal errors and to avoid signal transmission problems and interference. It is always advisable to connect a DMX terminal. (Resistance 120 ohm 1/4W) between pin2(DMX-) and pin3(DMX+) of the last fixture.

1. If you using a controller with 5 pins DMX output, you need to use a 5 to 3 pin adapter-cable.
2. The last units DMX cable has to be terminated with a 120 ohm 1/4W resistor between pin 2(DMX-) and pin 3(DMX+) of a 3-pin XLR-plug and plug it in the DMX-output of the last unit.
3. Connect the unit together in a `daisy chain` by XLR plug from the output of the unit to the input of the next unit. The cable can not branched or split to a `Y` cable. The DMX output and input connectors are pass-through to maintain the DMX circuit, when one of the units' power is disconnected.
4. Each fixture unit needs to have an address set to receive the data sent by the controller. The address number is between 0-512 (usually 0 & 1 are equal to 1).
5. The end of the DMX 512 system should be terminated to reduce signal errors.
6. 3 pin XLR connectors are more popular than 5 pin XLR.
 - 3 pin XLR: Pin 1: GND, Pin 2: Negative signal (-), Pin 3: Positive signal (+)
 - 5 pin XLR: Pin 1: GND, Pin 2: Negative signal (-), Pin 3: Positive signal (+)
 - Pin 4/Pin 5: Not used.

7. Troubleshooting

Following are a few common problems that may occur during operation. Here are some suggestions for easy troubleshooting:

A. The unit does not work, no light and the fan does not work

1. Check the connection of power and main fuse.
2. Check the power on LED.

B. Not responding to DMX controller

1. DMX LED should be on. If not, check DMX connectors and cables to see if linked properly.
2. If the DMX LED is on but no response check the address settings and DMX polarity.
3. If you have intermittent DMX signal problems check the cables on connectors.
4. Try to another DMX controller.
5. Check if the DMX cables run near or run alongside high voltage cables that may cause interference to DMX circuits.

C. No response to the sound

1. Make sure the unit is set into the correct mode.
2. Check the microphone to see if it is good by tapping it.
3. Make sure the fixture is not set into Blackout mode

8. Fixture Cleaning

The cleaning must be carried out periodically to optimize light output. Cleaning frequency depends on the environment in which the fixture operates: damp, smoky or particularly dirty surrounding can cause greater accumulation of dirt on the unit's optics.

- Clean with soft cloth using normal glass cleaning fluid.
- Always dry the parts carefully.
- Clean the external optics at least every 30 days.

Declaration of Conformity

We declare that our products (lighting equipments) comply with the following specification and bears CE mark in accordance with the provision of the Electromagnetic Compatibility (EMC) Directive 89/336/EEC.

EN55103-1: 2009 ; EN55103-2: 2009; EN62471: 2008;
EN61000-3-2: 2006 + A1:2009 + A2:2009; EN61000-3-3: 2008.

&

Harmonized Standard

EN 60598-1:2008 + All:2009; EN 60598-2-17:1989 + A2:1991;
EN 62471:2008; EN 62493: 2010
Safety of household and similar electrical appliances
Part 1: General requirements

Innovation, Quality, Performance